

**ENGLISH**

**DEUTSCH**

**FRANÇAIS**

**SVENSKA**



# **CORDLESS GRASS TRIMMER**

**SAVE THESE INSTRUCTIONS.** This manual contains important safety precautions which should be read and understood before operating the product. Failure to do so could result in serious injury. This manual should remain with the product.

Specifications, descriptions and illustrations in this manual are as accurate as known at the time of publication, but are subject to change without notice.

## PRODUCT SPECIFICATIONS

<b>Cordless Grass Trimmer</b>	
Type	Cordless battery-operated
Voltage	60Vdc
Battery Pack	BP8302
String cutting width	14/16in
String Diameter	0.08" (2.0mm)
Speed	4300/6000RPM

## GENERAL SAFETY RULES

 **WARNING**

**Read all safety warnings and instructions.** Failure to follow the warnings and instructions in this manual may result in injury to people, damage to property and/or serious injury/death. Save all warnings and instructions for future reference. The term “power tool” in the warnings refers to your mains-operated (corded) power tool or battery-operated (cordless) power tool.

- Do not operate power tools in explosive atmospheres, such as in the presence of flammable liquids, gases, or dust. Power tools create sparks which may ignite the dust or fumes.
- Never allow children or untrained individuals to operate this tool.
- Don't expose power tools to rain or wet conditions. Water entering a power tool will increase the risk of electric shock.
- Do not handle plug or tool with wet hands always wear gloves.
- Never allow children under 16 years old to operate this equipment. Never allow adults to operate the equipment without proper instruction.
- Always wear safety glasses and suitable ear protection with side shields marked to comply with ANSI 287.1. Everyday glasses are not classed as safety glasses. This will reduce the risk of eye injury. Use face mask if operation or area is dusty.
- Secure long hair above shoulder level to prevent entanglement in moving parts.
- Do not expose to damp or wet conditions including rain or snow.
- Do not operate in poor lighting only in daylight.
- Keep all parts of your body away from any moving part at all times.
- Keep hair, loose clothing, fingers and all body parts away from openings and moving parts.
- Wear heavy long pants, boots, and gloves. Avoid loose garments or jewelry that could get caught in moving parts of the machine or its motor.

- Do not force tool. Use the correct tool for your application. The correct tool will do the job better and safer at the rate for which it is designed.
- Do not operate the equipment while barefoot or when wearing sandals or similar lightweight footwear. Wear protective footwear that will protect your feet and improve your footing on slippery surfaces.
- Keep firm footing and balance. Do not overreach. Overreaching can result in loss of balance.
- Do not allow to be used as a toy. Close attention is necessary when used by or near children.
- Do not use tool if switch does not turn it on or off. Any tool that cannot be controlled with the switch is dangerous and must be repaired or replaced.
- Keep all bystanders, children, and pets at least 50 ft. away from flying debris.
- Do not operate this unit when you are tired, ill or under the influence of alcohol, drugs or Medication.
- Keep all parts of your body away from any moving parts and all hot surfaces of the unit.
- Do not put any object into openings. Do not use with any opening, blocked; keep openings free of dust, lint, hair, and anything that may reduce air flow.
- Check the work area before each use. Remove all objects such as rocks, broken glass, nails, wire, or string which can be thrown or become entangled in the machine.
- Use only identical manufacturer's replacement parts and accessories. Use of any other parts may create a hazard or cause product damage.
- Do not charge or operate cordless tools in damp or wet conditions including rain or snow. Following this rule will reduce the risk of electric shock and accidents.
- Cordless tools do not have to be plugged into an electrical outlet; therefore, they are always in operating condition. Be aware of possible hazards when not using your cordless tool or when changing accessories. Following this rule will reduce the risk of electric shock, fire, or serious personal injury. If in doubt disconnect or remove battery first.
- Remove or disconnect battery before servicing, cleaning or removing material from the gardening appliance.
- Use only the specified OEM batteries never use non original batteries.

- Store idle appliances - When not in use, string trimmer should be stored indoors in a dry, locked place out of the reach of children like locked garage or shed.
- Do not dispose of the batteries in a fire. The cells may explode. Check with local codes for possible special disposal instructions.
- Do not open or mutilate the batteries. Released electrolyte is corrosive and may cause damage to the eyes or skin. It may be toxic if swallowed.
- Do not place cordless tools or their batteries near fire or heat. This will reduce the risk of explosion and possible injury.
- Batteries can explode in the presence of a source of ignition, such as a pilot light. To reduce the risk of serious personal injury, never use any cordless product in the presence of open flame. An exploding battery can propel debris and chemicals. If exposed, flush with water immediately and seek medical advice.
- Do not crush, drop or damage battery pack. Do not use a battery pack or charger that has been dropped or received a sharp blow. A damaged battery is subject to explosion. Properly dispose of a dropped or damaged battery immediately.
- Exercise care in handling batteries in order not to short the battery with conducting materials such as rings, bracelets and keys. The battery or conductor may overheat and cause burns.
- For best results, your battery should be charged in a location where the temperature is more than 45 degrees but less than 104 degrees. To reduce the risk of serious personal injury, never store batteries outside or in vehicles.
- Under extreme usage or temperature conditions, battery leakage may occur. If liquid comes in contact with your skin, wash immediately with soap and water, then neutralize with lemon juice or vinegar. If liquid gets into your eyes, flush them with clean water for at least 10 minutes, then seek immediate medical attention. Following this rule will reduce the risk of serious personal injury.
- If the power supply cord is damaged, it must be replaced only by the manufacturer or by an authorized service center to avoid risk.
- Never point the string trimmer in the direction of people, pets or animals by doing so will void any warranty offered.
- Maintain tool with care. Keep vents clean for best and safest performance. Follow instructions for proper maintenance. Do not attempt to clear clogs from tool without first disconnecting the battery.
- To reduce the risk of electrical shock, do not expose motor or electric parts to moisture, do not use on wet surfaces. Always store indoors.
- Use Right Appliance - Do not use appliance for any other job except that for which it is intended.
- Avoid Unintentional Starting - Do not carry string trimmer with fingers on the switch. Be sure the battery is disconnected or removed while transporting.
- Check Damaged Parts - Before further use of the appliance, a guard or other part that is damaged should be carefully checked to determine that it will operate properly and perform its intended function. Check for alignment of moving parts, binding of moving parts, breakage of parts, mounting, and any other condition that may affect its operation. A guard or other part that is damaged should be properly repaired or replaced by an authorized service center unless indicated elsewhere in this manual.
- Save these instructions. Refer to them frequently and use them to instruct others who may use this power tool. If you loan someone this power tool, loan them these instructions also.

#### CHILD SAFETY

- Tragic accidents can occur if the operator is not aware of the presence of children.
- Keep children out of the working area and under the watchful care of a responsible adult.
- Do not allow children under the age of 16 to operate this trimmer. Children who are 16 years of age and older must read and understand the operating instructions and safety rules in this manual and must be trained and supervised by a parent or supervisor.
- Stay alert and turn the trimmer off if a child or any other person enters the working area.
- Always look behind and down for small children before and while cutting backwards.
- Use extreme care when approaching blind corners, doorways, shrubs, trees, or other objects that may obscure your view of a child who may run into the path of the trimmer.










#### WARNING

To avoid serious personal injury, do not attempt to use this product until you have read this Owner's Manual thoroughly and understand it completely. If you do not understand the warnings and instructions in this Owner's Manual, do not use this product and seek advice.

The operation of any power tool can result in foreign objects being thrown into your eyes, which can result in severe eye damage. Before operating a power tool, always wear (PPE) safety goggles, safety glasses with side shields, or a full face shield and ear protection when needed. We recommend a Wide Vision Safety Mask for use over eyeglasses or standard safety glasses with side shields. Always use eye protection that is marked to comply with ANSI Z87.1

## SYMBOLS

Some of the following symbols may be used on this product. Please study them and learn their meaning. Proper interpretation of these symbols will allow you to operate the product better and safer.

SYMBOL	MEANING
	<b>Warning</b>
	<b>Read The Operator's Manual.</b> Read and follow all safety precautions in the owner's manual. Failure to follow to instruction could result in serious injury to user
	<b>Protective goggles/visor, protective helmet &amp; hearing protection.</b>
	<b>Wet Conditions Alert.</b> Do not expose to rain or use in damp locations
	<b>Ricochet.</b> Thrown objects can ricochet and result in personal injury or property damage
/Min	<b>Per minute.</b> Revolutions, strokes, surface speed, orbits etc., per minute.
	<b>Class II Construction.</b> Double-insulated construction
	<b>No Blade.</b> Do not install or use any type of blade on a product or displaying this symbol.
V	<b>Volts</b>
A	<b>Amperes</b>
Hz	<b>Hertz</b>
W	<b>Watts</b>
Min	<b>Minutes</b>
~	<b>Alternating Current</b>
	<b>Direct Current</b>
	<b>Keep Bystanders Away</b>

The following signal words and meanings are intended to explain the levels of risk associated with this product.

**DANGER**

DANGER indicates a hazardous situation which, if not avoided, will result in death or serious injury.

**WARNING**

WARNING indicates a hazardous situation which, if not avoided, could result in death or serious injury.

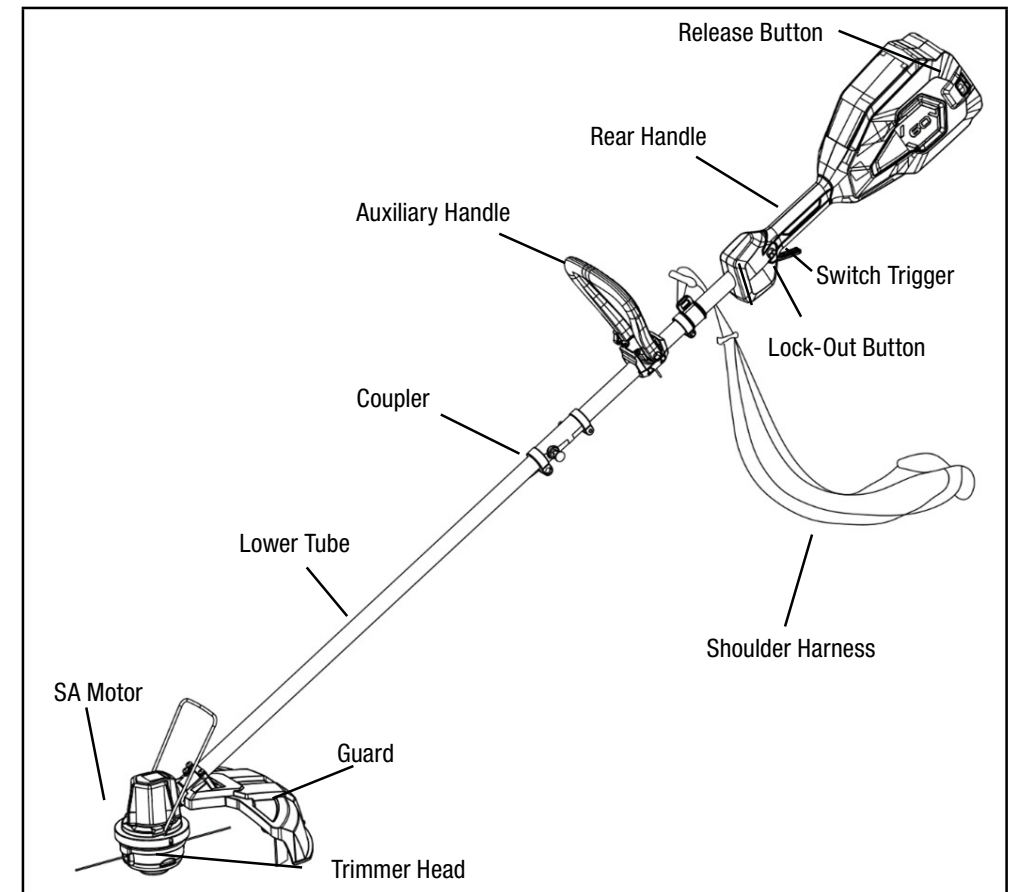
**CAUTION**

CAUTION indicates a hazardous situation which, if not avoided, could result in minor or moderate injury.

**CAUTION**

(Without Safety Alert Symbol) Indicates a situation that may result in property damage.

## KNOW YOUR TRIMMER



## KNOW YOUR TRIMMER

The safe use of this product requires an understanding of the information on the product and in this operator's manual as well as a knowledge of the project you are attempting. Before use of this product, familiarize yourself with all operating features and safety rules.

### AUXILIARY HANDLE

The string trimmer is equipped with an auxiliary handle and shoulder harness for ease of operation and to prevent loss of control.

### GUARD

The trimmer includes a guard that helps protect you from flying debris

### UNPACKING

This product requires assembly.

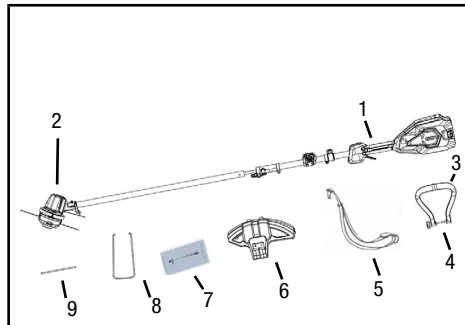
- Carefully remove the product and any accessories from the box. Make sure that all items listed in the packing list are included.
- Inspect the tool carefully to make sure no breakage or damage occurred during shipping.
- Do not discard the packing material until you have carefully inspected and satisfactorily operated the tool

### ⚠ WARNING

Do not use this product if any parts on the packing list are already assembled to your product when you unpack it. Parts on this list are not assembled to the product by the manufacturer and require customer installation. Use of a product that may have been improperly assembled could result in serious personal injury. Tools are not provided for assembly.

### PACKING LIST

1. Rear handle (W/PCB)
2. String trimmer head (W/motor)
3. Auxiliary handle
4. Auxiliary handle screws
5. Shoulder harness
6. Guard
7. Operator's manual
8. Flower protector
9. Tool bar



## ASSEMBLY

### ⚠ WARNING

If any parts are damaged or missing, do not operate this product until the parts are replaced. Use of this product with damaged or missing part could result in serious personal injury.

### ⚠ WARNING

Do not attempt to modify this product or create accessories not recommended for use with this grass trimmer. Any such alteration or modification is misuse and could result in a hazardous condition leading to possible serious personal injury and will result in warranty being voided

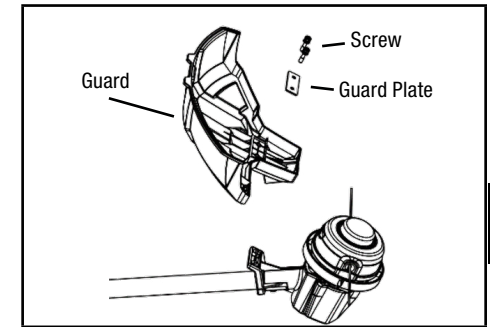
### ⚠ WARNING

Do not connect to power supply until assembly is complete. Failure to comply could result in accidental starting and possible serious personal injury

### ATTACHING THE GUARD

**NOTE:** Install the guard before the attachment is connected to the rear handle.

- Remove the battery.
- Invert the string trimmer to access the trimmer head.
- Using a Phillips head screwdriver, remove the pre-installed screws from the trimmer head.
- Place the guard on to the trimmer head and slide the guard onto the head by following the track on the head
- Align the screw holes on the guard with the screw holes on the trimmer head.
- Insert the screws into the trimmer head, fastening the guard in place.



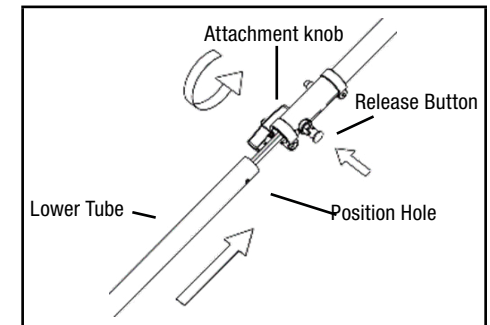
### ⚠ WARNING

Read and understand entire Operator's Manual for each optional attachment used on this power head and follow all warnings and instructions. Failure to follow all instructions may result in electric shock, fire and/or serious personal injury.

### ⚠ WARNING

Never install, remove, or adjust any attachment while power head is running. Failure to stop the motor can cause serious personal injury. Never operate power head without an attachment

Installing the string trimmer head (lower tube) to the rear handle



**NOTE:** When using string trimmer head, use only .080 Inch (2mm) diameter line.

The attachment connects to the rear handle (upper tube) by means of a coupler device.

- Loosen the attachment knob on the coupler.
- Push in the release button located on the attachment shaft. Align the button with the guide recess on the power head coupler and slide the two shafts together. Rotate the attachment shaft until the button locks into the positioning hole.

**NOTE:** If the button does not release completely in the positioning hole, the shafts are not locked into place. Slightly rotate from side to side until the securing button is locked into place.

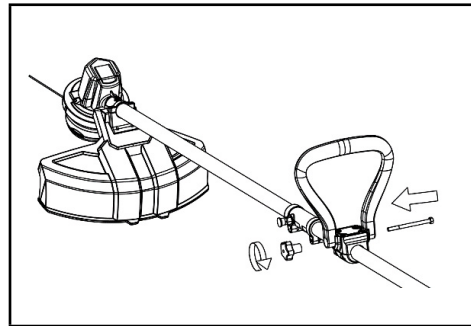
Tighten the attachment knob securely.

**REMOVING THE LOWER TUBE FROM THE REAR HANDLE (UPPER TUBE)**

For removing or changing the attachment:

- Stop the tool.
- Remove the battery from the rear handle.
- Loosen the attachment knob.
- Push in the release button and twist the shafts to remove and separate ends

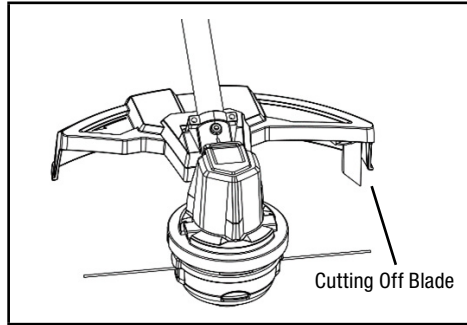
**ATTACHING THE AUXILIARY HANDLE**



- Press the auxiliary handle onto the power head shaft so that the handle is angled toward the rear handle that allows for comfortable operation.
- Slide the bolts through the holes in the auxiliary handle and tighten them securely with a Phillips Head screwdriver (Not Included).

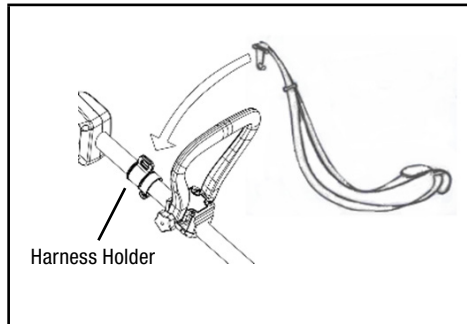
**LINE TRIMMING CUT-OFF BLADE**

The trimmer is equipped with a line trimming cut-off blade on the guard. Replace the string when trimming efficiency diminishes. This will maintain best performance



**ATTACHING A SHOULDER HARNNESS**

- Rotate the harness holder to the upward position.
- Hook a shoulder harness to the harness holder



**OPERATION**

**⚠ WARNING**

Read and understand entire Operator's Manual for each optional attachment used on this power head and follow all warnings and instructions. Failure to follow all instructions may result in electric shock, fire and/or serious personal injury.

**⚠ WARNING**

Do not use any attachments or accessories not recommended by the manufacturer of this product. The use of attachments or accessories not recommended can result in serious personal injury and will void any warranty offered.

**⚠ WARNING**

Any contact with the attachment cutting head can result in burns and/or other serious personal injury.

**⚠ WARNING**

Read the safety information for safe operation when using a blade attachment and refer to the safety rules and instructions in your attachment manual. Never use a brush cutter attachment with this electric powerhead. Improper operation of a blade or any attachment could result in serious injury.

**LOCK-OUT BUTTON**

The safety lock-out button reduces the possibility of accidental starting. The lock-out button is located on the handle beside the switch trigger. The lock-out button must be depressed before you pull the switch trigger. The lock resets each time the trigger is released.

**STARTING AND STOPPING THE TRIMMER**

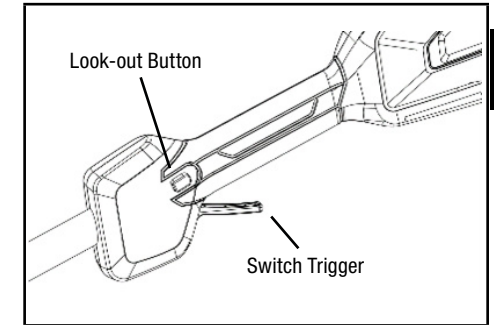
**To start:**

- Insert the battery pack into rear handle. (Fully charge before first use)
- Depress the lock-out button and squeeze the switch trigger.

- The speed will be increased according to the load, and the LED will show the working state.

**To stop:**

- Release the switch trigger.

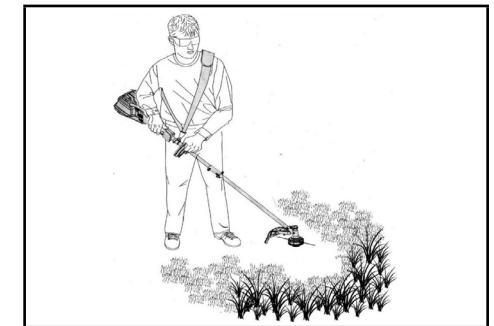


EN

**OPERATING THE TRIMMER**

Hold the rear handle with your right hand on the rear handle and your left hand on the auxiliary handle. Keep a firm grip with both hands while in operation. Rear handle should be held at a comfortable position with the rear handle about hip height.

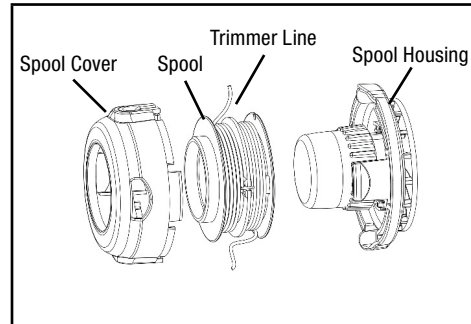
Always operate rear handle at full throttle. If debris becomes wrapped around the attachment, release the switch trigger, and disconnect battery and then remove the tangled debris.



**REPLACE TRIMMER LINE**

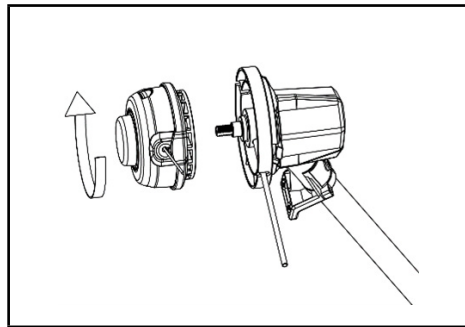
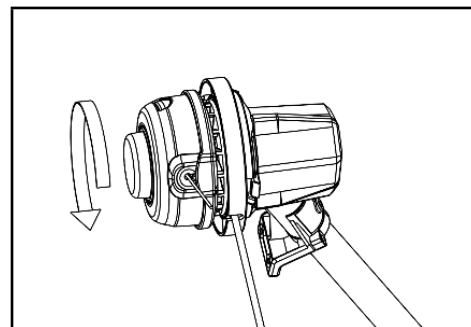
1. Firmly press in the tabs on each side of the spool cover.
2. Remove the spool cover from the spool housing.
3. Remove any excess trimmer line or obstructions from the spool.

- Use a clean cloth to wipe away any debris from the spool, spool cover, or spool housing.
- Replace new trimmer line onto the spool housing.
- Align the tabs of the spool cover with the posts on the spool housing. Push the spool cover until the tabs securely snap into the posts.



**REMOVING / REPLACING STRING HEAD**

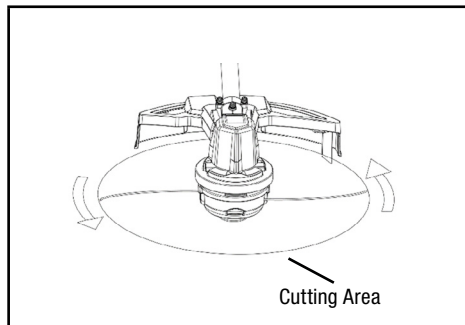
- Line up the spacer hole up with the hole in the motor housing.
- Place a small screw driver or metal rod (included) in the spacer hole.
- Rotate the head clockwise to loosen and remove.
- Reverse steps 1-3 to re-install the same string head.



*Note: If you put a different model string head on this unit please follow the manufacturer's instructions to install that head.*

**CUTTING TIPS**

- Keep the trimmer tilted toward the area being cut; this is the best cutting practice.
- The trimmer cuts when passing the unit from right to left. This will avoid throwing debris at the operator. Avoid cutting in the dangerous areas.
- Use the tip of string to do the cutting; do not force string head into uncut grass.
- Wire and picket fences cause extra string wear and breakage. Stone and brick walls, curbs, and wood may wear string rapidly.
- Avoid trees and shrubs. Tree bark, wood moldings, siding, and fence posts can easily be damaged by the string. (If long grass or brush needs to be cut change blade to metal).



**BATTERY CHARGER**

**SPECIFICATIONS**

Charger: C8360/C8362

Input: 120-240VAC, 50/60Hz, Max.3A

Output: 63VDC, Max.4.5A

Weight: 2.6 lbs (1.2kg)

A fully discharged battery pack will require the allotted time as stated in the battery manual. Plug the charger into an AC power outlet.

Insert the battery -into the charger.

This is a diagnostic charger. The Charger LED Lights will illuminate in specific order to communicate the current battery status. They are as follows:

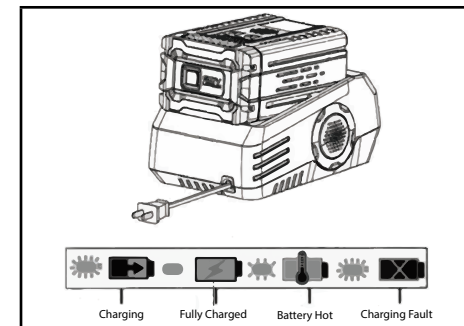
**False defect note:**

When the battery is inserted into the charger and the status LED blinks RED, remove the battery from the charger for 1 minute, then reinsert. If the status LED blinks GREEN, then the battery is properly charging. If the status LED is still blinking RED, remove the battery and unplug the charger for 1 minute. After 1 minute, plug in the charger and reinsert the battery. If the status LED blinks GREEN, then the battery is properly charging. If the status LED is still blinking RED, the battery is defective and needs to be replaced

**WARNING**

The battery is not shipped/transported fully charged. Fully charge the battery before first use to ensure that maximum run time can be achieved. This lithium-ion battery will not develop a memory and may be charged at any time.

**CHARGING PROCEDURE**



**CHECKING THE CHARGE**

If the battery pack does not charge properly:

Check the current at the power outlet with another tool. Make sure that the outlet is not turned off.

Check that the charger contacts have not been shorted by debris or foreign material.

If the air temperature is above 104°F or below 45°F, move the charger and battery pack to a room temperature location and allow to warm up slowly.

**WARNING**

If the battery is inserted into the charger when warm or hot, the **CHARGING LED** indicator light on the charger may switch on and illuminate **RED**. If this occurs allow the battery to cool inside of the charger for up to 30 minutes. Charging should automatically start once battery has cooled

LED STATUS	DESCRIPTION
Blinking Green	Charging
Solid Green	Fully charged
Solid Red	Stand by
Blinking Red (fast)	Charging fault
Blinking Red (slow)	Battery too hot

**Low voltage charging:**

If the battery has been stored with little to no charge for a long period of time, the charger will go into recovery mode, which will take more time to fully charge the battery. This will enhance the life of the battery. Once it is fully charged, the next charge will return to standard charging.

**CHARGER MOUNTING**

- This charger can be installed hanging on a wall using two #8 screws (not included).
- Locate the placement for the charger to be wall mounted.
- If fastening to wood studs use 2 wood screws (not included).

4. Drill two holes on center 5.5 in. apart ensuring that they are vertically aligned.
5. If fastening to drywall use wall anchors (not included) and screws to secure the charger to the wall.

Note: If the battery and the charger won't be used for a long time, remove the battery from the charger and pull out the AC power plug

**⚠ WARNING**

If the battery is inserted into the charger when warm or hot, the **CHARGING LED** indicator light on the charger may switch on and illuminate **RED**. If this occurs allow the battery to cool inside of the charger for up to 30 minutes. Charging should automatically start once battery has cooled

**Cleaning**

Remove the battery pack.

1. Brush or blow dust and debris out of the air vents using compressed air or a vacuum. Keep the air vents free of obstructions, sawdust, and wood chips. Do not spray, wash, or immerse the air vents in water.
2. Wipe off the housing and the plastic components using a moist, soft cloth. Do not use strong solvents or detergents on the plastic housing or plastic components. Certain household cleaners may cause damage, and may cause a shock hazard.

**Battery Pack**

1. Store the battery pack fully charged
2. Once the light on the charger turns solid green, remove the battery from the charger and disconnect the charger from the outlet.
3. Do not store the battery pack on the tool.
4. After charging, the battery pack may be stored in the charger, as long as the charger is not plugged in.

**Charger Maintenance**

Keep the charger clean and clear of debris. Do not allow foreign material to get into the recessed cavity or onto the contacts. Wipe the charger clean with a dry, soft cloth. Do not use solvents or water, and do not place the charger in wet conditions.

Unplug the charger when there is no battery pack in it.

Fully charge the batteries before placing them in storage.

Store the charger at normal room temperature. Do not store it in excessive heat. Do not use the charger in direct sunlight. Recharge at room temperature between 45° F and 104° F (7° C and 40° C). If the battery pack is hot, allow it to cool down inside of the charger. The battery will begin charging once it has returned to room temperature.

**ENVIRONMENTALLY SAFE BATTERY DISPOSAL**

**⚠ WARNING**

The following toxic and corrosive materials are in the batteries used in this blower.

Battery pack: Lithium-Ion, a toxic material.

**⚠ WARNING**

All toxic materials must be disposed of in a specified manner to prevent contamination of the environment. Before disposing of damaged or worn out Lithium-Ion battery packs, contact your local waste disposal agency, or the local Environmental Protection Agency for information and specific instructions. Take the batteries to a local recycling and/or disposal center, certified for lithium-ion disposal

**⚠ WARNING**

If the battery pack cracks or breaks, with or without leaks, do not recharge it and do not use. Dispose of it and replace with a new battery pack.

**DO NOT ATTEMPT TO REPAIR IT!**

To avoid injury and risk of fire, explosion, or electric shock, and to avoid damage to the environment:

- Cover the battery's terminals with heavy-duty adhesive tape
  - DO NOT** attempt to remove or destroy any of the battery pack components.
  - DO NOT** attempt to open the battery pack.
  - If a leak develops, the released electrolytes are corrosive and toxic. **DO NOT** get the solution in the eyes or on skin, and do not swallow it.
  - DO NOT** place these batteries in your regular household trash.
  - DO NOT** incinerate.
  - DO NOT** place them where they will become part of any waste landfill or municipal solid waste stream.
- Take them to a certified recycling or disposal center.



## MAINTENANCE

### WARNING

When servicing, use only identical replacement parts. Use of any other parts may create a hazard or cause product damage and will void any warranty offered.

### WARNING

Before inspecting, cleaning, or servicing the machine, shut off motor, wait for all moving parts to stop, and disconnect power supply. Failure to follow these instructions can result in serious personal injury or property damage and will void any warranty offered

### WARNING

Do not at any time let brake fluids, gasoline, petroleum-based products, penetrating lubricants, etc., come in contact with plastic parts. Chemicals can damage, weaken or destroy plastic which may result in serious personal injury and will void any warranty offered.

### STORING THE POWER HEAD

- Clean all foreign material from the product.
- Store it in a well-ventilated place that is inaccessible to children.
- Keep away from corrosive agents such as garden chemicals and de-icing salts.

### WARNING

Do not store the string trimmer or battery in sunlight, in an excessively warm place, or near a furnace. The battery and tool life will be shortened.

### GENERAL MAINTENANCE

Avoid using solvents when cleaning plastic parts. Most plastics are susceptible to damage from various types of commercial solvents and may be damaged by their use. Use clean cloth to remove dirt, dust, lubricant, grease, etc

**You can often make adjustments and repairs described here. For other repairs: have the power head serviced by an authorized service dealer.**

### CLEANING THE POWER HEAD

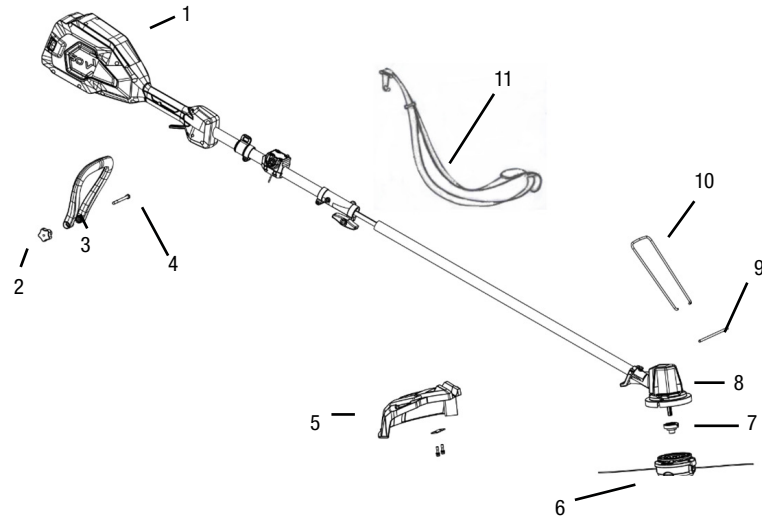
1. Stop the motor and remove the battery.
2. Clean dirt and debris from the power head using a damp cloth with a mild detergent

**Note:** Do not use any strong detergents on the plastic housing or the handle. They can be damaged by certain aromatic oils such as pine and lemon, and by solvents such as kerosene

## TROUBLESHOOTING

PROBLEM	POSSIBLE CAUSE	SOLUTION
Motor fails to start when switch trigger is depressed.	Battery is not secure.	To secure the battery pack, make sure the latches on the top of the battery pack snap into place.
	Battery is not charged.	Charge the battery pack according to the instructions included with your model.
String trimmer stops while cutting	The trimmer head is bound.	Stop the trimmer, remove the battery, and remove the grass from the trimmer head.
	The battery pack is too hot.	Remove the battery and allow it to cool in a cool; dry area.
	The battery pack is fully discharged.	Recharge the battery per the instructions in the battery manual
Line will not advance	There is not enough line in the spool.	Remove the battery and replace the trimmer line.
String trimmer is always at low speed	The trimmer line is too short, or the load is small	Knock the trimmer head to release the line, and the speed will be increasing according to the load
LED indicator of tool flash for 1-19 times, motor fails to start	Motor controller fault, or over temperature, or low battery, or over load, etc.	1.Release the trigger and restart the machine after 3-5s; or 2.stop the operation and cool the tool and battery; or 3.Charge the battery

## EXPLODED VIEW



Item #	Part #	Description	QTY
1	2800220014	Rear Handle	1
2	2800030016	Auxiliary handle	1
3	2800030003	Auxiliary handle screw	1
4	2800020003	Auxiliary handle knob	1
5	2800020005	Guard assemble	1
6	2800020001	String trimmer head	1
7	2800030037	Washer	1
8	2800020012	SA motor	1
9	2800030040	Tool bar	1
10	2800030041	Flower protector	1
11	2800030044	Shoulder harness	1

## WARRANTY PAGE

## Returns

We offer a no quibble 30 day money back guarantee for all goods shipped correctly that are not required. The buyer will be responsible for the return postage and packing charges and any original shipping charges are non refundable. Goods should be returned in a condition suitable for resale and where possible should be returned in their original packaging.

Goods which are manufactured specifically for an order and shipped correctly are not returnable.

If the wrong item is received it is the responsibility of the buyer to notify us in writing within 7 days of receipt. Arrangements will then be made for the incorrect item to be collected and a replacement item to be dispatched

## Warranty

## Warranty Qualifications

We at Warrior understand the importance of warranty for service & repair, we offer a standard 3 Year (Tools Only) & 1 year (Battery Only) warranty without the need for registering your purchase.

Please view the limitations below and read the full T&C's about the warranty offered on a particular product.

All we require is the either a copy of the original proof of purchase or an invoice supplied from retailer at the time of purchase to enable the claim to be raised. Please keep your proof of purchase safe for the duration of your terms, in the unfortunate event you need our technical support we will ask for this to be provided on each claim, NO proof of purchase any warranty claim will be delayed or rejected.

Transportation charges on any product or part(s) submitted for repair or replacement under this warranty are the sole responsibility of the purchaser. This warranty only applies to the original purchaser and is not transferable.

Do Not Return the Unit to the Place of Purchase

Contact Technical Support and we will troubleshoot any issue via phone or e-mail. If the problem or issue is not resolved by this method, we will, at its option, authorise an evaluation, repair or replacement of the defective product, part(s) or component at our own Service Centre workshop. If and when an product has to be replaced in most cases it will be on a like for like basis not old for new. We will provide you with a case number for warranty service and this can be monitored through your login account. Please keep it for future reference. Repairs or replacements without prior authorization, or at an unauthorized repair facility, will not be covered by this warranty. We do have warranty exclusions for customers outside the United Kingdom please see our full T&C's.

## Warranty Exclusions

## THIS WARRANTY DOES NOT COVER THE FOLLOWING:

## NORMAL WEAR

Your product needs periodic parts and service to perform well. This warranty does not cover repair when normal use has exhausted the life of a part or the equipment as a whole.

## INSTALLATION, USE AND MAINTENANCE

This warranty will be voided and (or) not apply to parts or labour if your product is deemed to have been misused, neglected, involved in an accident, abused, overloaded beyond the limits, modified, installed improperly or connected incorrectly to any electrical component or system for battery charging. Normal period maintenance is not covered by this warranty.

## Other Exclusions

This warranty excludes:

- cosmetic defects such as paint, decals, stickers or accessory tools
- service parts including blades, string, chains, bars or bags
- any electrical component other than main control unit like fuses, connectors, dials, knobs or levers.
- failures due to acts of God and other force majeure events beyond the manufacturer's control
- problems caused by parts that are not original
- alteration or modification(s) made by any party other than the manufacturer
- any third party electrical equipment
- All batteries supplied Over 1 Year Old.

## Limits of Implied Warranty and Consequential Damage

BPE Holdings (Warrior Eco Power Equipment) disclaims any obligation to cover any loss of time, use of this product, freight, or any incidental or consequential claim costs by anyone using this product.

THIS WARRANTY IS IN LIEU OF ALL OTHER WARRANTIES, EXPRESS OR IMPLIED, INCLUDING WARRANTIES OF MERCHANTABILITY OR FITNESS FOR A PARTICULAR PURPOSE.

A unit provided as an exchange will be subject to the warranty of the original unit. The length of the warranty governing the exchanged unit will remain calculated by reference to the purchase date of the original unit. This warranty gives you certain legal rights which may change from country to country. Your country may also have other rights you may be entitled to that are not listed within this warranty.



## SCHNURLOSER LITHIUM-IONEN-RASENTRIMMER

### PRODUKTSPEZIFIKATIONEN

BÜRSTENLOSER SAITENTRIMMER	
Typ	Kabellos, Akku-betrieben
Motor	60Vdc
Battery Pack	BP8302
Saitenschneidbreite	14/16in
Saitendurchmesser	0.08" (2.0mm)
Geschwindigkeit	4300/6000RPM

DE

**BEWAHREN SIE DIESE ANLEITUNG AUF.** Dieses Handbuch enthält wichtige Sicherheitsmaßnahmen, die vor der Inbetriebnahme des Produkts gelesen und verstanden werden sollten. Die Nichtbeachtung kann schwere Verletzungen zur Folge haben. Dieses Handbuch sollte beim Produkt aufbewahrt werden.

Die technischen Daten, Beschreibungen und Abbildungen in diesem Handbuch sind so genau, wie sie zum Zeitpunkt der Veröffentlichung bekannt waren, können aber ohne vorherige Ankündigung geändert werden.

REV 20211216

## WICHTIGE SICHERHEITSANWEISUNGEN

### ⚠️ WARNUNG

**Lesen und verstehen Sie alle Anweisungen,** bevor Sie dieses Produkt nutzen. Die Nichtbeachtung aller unten aufgeführten Anweisungen kann zu einem elektrischen Schlag, Feuer und/oder schwerwiegenden Personenschäden führen.

- Betreiben Sie Elektrowerkzeuge nicht in explosionsgefährdeten Bereichen, wie beispielsweise in der Nähe von brennbaren Flüssigkeiten, Gasen oder Stäuben. Elektrowerkzeuge erzeugen Funken, die den Staub oder die Dämpfe entzünden können.
- Erlauben Sie Kindern oder ungeschulten Personen nicht, dieses Gerät zu benutzen.
- Setzen Sie Elektrowerkzeuge weder Regen noch Nässe aus. Wasser, das in ein Elektrowerkzeug eindringt, erhöht das Risiko eines Stromschlags.
- Stecker oder Werkzeug nicht mit nassen Händen verwenden.
- Erlauben Sie Kindern niemals, das Gerät zu bedienen. Erlauben Sie Erwachsenen niemals, das Gerät ohne ordnungsgemäße Anweisungen zu bedienen.
- Tragen Sie immer eine Schutzbrille mit Seitenschutz in Übereinstimmung mit ANSI 287.1. Brillen für den täglichen Gebrauch haben nur schlagfeste Gläser. Sie sind keine Schutzbrillen. Ein Befolgen dieser Regel
- verringert das Risiko von Augenverletzungen. Verwenden Sie eine Gesichtsmaske, wenn der Vorgang staubig ist.
- Sichern Sie lange Haare über der Schulterhöhe, um ein Festsitzen in beweglichen Teilen zu verhindern.
- Keinem Regen aussetzen, drinnen lagern.
- Nicht bei schlechten Lichtverhältnissen arbeiten.
- Halten Sie alle Körperteile von beweglichen Teilen fern.
- Halten Sie Haare, lose Kleidung, Finger und alle Körperteile von Öffnungen und beweglichen Teilen fern.
- Tragen Sie eine schwere, lange Hose, Stiefel und Handschuhe. Vermeiden Sie lose Kleidungsstücke und Schmuck, die sich in beweglichen Teilen der Maschine oder ihres Motors verfangen könnten.
- Werkzeug nicht mit Gewalt erzwingen. Verwenden Sie das richtige Tool für Ihre Anwendung. Das richtige Werkzeug erledigt die Arbeit besser und sicherer mit der Geschwindigkeit, für die es entwickelt wurde.
- Bedienen Sie das Gerät nicht barfuß oder wenn Sie Sandalen oder ähnliches leichtes Schuhwerk tragen. Tragen Sie Sicherheitsschuhe, die Ihre Füße schützen und Ihren Stand auf rutschigen Oberflächen verbessern.
- Bewahren Sie einen festen Stand und das Gleichgewicht. Übernehmen Sie sich nicht. Selbstüberschätzung kann zu einem Verlust des Gleichgewichts führen.
- Erlauben Sie nicht, dass das Gerät als Spielzeug verwendet wird. Bei der Verwendung durch Kinder oder in der Nähe von Kindern ist besondere Aufmerksamkeit erforderlich
- Verwenden Sie das Werkzeug, wenn der Schalter es nicht ein- oder ausschaltet. Jedes Werkzeug, das nicht mit dem Schalter gesteuert werden kann, ist gefährlich und muss repariert werden.
- Halten Sie alle Umstehenden, Kinder und Haustiere mindestens 50 Fuß entfernt.
- Betreiben Sie dieses Gerät nicht, wenn Sie müde oder krank sind oder unter dem Einfluss von Alkohol, Drogen oder Medikamenten stehen.
- Halten Sie alle Körperteile von beweglichen Teilen und allen heißen Oberflächen des Geräts fern.
- Keine Gegenstände in Öffnungen stecken. Verwenden Sie nicht mit einer verstopften Öffnung; Halten Sie Öffnungen frei von Staub, Fusseln, Haaren und allem, was einen Luftstrom reduzieren kann.
- Prüfen Sie vor jedem Gebrauch den Arbeitsbereich. Entfernen Sie alle Gegenstände wie Steine, Glasscherben, Nägel, Draht oder Schnur, die in die Maschine geworfen werden oder sich verfangen können.
- Verwenden Sie nur identische Ersatzteile und Zubehör des Herstellers. Die Verwendung anderer Teile kann eine Gefahr darstellen oder Schäden verursachen.

- Kabellose Werkzeuge nicht an feuchten oder nassen Orten oder bei Regen aufladen oder aufladen. Das Befolgen dieser Regel verringert das Risiko eines Stromschlags.
- Schnurlose Werkzeuge müssen nicht an eine Steckdose angeschlossen werden; Daher sind sie immer in Betriebszustand. Achten Sie auf mögliche Gefahren, wenn Sie Ihr Akku-Gerät nicht verwenden oder das Zubehör wechseln. Das Befolgen dieser Regel verringert das Risiko eines Stromschlags, eines Brandes oder schwerer Personenschäden.
- Entfernen oder trennen Sie den Akku, bevor Sie das Gartengerät warten, reinigen oder Material entfernen.
- Verwenden Sie nur die angegebenen Akkus.
- Geräte im Leerlauf lagern - Bei Nichtgebrauch sollte das Gebläse in Innenräumen an einem trockenen, verschlossenen Ort außerhalb der Reichweite von Kindern aufbewahrt werden.
- Entsorgen Sie die Akkus nicht bei einem Brand. Die Zellen können explodieren. Erkundigen Sie sich bei den lokalen Codes nach möglichen speziellen Entsorgungsanweisungen.
- Öffnen oder verstümmeln Sie die Akkus nicht. Der freigesetzte Elektrolyt ist ätzend und kann Augen- oder Hautschäden verursachen. Er kann giftig sein, wenn er verschluckt wird.
- Stellen Sie schnurlose Geräte oder deren Akkus nicht in die Nähe von Feuer oder Hitze. Dies reduziert das Risiko von Explosionen und möglichen Verletzungen.
- Akkus können bei Vorhandensein einer Zündquelle wie z.B. einer Zündlampe explodieren. Um das Risiko schwerer Personenschäden zu verringern, verwenden Sie niemals ein kabelloses Produkt bei offener Flamme. Ein explodierender Akku kann Trümmer und Chemikalien antreiben. Wenn es ausgesetzt ist, sofort mit Wasser spülen.
- Akkupack nicht zerdrücken, fallen lassen oder beschädigen. Verwenden Sie keinen Akku oder kein Ladegerät, das heruntergefallen ist oder einen scharfen Schlag erhalten hat. Ein beschädigter Akku ist explosionsgefährdet. Entsorgen Sie einen heruntergefallenen oder beschädigten Akku sofort ordnungsgemäß
- Achten Sie beim Umgang mit Akkus darauf, die Akkus nicht mit leitenden Materialien wie Ringen, Armbändern und Schlüsseln kurzzuschließen. Der Akku oder der Leiter kann Hitze erzeugen und Verbrennungen verursachen.
- Für beste Ergebnisse sollte Ihr Akku an einem Ort aufgeladen werden, an dem die Temperatur mehr als 45° F, aber weniger als 104° F beträgt. Um das Risiko schwerer Personenschäden zu verringern, nicht draußen oder in Fahrzeugen aufbewahren.
- Unter extremen Nutzungs- oder Temperaturbedingungen kann es zu einem Auslaufen des Akkus kommen. Wenn Flüssigkeit mit Ihrer Haut in Kontakt kommt, sofort mit Wasser und Seife waschen und anschließend mit Zitronensaft oder Essig neutralisieren. Wenn Flüssigkeit in Ihre Augen gelangt, spülen Sie diese mit sauberem Wasser mindestens 10 Minuten lang aus und suchen Sie anschließend sofort einen Arzt auf. Die Befolgung dieser Regel verringert das Risiko schwerer Personenschäden
- Wenn das Netzteil beschädigt ist, darf es nur durch den Hersteller oder durch ein autorisiertes Servicecenter zur Vermeidung von Risiken ersetzt werden.
- Richten Sie den Saitentrimmer nicht in Richtung von Personen oder Haustieren.
- Pflegen Sie das Werkzeug sorgfältig. Halten Sie die Lüftungsöffnungen sauber für beste und sicherste Leistung. Befolgen Sie die Anweisungen für eine ordnungsgemäße Wartung. Versuchen Sie nicht, Verstopfungen vom Werkzeug zu entfernen, ohne vorher den Akku zu trennen.
- Nicht Regen aussetzen und nicht auf nassen Oberflächen verwenden, um das Risiko eines Stromschlags zu verringern. Drinnen lagern.
- Nicht im Regen verwenden.
- Richtige Anwendung verwenden - Verwenden Sie die Anwendung nicht für einen anderen Job als den bestimmungsgemäßen.
- Vermeiden Sie ein unbeabsichtigtes Starten - Tragen Sie keinen Trimmer mit Fingern auf dem Schalter. Stellen Sie sicher, dass der Akku während des Transports entfernt ist.
- Überprüfen Sie beschädigte Teile - zur weiteren Verwendung des Geräts, muss ein Schutz oder ein anderes Teil, das beschädigt ist, sorgfältig überprüft werden, um festzustellen, ob es für seine beabsichtigte Funktion funktioniert. Prüfen Sie auf Fehlausrichtung oder Bindung beweglicher Teile, Bruch von Teilen und andere Bedingungen, die den

Betrieb von Elektrowerkzeugen beeinträchtigen können. Eine Schutzeinrichtung oder ein anderes Teil, das beschädigt ist, sollte von einem autorisierten Servicezentrum ordnungsgemäß repariert oder ersetzt werden, sofern nicht an anderer Stelle in diesem Handbuch angegeben.

- Bewahren Sie diese Anleitung auf. Ziehen Sie sie häufig hinzu und verwenden Sie sie, um andere anzuweisen, die dieses Elektrowerkzeug verwenden können. Wenn Sie jemandem dieses Elektrowerkzeug leihen, so leihen Sie ihm auch diese Anweisungen aus.

**SICHERHEIT VON KINDERN**

- Es können tragische Unfälle auftreten, wenn dem Bediener die Anwesenheit von Kindern nicht bewusst ist.
- Halten Sie Kinder aus dem Arbeitsbereich fern und werden von einem verantwortungsbewussten Erwachsenen betreut.
- Erlauben Sie Kindern unter 14 Jahren nicht, diesen Trimmer zu bedienen. Kinder ab 14 Jahren müssen die Betriebsanweisungen und Sicherheitsregeln in diesem Handbuch lesen und verstehen und müssen von einem Elternteil geschult und unterrichtet werden.
- Bleiben Sie wachsam und schalten Sie den Trimmer aus, wenn ein Kind oder eine andere Person den Arbeitsbereich betritt.
- Schauen Sie hinter sich und unten nach kleinen Kindern, bevor und während Sie schneiden.
- Gehen Sie äußerst vorsichtig vor, wenn Sie sich toten Winkeln, Türen, Sträuchern, Bäumen oder anderen Gegenständen nähern, die Ihre Sicht auf ein Kind verdecken können, das möglicherweise in den Weg des Gebläses läuft.

**⚠️ WARNUNG**

Um ernsthafte Personenschäden zu vermeiden, versuchen Sie nicht, dieses Produkt zu verwenden, bevor Sie diese Bedienungsanleitung gründlich gelesen und vollständig verstanden haben. Verwenden Sie dieses Produkt nicht, wenn Sie die Warnungen und Anweisungen in dieser Bedienungsanleitung nicht verstehen.

Die Bedienung eines Elektrowerkzeugs kann dazu führen, dass Fremdkörper in Ihre Augen geschleudert werden. Bevor Sie mit einem Elektrowerkzeug arbeiten, tragen Sie bei Bedarf immer eine Arbeitsschutzbrille, eine Schutzbrille mit Seitenschutz und einen Vollschutz. Wir empfehlen eine Wide Vision Sicherheitsmaske für die Verwendung über einer Brille oder eine Standard-Schutzbrille mit Seitenschutz. Verwenden Sie immer einen Augenschutz, der gemäß ANSI 1 gekennzeichnet ist.

**SYMBOLE**

Einige der folgenden Symbole können bei diesem Produkt vorkommen. Bitte sehen Sie sich diese genau an und lernen Sie ihre Bedeutung. Durch die richtige Auslegung dieser Symbole können Sie das Produkt noch sicherer bedienen.

SYMBOL	BESTIMMUNG/ERKLÄRUNG
V	<b>Volt</b>
A	<b>Ampere</b>
Hz	<b>Hertz</b>
W	<b>Watt</b>
Min	<b>Minuten</b>
~	<b>Wechselstrom</b>
— — —	<b>Gleichstrom</b>
	<b>Keine Ladegeschwindigkeit.</b> Rationale Geschwindigkeit ohne Last
/Min	<b>Pro Minute.</b> Umdrehungen, Hübe, Oberflächengeschwindigkeit, Umlaufbahnen usw. pro Minute
	<b>Warnung wegen Feuchtigkeit.</b> Nicht Regen aussetzen oder an feuchten Orten verwenden
	<b>Lesen Sie das Bedienerhandbuch oder das Handbuch.</b> Um das Verletzungsrisiko zu verringern, muss der Benutzer lesen und die Bedienungsanleitung verstehen, bevor Sie dieses Produkt verwenden.
	<b>Augen- und Gehörschutz.</b> Tragen Sie immer einen Augenschutz mit Seitenschutz in Übereinstimmung mit ANSI 287.1, zusammen mit Gehörschutz beim Betrieb dieses Geräts gekennzeichnet ist.
	<b>Sicherheitswarnsymbol.</b> Vorsichtsmaßnahmen, die Ihre Sicherheit betreffen.
	<b>Halten Sie Umstehende fern.</b> Halten Sie alle Umstehenden mindestens 50 ft entfernt.
	<b>Abprallen.</b> Herausgeschleuderte Gegenstände können abprallen und zu Personen- oder Sachschäden führen.
	<b>Bauweise Klasse II.</b> Doppelt isolierte Bauweise.

## SYMBOLE

Die folgenden Signalwörter und Bedeutungen sollen das mit diesem Produkt verbundene Risikoniveau erklären.

### **GEFAHR**

Weist auf eine drohende gefährliche Situation hin, die, wenn sie nicht vermieden wird, zum Tod oder zu schweren Verletzungen führt.

### **WARNUNG**

Weist auf eine möglicherweise gefährliche Situation hin, die, wenn sie nicht vermieden wird, zum Tod oder zu schweren Verletzungen führen kann.

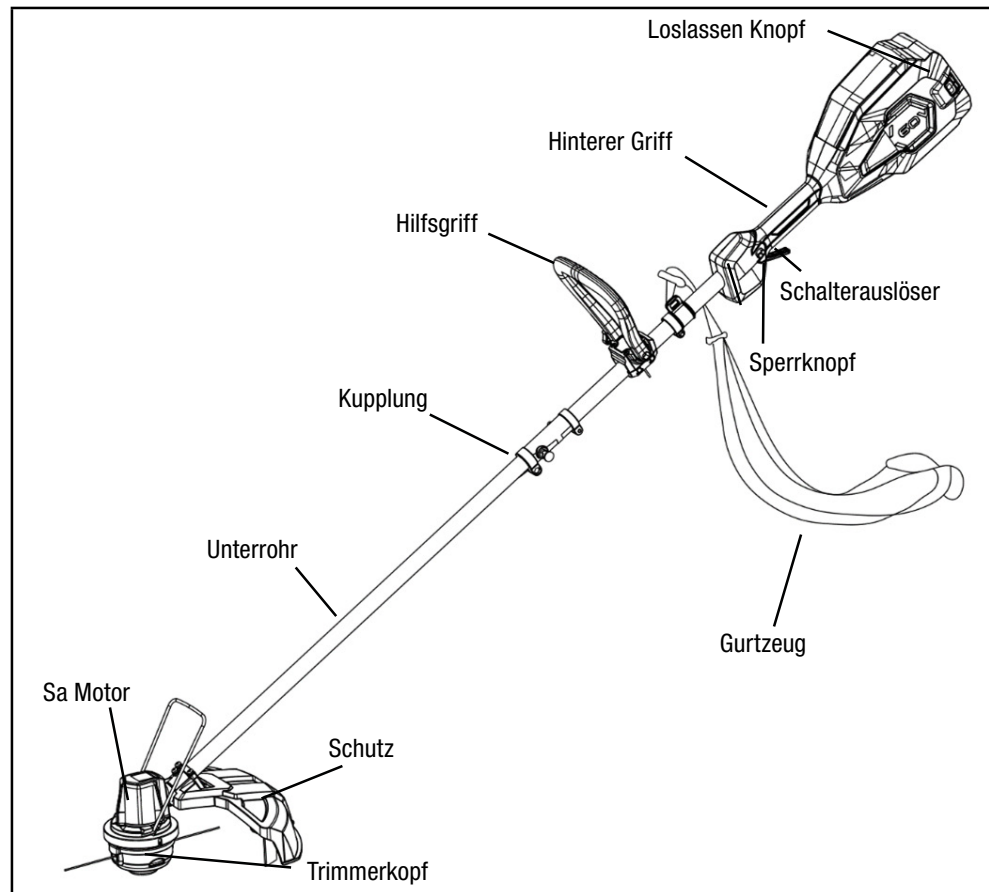
### **VORSICHT**

Weist auf eine möglicherweise gefährliche Situation hin, die, wenn sie nicht vermieden wird, zu leichten oder mittelschweren Verletzungen führen kann.

### **VORSICHT**

(Ohne Sicherheitswarnsymbol) Weist auf eine Situation hin, die möglicherweise zu Sachschäden führen kann.

## WISSENSWERTES ÜBER IHREN SAITENTRIMMER



## WISSENSWERTES ÜBER IHREN SAITENTRIMMER

### WISSENSWERTES ÜBER IHREN SAITENTRIMMER

Die sichere Verwendung dieses Produkts erfordert das Verständnis der Informationen auf dem Produkt und in dieser Bedienungsanleitung sowie Kenntnisse über Ihr geplantes Projekt. Machen Sie sich vor der Verwendung dieses Produkts mit allen Betriebsmerkmalen und Sicherheitsregeln vertraut.

#### HILFSGRIFF

Der Saitentrimmer ist mit einem Hilfsgriff ausgestattet, um die Bedienung zu erleichtern und einen Kontrollverlust zu vermeiden.

#### SCHUTZ

Der Trimmer enthält einen Schutz, der Sie vor herumfliegenden Trümmern schützt.

#### AUSPACKEN

Dieses Produkt erfordert eine Montage.

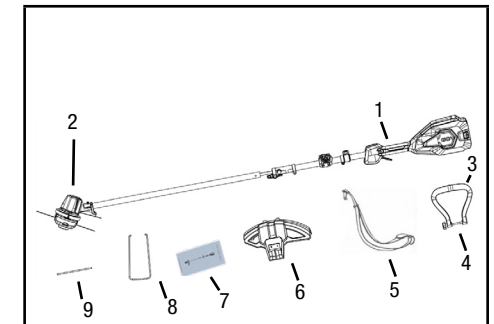
- Nehmen Sie das Produkt und jegliches Zubehör vorsichtig aus der Verpackung. Stellen Sie sicher, dass alle in der Packliste aufgeführten Artikel enthalten sind.
- Überprüfen Sie das Werkzeug sorgfältig, um sicherzustellen, dass beim Einkauf keine Brüche oder Schäden aufgetreten sind.
- Entsorgen Sie das Verpackungsmaterial erst, nachdem Sie das Produkt sorgfältig geprüft und zufriedenstellend betrieben haben.

### **WARNUNG**

Verwenden Sie dieses Produkt nicht, wenn beim Auspacken bereits Teile auf der Packliste zu Ihrem Produkt zusammengebaut sind. Teile auf dieser Liste werden vom Hersteller nicht am Produkt montiert und erfordern eine Installation durch den Kunden. Die Verwendung eines Produkts, das möglicherweise nicht ordnungsgemäß zusammengebaut wurde, kann zu schweren Verletzungen führen.

### PACKLISTE

1. Hinterer Griff (W/PCB)
2. Schnurtrimmerkopf (W/Motor)
3. Zusatzhandgriff
4. Zusatzhandgriff-Schrauben
5. Schultergurt
6. Schutz
7. Betriebsanleitung
8. Blumenschutz
9. Symbolleiste



## MONTAGE

**⚠️ WARNUNG**

Wenn Teile beschädigt sind oder fehlen, dürfen Sie dieses Produkt erst nach Austausch dieser Teile verwenden. Die Verwendung dieses Produkts mit beschädigten oder fehlenden Teilen kann zu ernsthaften Personenschäden führen.

**⚠️ WARNUNG**

Versuchen Sie nicht, dieses Produkt zu modifizieren oder nicht empfohlenes Zubehör für die Verwendung mit diesem Gebläse zu entwickeln. Jede solche Änderung oder Modifikation stellt einen Missbrauch dar und kann zu einer gefährlichen Situation führen, die in schweren Personenschäden resultieren kann.

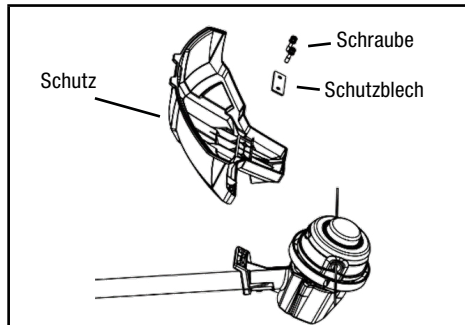
**⚠️ WARNUNG**

Erst nach Abschluss der Montage an die Stromversorgung anschließen. Die Nichteinhaltung könnte zu versehentlichem Start und möglichen schweren Personenschäden führen.

## ANBRINGEN DER SCHUTZVORRICHTUNG

**HINWEIS:** Installieren Sie die Schutzvorrichtung, bevor die Befestigung mit dem hinteren Griff verbunden wird.

- Entfernen Sie den Akku
- Drehen Sie den Saitenschneider um, um auf den Trimmerkopf zuzugreifen.
- Entfernen Sie mit einem Kreuzschlitzschraubendreher die vorinstallierten Schrauben vom Trimmerkopf.
- Legen Sie den Schutz auf den Trimmerkopf und schieben Sie den Schutz auf den Kopf, indem Sie der Spur auf dem Kopf folgen
- Richten Sie die Schraubenlöcher am Schutz mit den Schraubenlöchern am Trimmerkopf aus.
- Stecken Sie die Schrauben in den Trimmerkopf und halten Sie den Schutz fest.

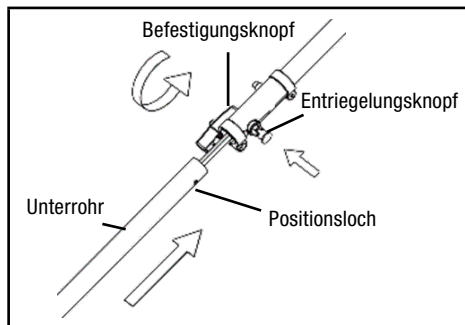
**⚠️ WARNUNG**

Lesen und verstehen Sie die gesamte Bedienungsanleitung für jeden optionalen Anbau, der an diesem Stromkopf verwendet wird, und befolgen Sie alle Warnungen und Anweisungen. Die Nichtbeachtung aller Anweisungen kann zu Stromschlägen, Feuer und/oder schweren Personenschäden führen.

**⚠️ WARNUNG**

Installieren, entfernen oder justieren Sie niemals einen Anbau, während der Stromkopf läuft. Ein fehlendes Ausschalten des Motors kann zu schweren Personenschäden führen. Betreiben Sie niemals einen Stromkopf ohne Aufsatz.

Installation des Saitentrimmerkopfes (Unterrohr) am hinteren Griff



**HINWEIS:** Wenn Sie den Saitentrimmerkopf verwenden, so gebrauchen Sie nur eine Linie mit einem Durchmesser von 080 Zoll.

Die Befestigung wird über eine Kopplervorrichtung mit dem hinteren Griff (Oberrohr) verbunden.

- Lösen Sie den Befestigungsknopf an der Kupplung.
- Drücken Sie den Entriegelungsknopf an der Befestigungswelle ein. Richten Sie den Knopf an der Führungsmulde an der Stromkopfkupplung aus und schieben Sie die beiden Wellen zusammen. Drehen Sie die Befestigungswelle, bis der Knopf in der Positionierungsbohrung einrastet.

**HINWEIS:** Löst sich der Taster nicht vollständig im Positionierloch, werden die Wellen nicht arretiert. Drehen Sie sich leicht von einer Seite zur anderen, bis die Taste eingerastet ist.

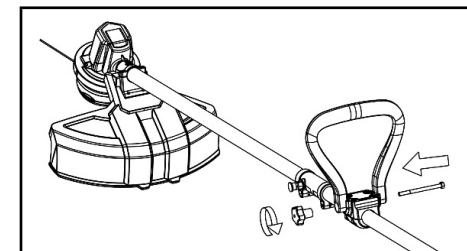
Ziehen Sie den Befestigungsknopf sicher fest.

## ENTFERNEN DES UNTEREN ROHRS VOM HINTEREN GRIFF (OBERROHR)

So entfernen oder ändern Sie den Anhang:

- Halten Sie das Werkzeug an.
  - Entfernen Sie den Akku aus dem hinteren Griff.
- Lösen Sie den Befestigungsknopf.
- Drücken Sie den Entriegelungsknopf und drehen Sie die Schäfte, um die Enden zu entfernen und zutrennen.

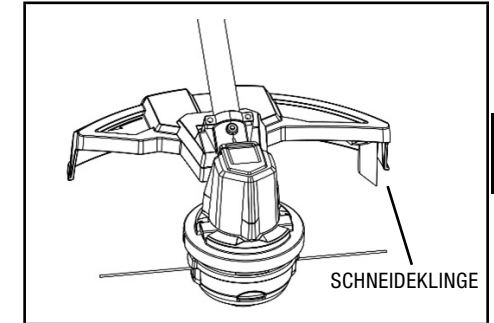
## ANBRINGEN DES ZUSATZGRIFFS



- Drücken Sie den Zusatzgriff auf den Schaft des Kraftkopfes, so dass der Griff zum hinteren Griff hin abgewinkelt ist, was eine komfortable Bedienung ermöglicht.
- Schieben Sie die Schrauben durch die Löcher im Hilfsgriff und ziehen Sie sie mit einem Phillips Schraubendreher (nicht im Lieferumfang enthalten) sicher fest.

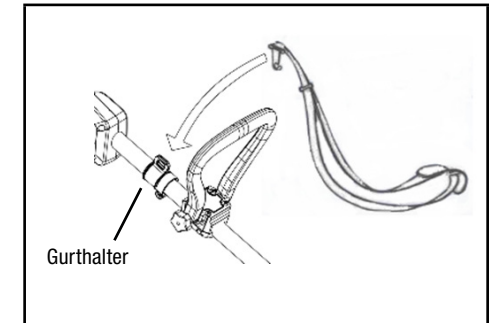
## SCHNURSCHEIDEKLINGE

Der Trimmer ist am Schutz mit einer Schnurschneideklinge ausgestattet. Ersetzen Sie die Saite, wenn die Trimmeffizienz abnimmt. Dadurch wird die beste Leistung aufrechterhalten.



## ANBRINGEN EINES SCHULTERGURTS

- Drehen Sie den Gurthalter nach oben.
- Haken Sie einen Schultergurt an den Gurthalter an.



## FEHLERBEHEBUNG

### ⚠️ WARNUNG

Lesen und verstehen Sie die gesamte Bedienungsanleitung für jeden optionalen Anbau, der an diesem Stromkopf verwendet wird, und befolgen Sie alle Warnungen und Anweisungen. Wenn Sie nicht alle Anweisungen befolgen, kann dies zu einem elektrischen Schlag, Feuer und/oder schweren Personenschäden führen.

### ⚠️ WARNUNG

Verwenden Sie keine Aufsätze oder Zubehörteile, die vom Hersteller dieses Produkts nicht empfohlen werden. Die Verwendung von nicht empfohlenen Aufsätzen oder Zubehörteilen kann zu schweren Personenschäden führen.

### ⚠️ WARNUNG

Jeder Kontakt mit dem angebrachten Schneidkopf kann zu Verbrennungen und/oder anderen schweren Personenschäden führen..

### ⚠️ WARNUNG

Lesen Sie die Sicherheitsinformationen für einen sicheren Betrieb bei Verwendung eines Klingenaufsatzes und lesen Sie die Sicherheitsregeln und Anweisungen in Ihrem beiliegenden Handbuch. Verwenden Sie niemals einen Freischneideraufsatz mit diesem elektrischen Stromkopf. Eine unsachgemäße Bedienung einer Klinge oder eines Anbaugeräts kann zu schweren Verletzungen führen.

### SPERRKNOPF

Der Sperrknopf reduziert die Möglichkeit eines versehentlichen Startens. Die Aussperrtaste befindet sich am Griff neben dem Schaltauslöser. Die Aussperrtaste muss gedrückt werden, bevor Sie den Schaltauslöser betätigen. Die Sperre wird jedes Mal zurückgesetzt, wenn der Auslöser ausgelöst wird.

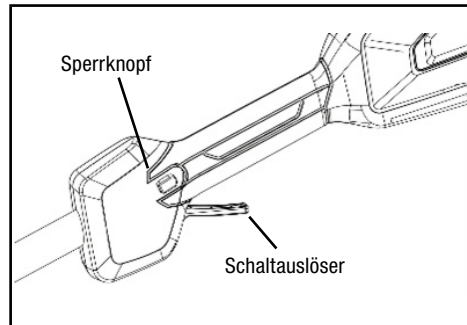
### STARTEN UND STOPPEN DES TRIMMERS

#### Start:

- Legen Sie das Akkupack in den hinteren Griff ein.
- Drücken Sie die Aussperrtaste; und drücken Sie den Schaltauslöser.
- Die Geschwindigkeit wird entsprechend der Last erhöht, und die LED zeigt den Arbeitszustand an

#### Stopp:

- Lassen Sie den Schaltauslöser los

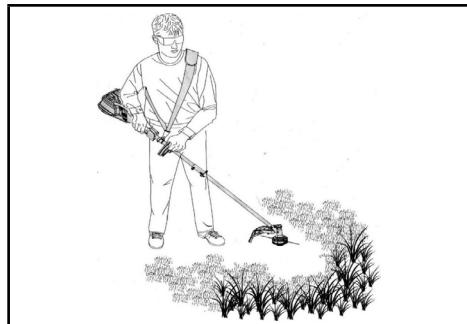


### BEDIENUNG DES TRIMMERS

Halten Sie den hinteren Griff mit der rechten Hand am hinteren Griff und mit der linken Hand am Hilfsgriff. Halten Sie während des Betriebs mit beiden Händen einen festen Griff. Der hintere Griff sollte in einer

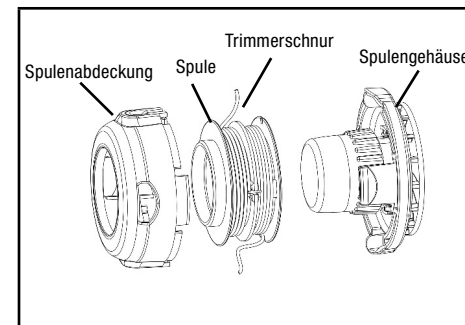
bequemen Position mit dem hinteren Griff über Hüfthöhe gehalten werden.

Bedienen Sie immer den hinteren Griff mit Vollgas. Wenn sich Schmutz um den Aufsatz wickelt, lassen Sie den Schaltauslöser los und entfernen Sie den Schmutz.



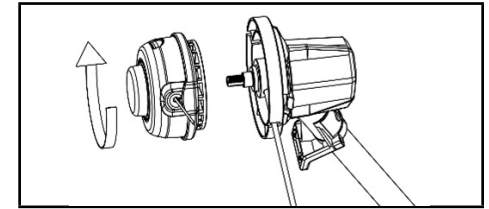
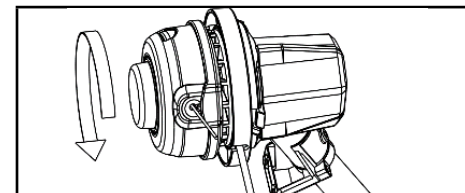
### AUSTAUSCH DER TRIMMERLINIE

1. Drücken Sie fest auf die Laschen auf jeder Seite der Spulenabdeckung.
2. Entfernen Sie die Spulenabdeckung vom Spulengehäuse.
3. Entfernen Sie überschüssige Trimmerschnüre oder Hindernisse von der Spule.
4. Verwenden Sie ein sauberes Tuch, um alle Ablagerungen von der Spule, der Spulenabdeckung oder dem Spulengehäuse abzuwischen.
5. Ersetzen Sie die neue Trimmerschnur auf das Spulengehäuse.
6. Richten Sie die Laschen der Spulenabdeckung an den Positionen am Spulengehäuse aus. Drücken Sie die Spulenabdeckung, bis die Laschen sicher in den Positionen einrasten.



### ENTFERNEN/ ERSETZEN DES SAITENKOPFES

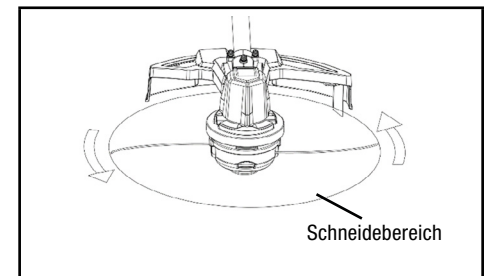
7. Richten Sie das Abstandshalterloch mit dem Loch im Motorgehäuse aus.
8. Legen Sie einen kleinen Schraubendreher oder eine Metallstange (im Lieferumfang enthalten) in das Abstandsloch.
9. Drehen Sie den Kopf im Uhrzeigersinn, um ihn zu lösen und zu entfernen.
10. Kehren Sie die Schritte 1-3 um, um den gleichen Schnurkopf neu zu installieren.



*Hinweis: Wenn Sie einen anderen Modellsaitenkopf auf dieses Gerät setzen, befolgen Sie bitte die Herstelleranweisungen, um diesen Kopf zu installieren.*

### SCHNEIDESPITZEN

- Halten Sie den Trimmer zu dem Bereich geneigt, der geschnitten wird; dies ist der beste Schnittbereich.
- Der Trimmer schneidet, wenn das Gerät sich von rechts nach links bewegt. Dadurch wird vermieden, dass Schmutz auf den Bediener geworfen wird. Vermeiden Sie es, in dem in Abbildung 12 dargestellten Gefahrenbereich zu schneiden.
- Verwenden Sie die Spitze der Schnur, um das Schneiden durchzuführen; zwingen Sie den Schnurkopf nicht in ungeschnittenes Gras.
- Draht- und Latenzäune verursachen zusätzlichen Schnurverschleiß und -bruch. Stein- und Ziegelwände, Bordsteine und Holz können Schnur schnell verschleifen.
- Vermeiden Sie Bäume und Sträucher. Baumrinde, Holzleisten und Zaunpfosten können leicht durch die Schnur beschädigt werden.





# AKKULADEGERÄT

SPEZIFIKATIONEN

Ladegerät: : C8360/C8362

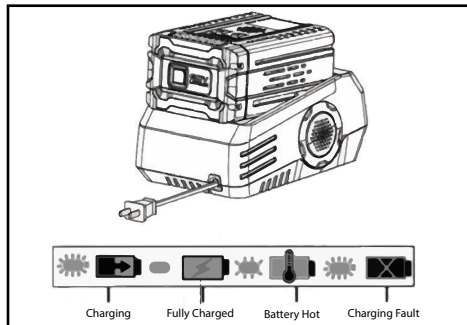
Eingang: 120-240VAC, 50/60Hz, Max.3A

Ausgang: 63VDC. Max.4.5A

Gewicht: 2.6 lbs (1.2kg)

**LADEVORGANG (siehe Abbildung .7)**

**HINWEIS:** Der Akku wird nicht vollständig geladen geliefert. Es wird empfohlen, vor dem ersten Gebrauch vollständig aufzuladen, um sicherzustellen, dass die maximale Laufzeit erreicht werden kann. Dieser Lithium-Ionen-Akku entwickelt keinen Speicher und kann jederzeit aufgeladen werden.



LED STATUS	BESCHREIBUNG
Grün blinkend	Ladevorgang
Permanent grün	Vollständig aufgeladen
Permanent rot	Standby
Rot blinkend (schnell)	Fehler beim Laden
Rot blinkend (langsam)	Akkupack oder Übertemperatur

**Niederspannungsladung:**

Wenn der Akku über einen längeren Zeitraum mit wenig bis gar keiner Ladung aufbewahrt wurde, wechselt das Ladegerät in den Wiederherstellungsmodus, wodurch es länger dauert, bis der Akku vollständig aufgeladen ist. Dies verlängert die Lebensdauer des Akkus. Sobald es vollständig aufgeladen ist, wird die nächste Ladung wieder standardmäßig durchgeführt.

Ein vollständig entladener Akku benötigt die im Akkuhandbuch angegebene Zeit. Stecken Sie das Ladegerät in eine Steckdose.

Legen Sie den Akku in das Ladegerät ein.

Dies ist ein Diagnoseladegerät. Die LED-Leuchten des Ladegeräts leuchten in einer bestimmten Reihenfolge, um den aktuellen Akkustatus zu melden.

**Falscher Fehlerhinweis:**

Wenn der Akku in das Ladegerät eingesetzt ist und die Status-LED ROT blinkt, nehmen Sie den Akku für 1 Minute aus dem Ladegerät und setzen Sie ihn dann wieder ein. Wenn die Status-LED GRÜN blinkt, wird der Akku ordnungsgemäß geladen. Wenn die Status-LED immer noch ROT blinkt, entfernen Sie den Akku und ziehen Sie das Ladegerät 1 Minute lang aus dem Stromnetz. Schließen Sie das Ladegerät nach 1 Minute an und setzen Sie den Akku wieder ein. Wenn die Status-LED GRÜN blinkt, wird der Akku ordnungsgemäß geladen. Wenn die Status-LED immer noch ROT blinkt, ist der Akku defekt und muss ausgetauscht werden.

**ÜBERPRÜFEN DER LADUNG**

Wenn der Akku nicht richtig geladen wird:

Prüfen Sie den Strom an der Steckdose mit einem anderen Werkzeug. Stellen Sie sicher, dass die Steckdose nicht ausgeschaltet ist.

Vergewissern Sie sich, dass die Kontakte des Ladegeräts nicht durch Schmutz oder Fremdkörper kurzgeschlossen wurden.

Bringen Sie das Ladegerät und den Akku an einen Ort mit Raumtemperatur, wenn die Lufttemperatur über 104 °F oder unter 45 °F liegt.

**! WARNUNG**

Wenn der Akku warm oder heiß in das Ladegerät eingesetzt wird, ändert sich möglicherweise die LED-Ladeanzeige am Ladegerät und leuchtet ROT auf. Lassen Sie den Akku in diesem Fall bis zu 30 Minuten im Ladegerät abkühlen. Der Ladevorgang sollte automatisch beginnen, sobald der Akku abgekühlt ist.

**LADEGERÄT-MONTAGE**

This charger can be installed hanging on a wall using two #8 screws (not included).

1. Dieses Ladegerät kann mit zwei Schrauben Gr. 8 (nicht im Lieferumfang enthalten) an der Wand hängend montiert werden.

2. Suchen Sie die Stelle, an der das Ladegerät an der Wand montiert werden soll.
3. Verwenden Sie bei Befestigung an Holzbeschlägen 2 Holzschrauben (nicht im Lieferumfang enthalten).
4. Bohren Sie zwei Löcher in der Mitte 5,5 Zoll auseinander und stellen Sie sicher, dass sie vertikal ausgerichtet sind.
5. Verwenden Sie zur Befestigung an Trockenbauwänden Wanddübel (nicht im Lieferumfang enthalten) und Schrauben, um das Ladegerät an der Wand zu befestigen.

**Hinweis:** Ziehen Sie den Akku aus dem Ladegerät und ziehen Sie den Netzstecker heraus, wenn der Akku und das Ladegerät für längere Zeit nicht verwendet werden.

## INSTANDHALTUNG

**! WARNUNG**

Entfernen Sie den Akku, bevor Sie das Gebläse einstellen, inspizieren oder reinigen, um Personenschäden und die Gefahr von Feuer und Stromschlägen zu vermeiden.

**Reinigung**

Nehmen Sie das Akkupack heraus.

- Bürsten oder blasen Sie staubtrockene Ablagerungen mit Druckluft oder einem Vakuum aus den Lüftungsschlitzen. Halten Sie die Lüftungsöffnungen frei von Hindernissen, Sägemehl und Holzspänen. Sprühen, waschen oder tauchen Sie die Lüftungsschlitze nicht in Wasser.
- Wischen Sie das Gehäuse und die Kunststoffteile mit einem feuchten, weichen Tuch ab. Verwenden Sie keine starken Lösungs- oder Reinigungsmittel auf dem Kunststoffgehäuse oder Kunststoffteilen. Bestimmte Haushaltsreiniger können Schäden und eine Schockgefahr verursachen.

**Akkupack**

- Lagern Sie das Akkupack voll aufgeladen
- Sobald die Leuchte am Ladegerät konstant grün leuchtet, nehmen Sie den Akku aus dem Ladegerät und trennen Sie das Ladegerät von der Steckdose.
- Lagern Sie den Akku nicht auf dem Gerät.

- Der Akku kann nach dem Aufladen im Ladegerät aufbewahrt werden, solange das Gerät nicht angeschlossen ist.

**Wartung des Ladegeräts**

Halten Sie die Ladung sauber und frei von Schmutz. Lassen Sie nicht zu, dass Fremdmaterial in den vertieften Hohlraum oder auf die Kontakte gelangt. Wischen Sie das Ladegerät mit einem trockenen, weichen Tuch ab. Verwenden Sie keine Lösungsmittel oder Wasser und stellen Sie das Ladegerät nicht nass auf.

Ziehen Sie das Ladegerät aus der Steckdose, wenn kein Akkupack darin ist.

Laden Sie die Akkus vollständig auf, bevor Sie sie einlagern.

Lagern Sie das Ladegerät bei normaler Temperatur oder Raumtemperatur. Lagern Sie es nicht bei übermäßiger Hitze. Verwenden Sie das Ladegerät nicht bei direkter Sonneneinstrahlung. Laden Sie bei Raumtemperaturen zwischen 45° F und 104° F (7°C und 40° C) auf. Wenn der Akku heiß ist, lassen Sie ihn im Inneren des Ladegerät abkühlen. Der Akku beginnt mit dem Laden, sobald er wieder Raumtemperatur erreicht hat.

## UMWELTSICHERE AKKUENTSORGUNG

**! WARNUNG**

Die folgenden giftigen und ätzenden Materialien befinden sich in den in diesem Gebläse verwendeten Akkus Akkupack: Lithium-Ion, ein giftiges Material.

**! WARNUNG**

Alle giftigen Materialien müssen in einer bestimmten Weise entsorgt werden, um eine Kontamination der Umwelt zu verhindern. Wenden Sie sich vor der Entsorgung beschädigter oder abgenutzter Lithium-Ionen-Akkupacks an Ihre örtliche Entsorgungsbehörde oder an die örtliche Umweltschutzbehörde, um Informationen und spezifische Anweisungen zu erhalten. Bringen Sie die Akkus zu einem örtlichen Recycling- und/oder Entsorgungszentrum, das für die Lithium-Ionenentsorgung zertifiziert

DE

**! WARNUNG**

Wenn das Akkupack Risse bekommt oder mit oder ohne Lecks bricht, so laden Sie es nicht wieder auf und verwenden Sie es nicht mehr. Entsorgen Sie es und ersetzen Sie es durch ein neues Akkupack.

**VERSUCHEN SIE NICHT, ES ZU REPARIEREN!**

Um Verletzungen und Feuer-, Explosions- oder Stromschlaggefahr sowie Umweltschäden zu vermeiden:

·Decken Sie die Akkuklemmen mit strapazierfähigem Klebeband ab

Versuchen Sie NICHT, die Komponenten des Akkupacks zu entfernen oder zu zerstören.

Versuchen Sie NICHT, das Akkupack zu öffnen.

Wenn ein Leck entsteht, sind die freigesetzten Elektrolyte ätzend und giftig. Lassen Sie die Lösung NICHT in die Augen oder auf die Haut gelangen und schlucken Sie sie nicht.

Legen Sie diese Akkus NICHT in Ihren normalen Haushaltsmüll.

NICHT verbrennen.

Stellen Sie sie NICHT dort auf, wo sie Teil einer Mülldeponie oder eines städtischen Abfallstroms werden.

Bringen Sie sie zu einem zertifizierten Recycling- oder Entsorgungszentrum.

**WARTUNG**

**! WARNUNG**

Verwenden Sie bei der Wartung nur identische Ersatzteile. Die Verwendung anderer Teile kann eine Gefahr darstellen oder Produktschäden verursachen.

**! WARNUNG**

Bevor Sie das Gerät inspizieren, reinigen oder warten, schalten Sie den Motor aus, warten Sie, bis alle sich bewegenden Teile anhalten, und trennen Sie die Stromversorgung. Die Nichtbeachtung dieser Anweisungen kann zu schweren Personenschäden oder sachgerechten Schäden führen.

**! WARNUNG**

Lassen Sie zu keinem Zeitpunkt Bremsflüssigkeiten, Benzin, Erdölprodukte, eindringende Schmierstoffe usw. mit Kunststoffteilen in Berührung kommen. Chemikalien können Kunststoff beschädigen, schwächen oder zerstören, was zu schweren Personenschäden führen kann.

**ALLGEMEINE WARTUNG**

Vermeiden Sie die Verwendung von Lösungsmitteln bei der Reinigung von Kunststoffteilen. Die meisten Kunststoffe sind anfällig für Schäden durch verschiedene Arten von kommerziellen Lösungsmitteln und können durch ihre Verwendung beschädigt werden. Verwenden Sie ein sauberes Tuch, um Schmutz, Staub, Schmiermittel, Fett usw. zu entfernen.

**Sie können oft hier beschriebene Anpassungen und Reparaturen vornehmen. Für andere Reparaturen: Lassen Sie den Stromkopf von einem autorisierten Servicehändler warten.**

**REINIGUNG DES STROMKOPFES**

1. Stoppen Sie den Motor und entfernen Sie den Akku.
2. Reinigen Sie Schmutz und Ablagerungen vom Stromkopf mit einem feuchten Tuch mit einem milden Reinigungsmittel.

**Hinweis:** Verwenden Sie keine starken Reinigungsmittel auf dem Kunststoffgehäuse oder dem Griff. Diese können durch bestimmte aromatische Öle wie Kiefer und Zitrone und durch Lösungsmittel wie Kerosin beschädigt werden.

**AUFBEWAHRUNG DES STROMKOPFES**

- Reinigen Sie alle Fremdkörper vom Produkt.
- Bewahren Sie es an einem gut belüfteten Ort auf, der für Kinder unzugänglich ist.
- Von korrosiven Stoffen wie Gartenchemikalien und Auftausalzen fernhalten.

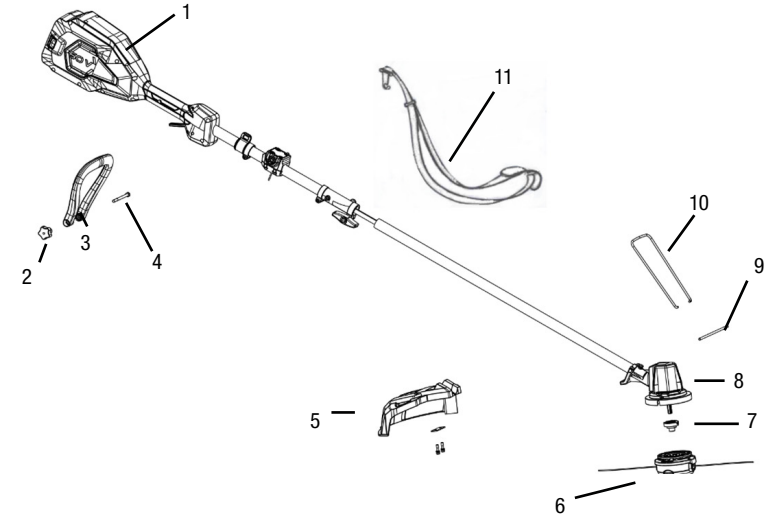
**! WARNUNG**

Lagern Sie den Saitenschneider nicht im Sonnenlicht, an einem übermäßig warmen Ort oder in der Nähe eines Ofens. Dadurch verkürzt sich die Akkulaufzeit.

**FEHLERBEHEBUNG**

PROBLEM	MÖGLICHE URSACHE	LÖSUNG
Motor startet nicht, wenn der Schalterauslöser gedrückt ist die LED-Anzeige des Werkzeugblitzes für 1-19 mal blitzt	Motorsteuerungsfehler oder Übertemperatur oder schwacher Akku oder Akku-Übertemperatur usw.	1. Lassen Sie den Auslöser los und starten Sie das Gerät nach 3-5 Sekunden neu; oder. 2. Stoppen Sie den Betrieb und kühlen Sie das Werkzeug oder laden Sie den Akku auf..
	Der Akku ist nicht sicher.	Um den Akku zu sichern, stellen Sie sicher, dass die Verriegelungen am Akkufach einrasten.
Saitenschneider stoppt beim Schneiden	Der Trimmerkopf ist gebunden.	Stoppen Sie den Trimmer, entfernen Sie den Akku und entfernen Sie das Gras vom Trimmerkopf.
	Der Akku ist zu heiß.	Entfernen Sie den Akku und lassen Sie ihn in einem kühlen, trockenen Bereich abkühlen.
	Das Akkupack ist vollständig entladen.	Laden Sie den Akku gemäß den Anweisungen im Akkuhandbuch auf
Die Schnur bewegt sich nicht nach vorne	Es gibt nicht genug Schnur in der Spule.	Entfernen Sie den Akku und ersetzen Sie die Trimmerschnur.
Saitentrimmer ist immer in niedriger Geschwindigkeit	Die Trimmerschnur ist zu kurz oder die Last ist gering	Klopfen Sie auf den Trimmerkopf, um die Schnur freizugeben, und die Geschwindigkeit steigt je nach Last
LED-Anzeige des Werkzeugs blinkt 1-19 mal, Motor startet nicht	Störung der Motorsteuerung oder Übertemperatur oder schwacher Akku oder Überlast usw.	1. Lassen Sie den Auslöser los und starten Sie das Gerät nach 3-5 Sekunden neu; oder 2. Stoppen Sie den Betrieb und lassen Sie das Werkzeug und den Akku abkühlen; oder 3. Laden Sie den Akku.

**EXPLOSIONSANSICHT**



Art.-Nr.	Teil-Nr.	Beschreibung	Menge
1	2800220014	Hinterer Griff	1
2	2800030016	Zusatzhandgriff	1
3	2800030003	Zusatzhandgriff-Schraube	1
4	2800020003	Zusatzgriffknopf	1
5	2800020005	Schutz montieren	1
6	2800020001	Saitentrimmerkopf	1
7	2800030037	Unterlegscheibe	1
8	2800020012	SA Motor	1
9	2800030040	Symbolleiste	1
10	2800030041	Blumenschutz	1
11	2800030044	Schultergurt	1

DE

## GARANTIE

### Rückgaberecht

Wir bieten eine 30-tägige Geld-zurück-Garantie für alle Waren, die korrekt versandt wurden und nicht benötigt werden. Der Käufer ist für die Rücksende porto- und verpackungskosten verantwortlich und alle ursprünglichen Versandkosten sind nicht erstattungsfähig. Die Ware sollte in einem für den Weiterverkauf geeigneten Zustand und nach Möglichkeit in der Originalverpackung zurückgegeben werden.

Waren, die speziell für eine Bestellung hergestellt und korrekt versandt werden, können nicht zurückgegeben werden.

Wenn der falsche Artikel erhalten wird, liegt es in der Verantwortung des Käufers, uns innerhalb von 7 Tagen nach Erhalt schriftlich zu benachrichtigen. Es werden dann Vorkehrungen getroffen, damit der fehlerhafte Artikel abgeholt und ein Ersatzartikel versandt wird.

### Garantie

#### Garantie-Qualifikationen

Wir bei Warrior verstehen die Bedeutung der Garantie für Service und Reparatur, wir bieten eine Standardgarantie von 3 Jahren (nur Werkzeuge) und 1 Jahr (nur Akku) an, ohne dass Sie Ihren Kauf registrieren müssen.

Bitte beachten Sie die folgenden Einschränkungen und lesen Sie die vollständigen AGB über die Garantie, die für ein bestimmtes Produkt angeboten wird.

Alles, was wir benötigen, ist entweder eine Kopie des Original-Kaufbelegs oder eine Rechnung, die zum Zeitpunkt des Kaufs vom Händler geliefert wird, um die Geltendmachung des Anspruchs zu ermöglichen. Bitte bewahren Sie Ihren Kaufbeleg für die Dauer Ihrer Laufzeit sicher auf, in dem unglücklichen Fall, dass Sie unsere technische Unterstützung benötigen, werden wir darum bitten, dass dies bei jedem Anspruch zur Verfügung gestellt wird, KEIN Kaufbeleg, ein Garantieanspruch wird verzögert oder abgelehnt.

Die Transportkosten für Produkte oder Teile, die im Rahmen dieser Garantie zur Reparatur oder zum Austausch eingereicht werden, liegen in der alleinigen Verantwortung des Käufers. Diese Garantie gilt nur für den Erstkäufer und ist nicht übertragbar.

Geben Sie das Gerät nicht an den Ort des Kaufs zurück

Wenden Sie sich an den technischen Support und wir werden jedes Problem per Telefon oder E-Mail beheben. Wenn das Problem oder Problem auf diese Weise nicht gelöst wird, werden wir nach eigenem Ermessen eine Bewertung, Reparatur oder den Austausch des defekten Produkts, Teils oder der Komponente in unserer eigenen Service-Center-Werkstatt genehmigen. Wann und wehm ein Produkt ersetzt werden muss, wird es in den meisten Fällen auf einer Like-for-Like-Basis sein, nicht alt für neu. Wir stellen Ihnen eine Fallnummer für den Garantieservice zur Verfügung, die über Ihr Login-Konto überwacht werden kann. Bitte bewahren Sie es für zukünftige Referenz auf. Reparaturen oder Ersatzlieferungen ohne vorherige Genehmigung oder in einer nicht autorisierten Reparaturwerkstatt fallen nicht unter diese Garantie. Wir haben Garantieausschlüsse für Kunden außerhalb des Vereinigten Königreichs, bitte beachten Sie unsere vollständigen AGB..

### Garantieausschlüsse

#### DIESE GARANTIE DECKT FOLGENDES NICHT AB:

##### NORMALE ABNUTZUNG

Ihr Produkt benötigt regelmäßige Teile und Service, um eine gute Leistung zu erbringen. Diese Garantie deckt keine Reparatur ab, wenn der normale Gebrauch die Lebensdauer eines Teils oder des Geräts als Ganzes erschöpft hat.

##### INSTALLATION, NUTZUNG UND WARTUNG

Diese Garantie erlischt und (oder) gilt nicht für Teile oder Arbeit, wenn Davon ausgegangen wird, dass Ihr Produkt missbraucht, vernachlässigt, in einen Unfall verwickelt, missbraucht, über die Grenzen hinaus überlastet, modifiziert, unsachgemäß installiert oder falsch an eine elektrische Komponente oder ein System zum Aufladen der Batterie angeschlossen wurde. Die Wartung während des normalen Zeitraums ist nicht durch diese Garantie abgedeckt.

##### Sonstige Ausschlüsse

#### Diese Garantie schließt Ausschlüsse:

- kosmetische Defekte wie Farbe, Aufkleber oder Zubehörwerkzeuge
- Ersatzteile einschließlich Klingen, Schnur, Ketten, Stangen oder Taschen
- alle elektrischen Komponenten mit Ausnahme der Hauptsteuereinheit wie Sicherungen, Anschlüsse, Zifferblätter, Knöpfe oder Hebel.
- Ausfälle aufgrund höherer Gewalt und andere Ereignisse höherer Gewalt, die außerhalb der Kontrolle des Herstellers liegen
- Probleme, die durch Teile verursacht werden, die nicht original sind
- Änderung oder Modifikation(en), die von einer anderen Partei als dem Hersteller vorgenommen wurde(n)
- elektrische Geräte von Drittanbietern
- Alle Batterien werden über 1 Jahr alt geliefert.

#### Grenzen der stillschweigenden Gewährleistung und Folgeschäden

BPE Holdings (Warrior Eco Power Equipment) lehnt jede Verpflichtung ab, Zeitverluste, die Nutzung dieses Produkts, Fracht oder neben- oder Folgekosten durch Personen, die dieses Produkt verwenden, zu decken.

#### DIESE GARANTIE TRITT AN DIE STELLE ALLER ANDEREN AUSDRÜCKLICHEN ODER STILLSCHWEIGENDEN GEWÄHRLEISTUNGEN, EINSCHLIEßLICH GARANTIEEN DER MARKTGÄNGIGKEIT ODER EIGNUNG FÜR EINEN BESTIMMTEN ZWECK.

Eine Einheit, die als Austausch zur Verfügung gestellt wird, unterliegt der Garantie des Originalgeräts. Die Garantiedauer für das ausgetauschte Gerät wird weiterhin unter Bezugnahme auf das Kaufdatum des Originalgeräts berechnet. Diese Garantie gibt Ihnen bestimmte gesetzliche Rechte, die sich von Land zu Land ändern können. Ihr Land kann auch andere Rechte haben, die Ihnen möglicherweise zustehen, die nicht in dieser Garantie aufgeführt sind.

**WARRIOR**<sup>®</sup>  
ECO POWER EQUIPMENT

## MANUEL DU PROPRIÉTAIRE

MODEL #WEP8001ST  
COUPE-BORDURES SANS BALAIS



## COUPE-BORDURES SANS FIL AU LITHIUM-ION

Lisez attentivement toutes les règles et instructions de sécurité avant d'utiliser cet outil.

REV 20211216

## CARACTÉRISTIQUES DE L'APPAREIL

COUPE-BORDURES SANS BALAIS	
Type	Sans fil, alimenté par batterie
Moteur	60Vdc
Batterie	BP8302
Largeur de coupe de fil	14/16in
Diamètre du fil	0.08" (2.0mm)
Vitesse	4300/6000RPM

## RÈGLES GÉNÉRALES DE SÉCURITÉ

### AVERTISSEMENT

Lisez et comprenez toutes les instructions avant d'utiliser cet appareil. Le non-respect de toutes les instructions énumérées ci-dessous peut entraîner un choc électrique, un incendie et/ou des blessures graves.

- N'utilisez pas d'outils électriques dans des atmosphères explosives, comme en présence de liquides, de gaz ou de poussière inflammables. Les outils électriques créent des étincelles qui peuvent enflammer la poussière ou les vapeurs.
- Ne laissez pas des enfants ou des personnes non formées utiliser cet appareil.
- N'exposez pas les outils électriques à la pluie ou à des conditions humides. La pénétration d'eau dans un outil électrique augmente le risque de choc électrique.
- Ne manipulez pas la fiche ou l'outil avec les mains mouillées.
- Ne laissez jamais des enfants utiliser l'équipement. Ne laissez jamais des adultes utiliser l'équipement sans instructions appropriées.
- Portez toujours des lunettes de sécurité avec des écrans latéraux marqués conformes à la norme ANSI 287.1. Les verres des lunettes ordinaires résistent uniquement aux chocs. Ce ne sont PAS des lunettes de sécurité. Le respect de cette règle réduira le risque de blessure aux yeux. Utilisez un masque facial si l'opération produit de la poussière.
- Attachez les cheveux longs au-dessus du niveau des épaules pour éviter qu'ils ne s'emmêlent dans les pièces mobiles.
- N'exposer pas l'appareil à la pluie, stockez-le à l'intérieur.
- N'utilisez pas l'appareil dans un éclairage faible.
- Gardez toutes les parties de votre corps à l'écart de toute partie mobile.
- Gardez les cheveux, les vêtements amples, les doigts et toutes les parties du corps éloignés des ouvertures et des pièces mobiles.

- Portez des pantalons longs épais, des bottes et des gants. Évitez les vêtements amples et les bijoux qui pourraient se prendre dans les pièces mobiles de la machine ou de son moteur.
- Ne forcez pas l'outil. Utilisez l'outil approprié pour votre application. Le bon outil fera le travail de manière plus efficace et plus sûre à la vitesse pour laquelle il a été conçu.
- N'utilisez pas l'équipement pieds nus ou en portant des sandales ou des chaussures légères similaires. Portez des chaussures de protection qui protégeront vos pieds et amélioreront votre appui sur les surfaces glissantes.
- Gardez l'équilibre et un appui ferme sur vos pieds. N'allez pas trop loin. Un dépassement peut entraîner une perte d'équilibre.
- Ne laissez pas cet appareil être utilisé comme jouet. Une attention particulière est nécessaire lorsqu'il est utilisé par ou à proximité d'enfants.
- N'utilisez pas l'outil si l'interrupteur ne l'allume pas ou ne l'éteint pas. Tout outil qui ne peut pas être contrôlé avec l'interrupteur est dangereux et doit être réparé.
- Gardez tous les passants, les enfants et les animaux domestiques à au moins 50 pieds de distance.
- N'utilisez pas cet appareil lorsque vous êtes fatigué, malade ou sous l'influence de l'alcool, de drogues ou de médicaments.
- Gardez toutes les parties de votre corps à l'écart des pièces mobiles et de toutes les surfaces chaudes de l'appareil.
- Ne placez aucun objet dans les ouvertures. N'utilisez pas l'appareil avec une ouverture bloquée; gardez les ouvertures exemptes de poussière, peluches, cheveux et tout ce qui peut réduire le débit d'air.
- Vérifiez la zone de travail avant chaque utilisation. Retirez tous les objets tels que les pierres, le verre brisé, les clous, le fil ou la ficelle qui peuvent être projetés ou s'emmêler dans la machine.
- N'utilisez que des pièces de rechange et des accessoires identiques du fabricant. L'utilisation de toute autre pièce peut créer un danger ou endommager l'appareil.
- Ne chargez pas et n'utilisez pas d'outils sans fil dans des endroits humides ou mouillés ou sous la

- pluie. Le respect de cette règle réduira le risque de choc électrique.
- Les outils sans fil n'ont pas besoin d'être branchés sur une prise électrique ; par conséquent, ils sont toujours en état de fonctionnement. Soyez conscient des dangers possibles lorsque vous n'utilisez pas votre outil sans fil ou lorsque vous changez d'accessoires. Le respect de cette règle réduira le risque de choc électrique, d'incendie ou de blessures graves.
- Retirez ou débranchez la batterie avant d'entretenir, de nettoyer ou de retirer du matériel de l'appareil de jardinage.
- Utilisez uniquement les batteries spécifiées.
- Rangez les appareils inutilisés - Lorsqu'il n'est pas utilisé, le coupe-bordures doit être rangé à l'intérieur dans un endroit sec et verrouillé hors de la portée des enfants.
- Ne jetez pas la batterie au feu. Les cellules peuvent exploser. Consultez les codes locaux pour connaître les éventuelles instructions spéciales en matière d'élimination.
- N'ouvrez pas les batteries et ne les abîmez pas. L'électrolyte libéré est corrosif et peut endommager les yeux ou la peau. Il peut être toxique en cas d'ingestion.
- Ne placez pas les outils sans fil ou leurs batteries près du feu ou d'une source de chaleur. Cela réduira le risque d'explosion et éventuellement de blessure.
- Les batteries peuvent exploser en présence d'une source d'inflammation, telle qu'un voyant lumineux. Pour réduire le risque de blessures graves, n'utilisez jamais l'appareil sans fil en présence d'une flamme nue. Une batterie qui explose peut propulser des débris et des produits chimiques. En cas d'exposition, rincez immédiatement à l'eau.
- N'écrasez pas, ne faites pas tomber ou n'endommagez pas la batterie. N'utilisez pas une batterie ou un chargeur qui est tombé ou a reçu un coup violent. Une batterie endommagée peut exploser. Éliminez immédiatement et correctement une batterie tombée ou endommagée.
- Faites attention lors de la manipulation des batteries afin de ne pas court-circuiter la batterie avec des matériaux conducteurs tels que des bagues, des bracelets et des clés. La batterie ou le conducteur peut surchauffer et provoquer des brûlures.
- Pour de meilleurs résultats, votre batterie doit être chargée dans un endroit où la température est supérieure à 45 °F mais inférieure à 104 °F. Pour réduire le risque de blessures graves, ne stockez pas l'appareil à l'extérieur ou dans des véhicules.
- Dans des conditions d'utilisation ou de température extrêmes, une fuite de la batterie peut se produire. Si du liquide entre en contact avec votre peau, lavez immédiatement avec de l'eau et du savon, puis neutralisez avec du jus de citron ou du vinaigre. Si du liquide pénètre dans vos yeux, rincez-les à l'eau claire pendant au moins 10 minutes, puis consultez immédiatement un médecin. Le respect de cette règle réduira le risque de blessures graves.
- Si le cordon d'alimentation est endommagé, il ne doit être remplacé que par le fabricant ou par un centre de service agréé pour éviter tout risque.
- Ne dirigez pas le coupe-bordures en direction de personnes ou d'animaux domestiques.
- Entretenez l'outil avec soin. Gardez les événements propres pour des performances optimales et sûres. Suivez les instructions pour un entretien approprié. N'essayez pas de nettoyer les obstructions de l'outil sans d'abord déconnecter la batterie.
- Pour réduire le risque de choc électrique, n'exposez pas à la pluie, n'utilisez pas sur des surfaces humides. Stockez à l'intérieur.
- N'utilisez pas l'appareil sous la pluie.
- Utilisez le bon appareil - N'utilisez pas l'appareil pour un travail autre que celui pour lequel il est destiné.
- Évitez les démarrages involontaires - Ne transportez pas le coupe-bordures avec les doigts sur l'interrupteur. Assurez-vous que la batterie est retirée pendant le transport.
- Vérifiez les pièces endommagées - Avant de continuer à utiliser l'appareil, une protection ou une autre pièce endommagée doit être soigneusement vérifiée pour déterminer qu'elle fonctionnera correctement et remplira sa fonction prévue. Vérifiez l'alignement des pièces mobiles, le grippage des pièces mobiles, la rupture des pièces, le montage et toute autre condition pouvant affecter le fonctionnement de l'appareil. Une protection ou une autre pièce endommagée doit être correctement réparée ou remplacée par un centre de service agréé, sauf indication contraire dans ce manuel.
- Conservez ces instructions. Consultez-les fréquemment et utilisez-les pour instruire

d'autres personnes susceptibles d'utiliser cet outil électrique. Si vous prêtez cet outil électrique à quelqu'un, prêtez-lui également ces instructions.

### SÉCURITÉ DES ENFANTS

- Des accidents tragiques peuvent survenir si l'opérateur n'est pas conscient de la présence d'enfants.
- Gardez les enfants hors de la zone de travail et sous la surveillance d'un adulte responsable.
- Ne laissez pas les enfants de moins de 14 ans utiliser ce coupe-bordures. Les enfants de 14 ans et plus doivent lire et comprendre les instructions d'utilisation et les règles de sécurité de ce manuel et doivent être formés et supervisés par un parent.
- Restez vigilant et éteignez le coupe-bordures si un enfant ou toute autre personne pénètre dans la zone de travail.
- Regardez derrière et vers le bas pour voir la présence de petits enfants avant et pendant la coupe en arrière.
- Soyez extrêmement prudent lorsque vous vous approchez d'angles morts, d'embrasures de porte, d'arbustes, d'arbres ou d'autres objets qui peuvent obscurcir la vue d'un enfant qui pourrait se heurter à la trajectoire du coupe-bordures.











Pour éviter des blessures graves, n'essayez pas d'utiliser cet appareil avant d'avoir lu attentivement ce manuel du propriétaire et de l'avoir parfaitement compris. Si vous ne comprenez pas les avertissements et les instructions de ce manuel du propriétaire, n'utilisez pas cet appareil.

L'utilisation de tout outil électrique peut entraîner la projection d'un objet étranger dans vos yeux, ce qui peut entraîner de graves lésions oculaires. Avant d'utiliser un outil électrique, portez toujours des lunettes de protection, des lunettes de sécurité avec écrans latéraux ou un masque facial complet si nécessaire. Nous recommandons un masque de sécurité à vision large à utiliser sur des lunettes ou des lunettes de sécurité standard avec écrans latéraux. Utilisez toujours des lunettes de protection marquées conformes à la norme ANSI Z87.1.

# SYMBOLES

Certains des symboles suivants peuvent être utilisés sur cet appareil. Veuillez vous familiariser avec ces symboles et apprendre leur signification. Une interprétation correcte de ces symboles vous permettra d'utiliser au mieux l'appareil, en toute sécurité.

NOM DU SYMBOLE	BESTIMMUNG/ERKLÄRUNG
V	<b>Voltage</b>
A	<b>Ampères</b>
Hz	<b>Hertz</b>
W	<b>Watts</b>
Min	<b>Minutes</b>
~	<b>Courant alternatif</b>
— — —	<b>Courant continu</b>
	<b>Vitesse à vide.</b> Vitesse rationnelle, à vide
/Min	<b>Par minute.</b> Tours, courses, vitesse de surface, orbites, etc., par minute
	<b>Alerte de conditions humides.</b> N'exposez pas à la pluie ou n'utilisez pas dans des endroits humides.
	<b>Lire le manuel de l'opérateur.</b> Pour réduire le risque de blessure, l'utilisateur doit lire et comprendre le manuel d'utilisation avant d'utiliser cet appareil.
	<b>Protection des yeux et de l'ouïe.</b> Portez toujours des lunettes de protection avec des écrans latéraux marqués conformes à la norme ANSI 287.1 ainsi qu'une protection auditive lors de l'utilisation de cet équipement.
	<b>Alerte de sécurité.</b> Précautions qui impliquent votre sécurité.
	<b>Construction de classe II.</b> Construction à double isolation.
	<b>Ricochet</b> Les objets projetés peuvent ricocher et provoquer des blessures ou des dommages matériels.
	<b>Éloigner les passants.</b> Gardez tous les passants à au moins 50 pieds de distance.

Les mots indicateurs et les significations suivants sont destinés à expliquer les niveaux de risque associés à cet appareil.

## DANGER

Indique une situation de danger imminent qui, si elle n'est pas évitée, entraînera des blessures graves ou mortelles.

## AVERTISSEMENT

Indique une situation potentiellement dangereuse qui, si elle n'est pas évitée, peut entraîner des blessures graves ou mortelles.

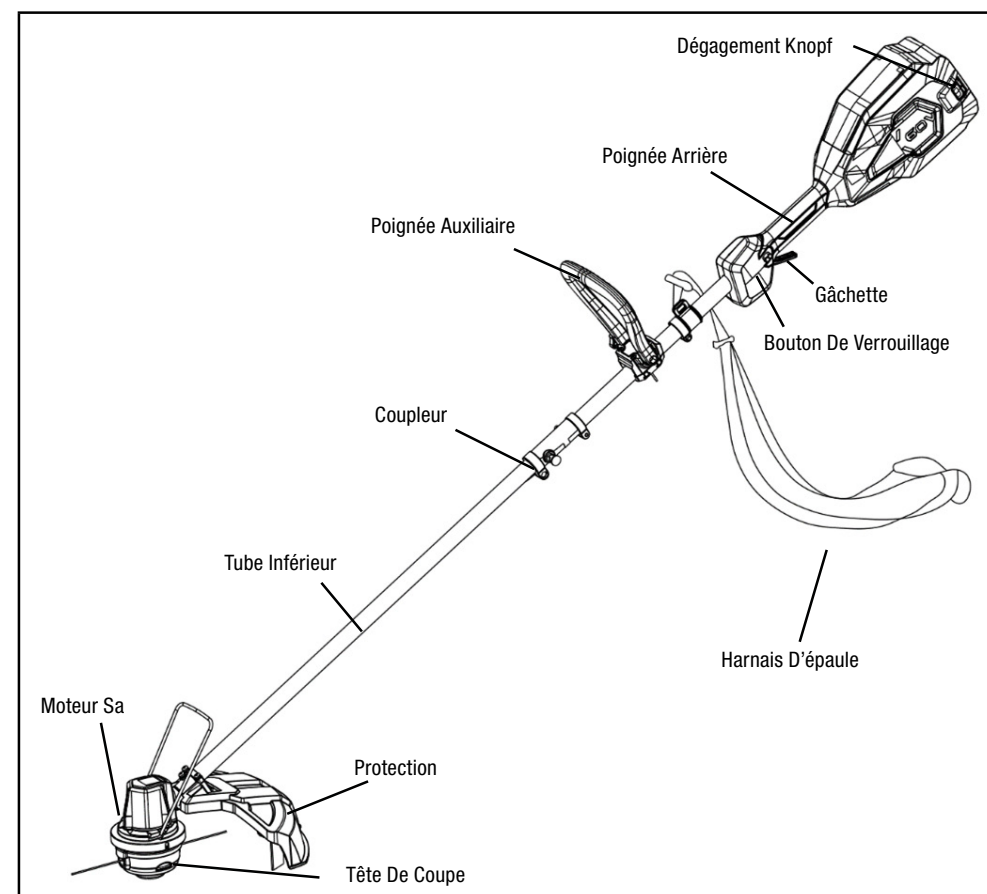
## ATTENTION

Indique une situation potentiellement dangereuse qui, si elle n'est pas évitée, peut entraîner des blessures légères ou de gravité modérée.

## ATTENTION

(Sans symbole d'alerte de sécurité) Indique une situation qui peut entraîner des dommages matériels.

# CONNAÎTRE SON COUPE-BORDURES



CONNAÎTRE SON COUPE-BORDURES

L'utilisation sûre de cet appareil nécessite une compréhension des informations sur l'appareil et dans ce manuel d'utilisation ainsi qu'une connaissance du projet envisagé. Avant d'utiliser cet appareil, familiarisez-vous avec toutes les caractéristiques de fonctionnement et les règles de sécurité.

POIGNÉE AUXILIAIRE

Le coupe-bordures est équipé d'une poignée auxiliaire pour une utilisation facile et pour éviter toute perte de contrôle.

PROTECTION

Le coupe-bordures comprend une protection qui aide à vous protéger des débris volants.

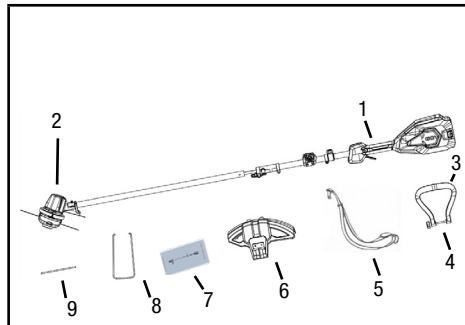
DÉBALLAGE

Cet appareil nécessite un assemblage.

- Retirez soigneusement l'appareil et tous les accessoires de la boîte. Assurez-vous que tous les éléments énumérés dans la liste de colisage sont inclus.
- Inspectez soigneusement l'outil pour vous assurer qu'aucun bris ou dommage ne s'est produit pendant le transport.
- Ne jetez pas le matériel d'emballage jusqu'à ce que vous ayez soigneusement inspecté et actionné l'outil.

LISTE DE COLISAGE

1. Poignée arrière (W/PCB)
2. Tête de coupe-bordures (avec moteur)
3. Poignée auxiliaire
4. Vis de poignée auxiliaire
5. Harnais d'épaule
6. Protection
7. Manuel de l'opérateur
8. Protège-fleurs
9. Barre d'outils



**AVERTISSEMENT**

N'utilisez pas cet appareil si des pièces figurant sur la liste de colisage sont déjà montées sur votre appareil lorsque vous le déballez. Les pièces de cette liste ne sont pas montées sur l'appareil par le fabricant et nécessitent une installation par le client. L'utilisation d'un appareil qui peut avoir été mal assemblé peut entraîner des blessures graves.

ASSEMBLAGE

**AVERTISSEMENT**

Si des pièces sont endommagées ou manquantes, n'utilisez pas cet appareil tant que les pièces n'ont pas été remplacées. L'utilisation de cet appareil avec des pièces endommagées ou manquantes peut entraîner des blessures graves.

**AVERTISSEMENT**

N'essayez pas de modifier cet appareil ou de créer des accessoires non recommandés à utiliser avec ce coupe-bordures. Toute altération ou modification est une mauvaise utilisation et pourrait entraîner une situation dangereuse pouvant entraîner des blessures graves.

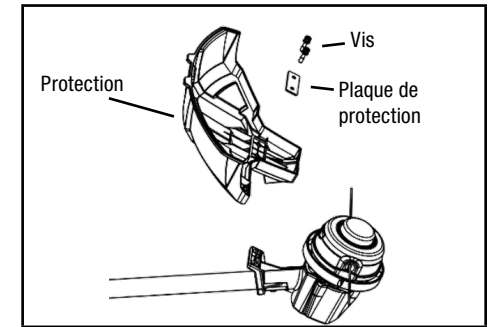
**AVERTISSEMENT**

Ne branchez pas à l'alimentation électrique tant que l'assemblage n'est pas terminé. Le non-respect de cette consigne peut entraîner un démarrage accidentel et des blessures corporelles graves.

FIXATION DE LA PROTECTION

**REMARQUE:** installez la protection avant que l'accessoire ne soit connecté à la poignée arrière.

- Retirez la batterie.
- Inversez le coupe-bordures pour accéder à la tête de coupe.
- À l'aide d'un tournevis cruciforme, retirez les vis préinstallées de la tête de coupe.
- Placez la protection sur la tête de coupe et faites glisser la protection sur la tête en suivant le rail sur la tête
- Alignez les trous de vis sur la protection avec les trous de vis sur la tête de coupe.
- Insérez les vis dans la tête de coupe, en fixant la protection en place.



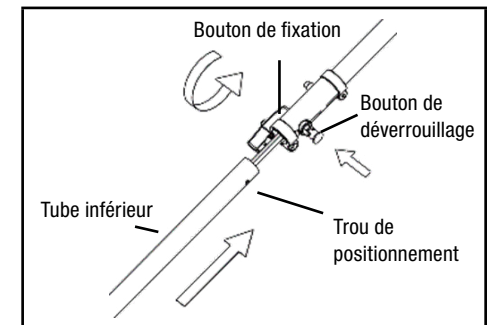
**AVERTISSEMENT**

Lisez et comprenez l'intégralité du manuel de l'opérateur pour chaque accessoire en option utilisé sur cette tête motrice et suivez tous les avertissements et instructions. Le non-respect de toutes les instructions peut entraîner un choc électrique, un incendie et/ou des blessures graves.

**AVERTISSEMENT**

Lisez et comprenez l'intégralité du manuel de l'opérateur pour chaque accessoire en option utilisé sur cette tête motrice et suivez tous les avertissements et instructions. Le non-respect de toutes les instructions peut entraîner un choc électrique, un incendie et/ou des blessures graves.

Installation de la tête de coupe-bordures (tube inférieur) sur la poignée arrière.



**REMARQUE:** lors de l'utilisation d'une tête de coupe-bordures, n'utilisez qu'un fil de 0,080 po de diamètre.



L'accessoire se connecte à la poignée arrière (tube supérieur) au moyen d'un dispositif de couplage.

- Desserrez le bouton de fixation sur le coupleur.
- Appuyez sur le bouton de déverrouillage situé sur l'arbre de fixation. Alignez le bouton avec la rainure de guidage sur le coupleur de la tête motrice et faites glisser les deux axes ensemble. Tournez l'arbre de fixation jusqu'à ce que le bouton se verrouille dans le trou de positionnement.

REMARQUE: si le bouton ne se libère pas complètement dans le trou de positionnement, les axes ne sont pas verrouillés en place. Tournez légèrement d'un côté à l'autre jusqu'à ce que le bouton soit verrouillé en place.

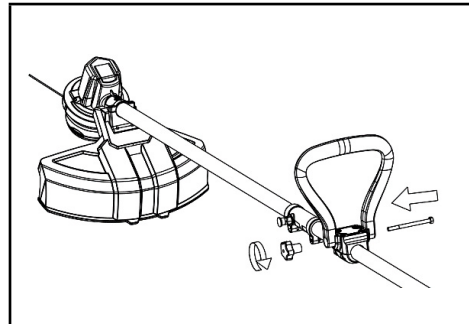
Serrez fermement le bouton de fixation.

**RETRAIT DU TUBE INFÉRIEUR DE LA POIGNÉE ARRIÈRE (TUBE SUPÉRIEUR)**

Pour retirer ou changer l'accessoire :

- Arrêtez l'outil.
- Retirez la batterie de la poignée arrière.
- Desserrez le bouton de fixation.
- Appuyez sur le bouton de déverrouillage et tournez les tiges pour retirer et séparer les extrémités.

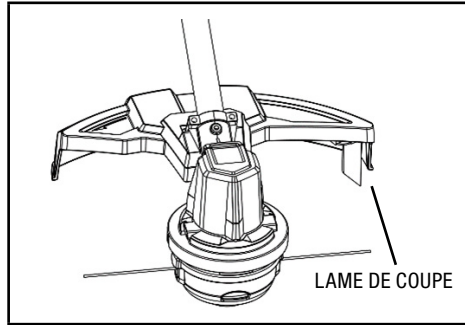
**FIXATION DE LA POIGNÉE AUXILIAIRE**



- Appuyez sur la poignée auxiliaire sur l'arbre de la tête motrice de manière à ce que la poignée soit inclinée vers la poignée arrière, ce qui permet une utilisation confortable.
- Faites glisser les boulons dans les trous de la poignée auxiliaire et serrez-les fermement avec un tournevis cruciforme (non inclus).

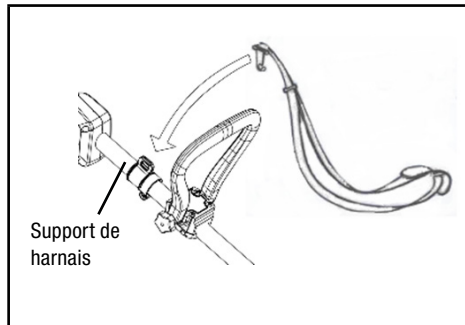
**LAME DE COUPE À FIL**

Le coupe-bordures est équipé d'une lame de coupe à fil sur la protection. Remplacez le fil lorsque l'efficacité de la coupe diminue. De meilleures performances seront ainsi maintenues.



**FIXATION D'UN HARNAIS D'ÉPAULE**

- Faites pivoter le porte-harnais vers le haut.
- Accrochez un harnais d'épaule au support de harnais.



**FONCTIONNEMENT**

**AVERTISSEMENT**

Lisez et comprenez l'intégralité du manuel de l'opérateur pour chaque accessoire en option utilisé sur cette tête motrice et suivez tous les avertissements et instructions. Le non-respect de toutes les instructions peut entraîner un choc électrique, un incendie et/ou des blessures graves.

**AVERTISSEMENT**

N'utilisez pas d'accessoires ou d'accessoires non recommandés par le fabricant de cet appareil. L'utilisation d'accessoires ou d'accessoires non recommandés peut entraîner des blessures graves.

**AVERTISSEMENT**

Tout contact avec la tête de coupe de l'accessoire peut entraîner des brûlures et/ou d'autres blessures graves.

**AVERTISSEMENT**

Lisez les informations de sécurité pour une utilisation en toute sécurité lors de l'utilisation d'un accessoire de lame et reportez-vous aux règles de sécurité et aux instructions de votre manuel d'accessoires. N'utilisez jamais un accessoire de débroussailluse avec cette tête motrice électrique. Le mauvais fonctionnement d'une lame ou de tout accessoire peut entraîner des blessures graves.

**BOUTON DE VERROUILLAGE**

Le bouton de verrouillage réduit la possibilité de démarrage accidentel. Le bouton de verrouillage est situé sur la poignée à côté de la gâchette. Le bouton de verrouillage doit être enfoncé avant d'appuyer sur la gâchette. Le verrou se réinitialise à chaque fois que la gâchette est relâchée.

**DÉMARRAGE ET ARRÊT DU COUPE-BORDURES**

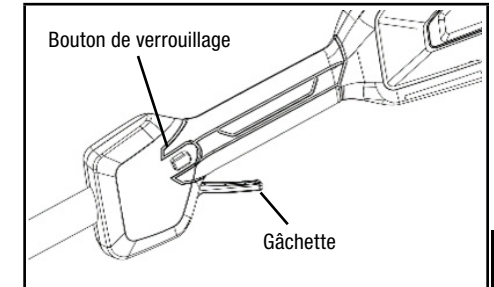
**Pour démarrer:**

- Appuyez sur le bouton de verrouillage et appuyez sur la gâchette.

- La vitesse sera augmentée en fonction de la charge et la LED indiquera l'état de fonctionnement.

**Pour arrêter:**

- Relâchez la gâchette.

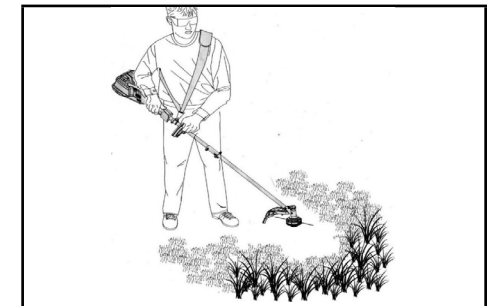


FR

**FONCTIONNEMENT DU COUPE-BORDURES**

Tenez la poignée arrière avec votre main droite sur la poignée arrière et votre main gauche sur la poignée auxiliaire. Gardez une prise ferme avec les deux mains pendant le fonctionnement. La poignée arrière doit être tenue à une position confortable avec la poignée arrière sur la hauteur des hanches.

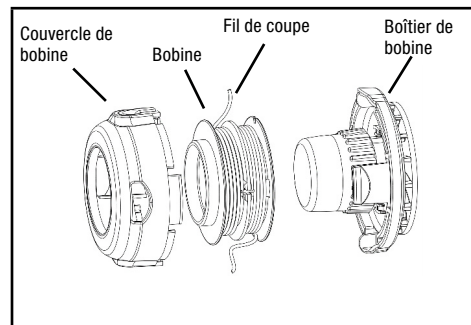
Utilisez toujours la poignée arrière à plein régime. Si des débris s'enroulent autour de l'accessoire, relâchez la gâchette et retirez les débris.



**REMPLENER LE FIL DE COUPE**

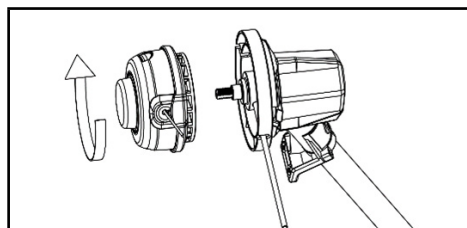
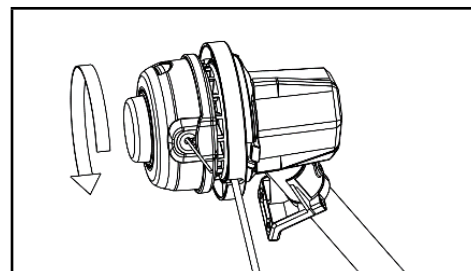
1. Appuyez fermement sur les languettes de chaque côté du couvercle de la bobine.
2. Retirez le couvercle de la bobine du boîtier de la bobine.
3. Retirez tout excès de fil de coupe ou toute obstruction de la bobine.
4. Utilisez un chiffon propre pour essuyer tous les débris de la bobine, du couvercle de la bobine ou du boîtier de la bobine.

5. Remplacez le nouveau fil de coupe sur le boîtier de la bobine.
6. Alignez les languettes du couvercle de la bobine avec les tiges du boîtier de la bobine. Poussez le couvercle de la bobine jusqu'à ce que les languettes s'enclenchent solidement dans les montants.



**RETRAIT/REPLACEMENT DE LA TÊTE DE FIL**

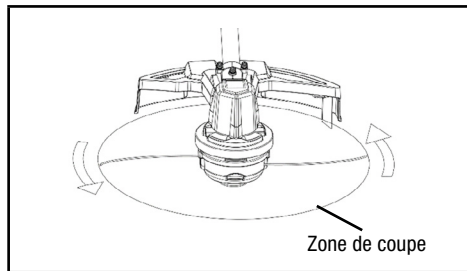
7. Alignez le trou de l'entretoise avec le trou dans le boîtier du moteur.
8. Placez un petit tournevis ou une tige métallique (incluse) dans le trou de l'entretoise.
9. Tournez la tête dans le sens des aiguilles d'une montre pour desserrer et retirer.
10. Inversez les étapes 1 à 3 pour réinstaller la même tête de fil.



*Remarque : si vous installez un modèle différent de tête de fil sur cet appareil, veuillez suivre les instructions du fabricant pour installer cette tête.*

**CONSEILS DE COUPE**

- Gardez le coupe-bordures incliné vers la zone à couper ; c'est la meilleure zone de coupe.
- Le coupe-bordures coupe en passant l'appareil de droite à gauche. Cela évitera de projeter des débris sur l'opérateur. Évitez de couper dans la zone dangereuse illustrée à la figure 12.
- Utilisez la pointe du fil pour effectuer la coupe ; ne forcez pas la tête de fil dans de l'herbe non coupée.
- Les clôtures en fil de fer et en piquets causent une usure et une rupture supplémentaires des cordes. Les murs de pierre et de brique, les bordures et le bois peuvent user rapidement le fil.
- Évitez les arbres et les arbustes. L'écorce d'arbre, les moulures en bois, le bardage et les poteaux de clôture peuvent facilement être endommagés par le fil.



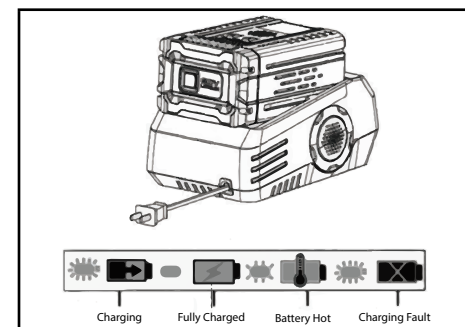
**CHARGEUR DE BATTERIE**

**CARACTÉRISTIQUES**

Chargeur: C8360/C8362  
 Entrée : 120-240 V AC, 50/60 Hz, 3 A max.  
 Sortie : 63 V DC, 4,5 A max.  
 Poids : 2,6 lb (1,2 kg)

**PROCÉDURE DE CHARGE (Voir Figure 7)**

**REMARQUE:** la batterie n'est pas expédiée complètement chargée. Il est recommandé de la charger complètement avant la première utilisation pour garantir une durée de fonctionnement maximale. Cette batterie lithium-ion ne développera pas de mémoire et pourra être rechargée à tout moment.



LED STATUS	LA DESCRIPTION
Vert clignotant	Charge en cours
Vert fixe	Entièrement chargé
Rouge fixe	Veille
Rouge clignotant (rapide)	Défaut de charge
Rouge clignotant (lent)	Batterie en surchauffe

**Remarque sur les faux défauts:**

Lorsque la batterie est insérée dans le chargeur et que la LED d'état clignote en ROUGE, retirez la batterie du chargeur pendant 1 minute, puis réinsérez-la. Si la LED d'état clignote en VERT, la batterie se charge correctement. Si la LED d'état clignote toujours en ROUGE, retirez la batterie et débranchez le chargeur pendant 1 minute. Après 1 minute, branchez le chargeur et réinsérez la batterie. Si la LED d'état clignote en VERT, la batterie se charge correctement. Si la LED d'état

clignote toujours en ROUGE, la batterie est défectueuse et doit être remplacée.

**VÉRIFICATION DE LA CHARGE**

Si la batterie ne se charge pas correctement :  
 Vérifiez le courant à la prise de courant avec un autre outil. Assurez-vous que la prise n'est pas éteinte.  
 Vérifiez que les contacts du chargeur n'ont pas été court-circuités par des débris ou des corps étrangers.  
 Si la température de l'air est supérieure à 104 °F ou inférieure à 45 °F, déplacez le chargeur et la batterie dans un endroit à température ambiante.

**⚠ AVERTISSEMENT**

Si la batterie est insérée dans le chargeur lorsqu'elle est tiède ou chaude, le voyant LED DE CHARGE du chargeur peut s'allumer en ROUGE. Si cela se produit, laissez la batterie refroidir à l'intérieur du chargeur pendant 30 minutes. La charge devrait démarrer automatiquement une fois la batterie refroidie.

**MONTAGE DU CHARGEUR**

1. Ce chargeur peut être fixé au mur à l'aide de deux vis #8 (non incluses).
2. Localisez l'emplacement du chargeur à fixer au mur.
3. Si vous le fixez à des montants en bois, utilisez deux vis à bois (non incluses).
4. Percez deux trous au centre à 5,5 pouces l'un de l'autre en vous assurant qu'ils soient alignés verticalement.
5. En cas de fixation sur des cloisons sèches, utilisez des chevilles murales (non incluses) et des vis pour fixer le chargeur au mur.

Remarque : si la batterie et le chargeur ne seront pas utilisés pendant une longue période, retirez la batterie du chargeur et débranchez la prise d'alimentation CA.

**ENTRETIEN**

**⚠ AVERTISSEMENT**

Afin d'éviter les blessures et les risques d'incendie et de choc électrique, retirez la batterie avant de régler, d'inspecter ou de nettoyer le souffleur.

### Nettoyage

Retirez la batterie.

- Brossez ou soufflez la poussière et les débris hors des bouches d'aération à l'aide d'air comprimé ou d'un aspirateur. Gardez les bouches d'aération exemptes d'obstructions, de sciure de bois et de copeaux de bois. Ne vaporisez, ne lavez ou n'immergez pas les bouches d'aération dans l'eau.
- Essuyez le boîtier et les composants en plastique à l'aide d'un chiffon humide et doux. N'utilisez pas de solvants ou de détergents puissants sur le boîtier en plastique ou les composants en plastique. Certains produits de nettoyage ménagers peuvent causer des dommages et un risque d'électrocution.

### Batterie

- Rangez la batterie une fois celle-ci complètement chargée.
- Une fois que le voyant du chargeur devient vert fixe, retirez la batterie du chargeur et débranchez le chargeur de la prise.
- Ne stockez pas la batterie sur l'outil.
- Après la charge, la batterie peut être stockée dans le chargeur, tant que le chargeur n'est pas branché.

### Entretien du chargeur

Gardez le chargeur propre et exempt de débris. Ne laissez pas de corps étrangers pénétrer dans la cavité encastrée ou sur les contacts. Essayez le chargeur avec un chiffon doux et sec. N'utilisez pas de solvants ou d'eau et ne placez pas le chargeur dans des conditions humides.

Débranchez le chargeur lorsqu'il n'y a pas de batterie dedans.

Chargez complètement les batteries avant de les ranger.

Conservez le chargeur à température ambiante normale. Ne le stockez pas dans une chaleur excessive. N'utilisez pas le chargeur en plein soleil. Rechargez à température ambiante entre 45 °F et 104 °F (7 °C et 40 °C). Si la batterie est chaude, laissez-la refroidir à l'intérieur du

chargeur. La batterie commencera à se charger une fois qu'elle sera revenue à température ambiante.

## ÉLIMINATION DE LA BATTERIE RESPECTUEUSE DE L'ENVIRONNEMENT

### AVERTISSEMENT

Les matériaux toxiques et corrosifs suivants se trouvent dans les batteries utilisées dans ce souffleur Batterie : Lithium-Ion, un matériau toxique.

### AVERTISSEMENT

Tous les matériaux toxiques doivent être éliminés d'une manière spécifiée pour éviter la contamination de l'environnement. Avant de mettre au rebut des batteries au lithium-ion endommagées ou usées, contactez votre agence locale d'élimination des déchets ou l'agence locale de protection de l'environnement pour obtenir des informations et des instructions spécifiques. Apportez les batteries à un centre de recyclage et/ou d'élimination local, certifié pour l'élimination du lithium-ion.

### AVERTISSEMENT

Si la batterie se fissure ou se brise, avec ou sans fuite, ne la rechargez pas et ne l'utilisez pas. Éliminez-la et remplacez-la par une nouvelle batterie.

#### N'ESSAYEZ PAS DE LA RÉPARER !

Pour éviter les blessures et les risques d'incendie, d'explosion ou de choc électrique, et pour éviter d'endommager l'environnement :

- Couvrez les bornes de la batterie avec du ruban adhésif résistant.
- N'essayez PAS de retirer ou de détruire l'un des composants de la batterie.
- N'essayez PAS d'ouvrir la batterie.
- Si une fuite se développe, les électrolytes libérés sont corrosifs et toxiques. NE mettez PAS la solution dans les yeux ou sur la peau et ne l'avalez PAS.
- NE placez PAS la batterie dans vos ordures ménagères ordinaires.
- NE l'incinérerez PAS.
- NE jetez PAS la batterie là où elle fera partie d'une décharge de déchets ou d'un flux de déchets urbains solides.
- Apportez-la à un centre de recyclage ou d'élimination certifié.

## ENTRETIEN

### AVERTISSEMENT

Lors de l'entretien, utilisez uniquement des pièces de rechange identiques. L'utilisation de toute autre pièce peut créer un danger ou endommager l'appareil.

### AVERTISSEMENT

Avant d'inspecter, de nettoyer ou d'entretenir la machine, arrêtez le moteur, attendez que toutes les pièces s'arrêtent et débranchez l'alimentation électrique. Le non-respect de ces instructions peut entraîner des blessures graves ou des dommages appropriés.

### AVERTISSEMENT

Ne laissez à aucun moment des liquides de frein, de l'essence, des produits à base de pétrole, des lubrifiants pénétrants, etc. entrer en contact avec des pièces en plastique. Les produits chimiques peuvent endommager, affaiblir ou détruire le plastique, ce qui peut entraîner des blessures graves.

### ENTRETIEN GÉNÉRAL

Évitez d'utiliser des solvants lors du nettoyage des pièces en plastique. La plupart des plastiques sont susceptibles d'être endommagés par divers types de solvants commerciaux et peuvent être endommagés par leur utilisation. Utilisez un chiffon propre pour enlever la saleté, la poussière, le lubrifiant, la graisse, etc.

**Vous pouvez souvent effectuer les réglages et les réparations décrits ici. Pour les autres réparations : faites entretenir la tête motrice par un revendeur agréé.**

### NETTOYAGE DE LA TÊTE MOTRICE

1. Arrêtez le moteur et retirez la batterie.
2. Nettoyez la saleté et les débris de la tête motrice à l'aide d'un chiffon humide avec un détergent doux.

**Remarque :** n'utilisez pas de détergents puissants sur le boîtier en plastique ou la poignée. Ils peuvent être endommagés par certaines huiles aromatiques comme le pin et le citron, et par des solvants comme le kérosène.

**RANGEMENT DE LA TÊTE MOTRICE**

- Nettoyez tous les corps étrangers de l'appareil.
- Rangez-le dans un endroit bien ventilé et inaccessible aux enfants.
- Tenez-le à l'écart des agents corrosifs tels que les produits chimiques de jardin et les sels de déneigement.

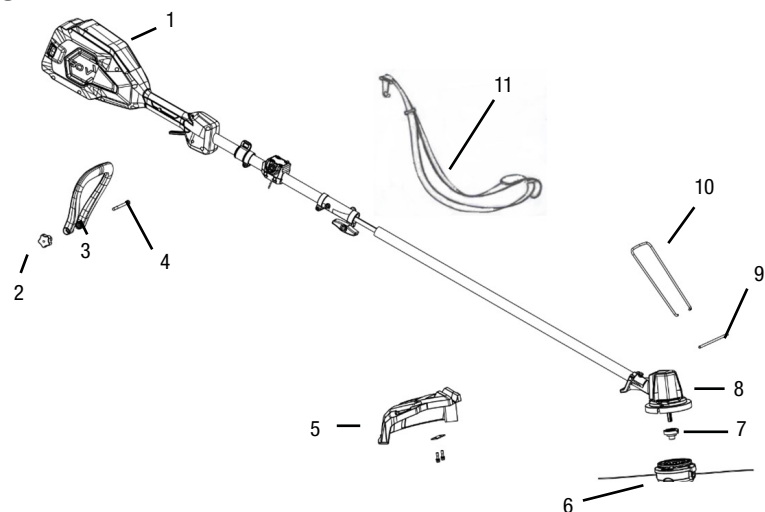
**⚠ AVERTISSEMENT**

Ne rangez pas le coupe-bordures au soleil, dans un endroit excessivement chaud ou à proximité d'une fournaise. La durée de vie de la batterie en serait raccourcie.

**DÉPANNAGE**

PROBLÈME	CAUSE POSSIBLE	SOLUTION
Le moteur ne démarre pas lorsque la gâchette est enfoncée. L'indicateur LED de l'outil clignote 1 à 19 fois.	Le moteur ne démarre pas lorsque la gâchette est enfoncée. L'indicateur LED de l'outil clignote 1 à 19 fois.	1. Relâchez la gâchette et redémarrez la machine après 3 à 5 s ; ou 2. Arrêtez le fonctionnement et laissez refroidir l'outil, ou chargez la batterie.
	La batterie n'est pas sécurisée.	Pour fixer la batterie, assurez-vous que les loquets du compartiment de la batterie s'enclenchent.
Le coupe-bordures s'arrête pendant la coupe.	La tête de coupe est contrainte.	Arrêtez le coupe-bordures, retirez la batterie et retirez l'herbe de la tête de coupe.
	La batterie est trop chaude.	Retirez la batterie et laissez-la refroidir dans un endroit frais et sec.
	La batterie est complètement déchargée.	Rechargez la batterie selon les instructions du manuel de la batterie.
Le fil n'avance pas.	Il n'y a pas assez de fil dans la bobine.	Retirez la batterie et remplacez le fil de coupe.
Le coupe-bordures est toujours à basse vitesse.	Le fil de coupe est trop court ou la charge est faible.	Heurtez la tête de coupe pour libérer le fil, et la vitesse augmentera en fonction de la charge.
L'indicateur LED de l'outil clignote 1 à 19 fois, le moteur ne démarre pas.	Défaut du contrôleur de moteur, ou surchauffe, ou batterie faible, ou surcharge, etc.	1. Relâchez la gâchette et redémarrez la machine après 3 à 5 s ; ou 2. Arrêtez le fonctionnement et laissez refroidir l'outil et la batterie ; ou 3. Chargez la batterie.

## VUE ÉCLATÉE



Numéro d'article	Numéro de pièce	Description	Qté
1	2800220014	Poignée arrière	1
2	2800030016	Poignée auxiliaire	1
3	2800030003	Vis de poignée auxiliaire	1
4	2800020003	Bouton de poignée auxiliaire	1
5	2800020005	Assemblage de protection	1
6	2800020001	Tête de coupe à fil	1
7	2800030037	Rondelle	1
8	2800020012	Moteur SA	1
9	2800030040	Barre d'outils	1
10	2800030041	Protège-fleurs	1
11	2800030044	Harnais d'épaule	1

## GARANTIE

## Retours

Nous offrons une garantie de remboursement de 30 jours sans équivoques pour toutes les marchandises expédiées correctement qui ne sont pas nécessaires. L'acheteur sera responsable des frais de retour et d'emballage et tous les frais d'expédition d'origine ne sont pas remboursables. Les marchandises doivent être retournées dans un état approprié à la revente et, si possible, doivent être retournées dans leur emballage d'origine.

Les marchandises qui sont fabriquées spécifiquement pour une commande et expédiées correctement ne peuvent pas être retournées.

Si le mauvais article est reçu, il incombe à l'acheteur de nous en informer par écrit dans les 7 jours suivant la réception. Des dispositions seront alors prises pour que l'article incorrect soit récupéré et qu'un article de remplacement soit expédié.

## Conditions de garantie

Chez Warrior, nous comprenons l'importance de la garantie pour le service et la réparation, nous offrons une garantie standard de 3 ans (outils uniquement) et 1 an (batterie uniquement) sans qu'il soit nécessaire d'enregistrer votre achat.

Veillez consulter les limitations ci-dessous et lire les conditions générales complètes concernant la garantie offerte sur un produit particulier.

Tout ce dont nous avons besoin est soit une copie de la preuve d'achat originale, soit une facture fournie par le détaillant au moment de l'achat pour permettre la réclamation. Veuillez conserver votre preuve d'achat en lieu sûr pendant la durée de vos conditions, dans le cas où vous auriez besoin de notre support technique, nous vous demanderons de le fournir sur chaque réclamation, AUCUNE preuve d'achat, aucune réclamation au titre de la garantie ne sera retardée ou rejetée.

Les frais de transport de tout produit ou pièce(s) soumis pour réparation ou remplacement en vertu de cette garantie sont à la charge exclusive de l'acheteur. Cette garantie s'applique uniquement à l'acheteur original et n'est pas transférable.

Ne retournez pas l'unité au lieu d'achat

Contactez le support technique et nous résoudrons tout problème par téléphone ou par e-mail. Si le problème n'est pas résolu par cette méthode, nous autoriserons, à discrétion, une évaluation, une réparation ou un remplacement du produit, des pièces ou des composants défectueux dans notre propre atelier de centre de service. Si et quand un produit doit être remplacé, dans la plupart des cas, ce sera sur une base comparable et non pas un ancien pour un nouveau. Nous vous fournirons un numéro de dossier pour le service de garantie et cela peut être contrôlé via votre compte de connexion. Veuillez le conserver pour référence future. Les réparations ou les remplacements sans autorisation préalable, ou dans un centre de réparation non autorisé, ne seront pas couverts par cette garantie. Nous avons des exclusions de garantie pour les clients en dehors du Royaume-Uni, veuillez consulter nos conditions générales complètes.

## Exclusions de Garantie

## CETTE GARANTIE NE COUVRE PAS CE QUI SUIT :

## USURE NORMALE

Votre produit a besoin de pièces et d'un service périodique pour bien fonctionner. Cette garantie ne couvre pas la réparation lorsque l'utilisation normale a épuisé la durée de vie d'une pièce ou de l'équipement dans son ensemble.

## INSTALLATION, UTILISATION ET ENTRETIEN

Cette garantie sera annulée et (ou) ne s'appliquera pas aux pièces ou à la main-d'œuvre si votre produit est réputé avoir été mal utilisé, négligé, impliqué dans un accident, abusé, surchargé au-delà des limites, modifié, installé de manière incorrecte ou connecté de manière incorrecte à tout composant ou système de charge de la batterie. L'entretien normal n'est pas couvert par cette garantie.

## Autres exclusions

Cette garantie exclut

- Défauts cosmétiques tels que peinture, décalcomanies, autocollants ou outils accessoires
- Pièces de rechange, y compris les lames, les cordes, les chaînes, les barres ou les sacs
- Tout composant électrique autre que l'unité de commande principale comme les fusibles, les connecteurs, les cadrans, les boutons ou les leviers.
- Les défaillances dues à des cas fortuits et à d'autres événements de force majeure indépendants de la volonté du fabricant
- Problèmes causés par des pièces qui ne sont pas d'origine
- Altération ou modification(s) apportée(s) par toute partie autre que le fabricant
- Tout équipement électrique tiers

Toutes les piles fournies ont plus d'un an.

Limites de la garantie implicite et des dommages indirects

BPE Holdings (Warrior Eco Power Equipment) décline toute obligation de couvrir toute perte de temps, d'utilisation de ce produit, de fret ou tout coût de réclamation accessoire ou consécutif par toute personne utilisant ce produit.

CETTE GARANTIE REMPLACE TOUTES LES AUTRES GARANTIES, EXPRESSES OU IMPLICITES, Y COMPRIS LES GARANTIES DE QUALITÉ MARCHANDE OU D'ADAPTATION À UN USAGE PARTICULIER.

Une unité fournie en échange sera soumise à la garantie de l'unité d'origine. La durée de la garantie de l'unité échangée restera calculée par référence à la date d'achat de l'unité d'origine. Cette garantie vous donne certains droits légaux qui peuvent changer d'un pays à l'autre. Votre pays peut également avoir d'autres droits auxquels vous pourriez avoir droit et qui ne sont pas répertoriés dans cette garantie.



## BATTERIDRIVEN TRIMMER

### PRODUKTSPECIFIKATIONER

BATTERIDRIVEN TRIMMER	
Typ	sladdlös batteridrivnen
Motor	60Vdc
Battery Pack	BP8302
Strängskärbredd	14/16in
Strängdiameter	0.08" (2.0mm)
Hastighet	4300/6000RPM

SPARA DESSA INSTRUKTIONER. Denna bruksanvisning innehåller viktiga säkerhetsåtgärder som ska läsas och förstås innan produkten används. Underlåtenhet att göra detta kan leda till allvarliga personskador. Denna bruksanvisning bör förbli hos produkten.

Specifikationer, beskrivningar och illustrationer i denna bruksanvisning är så exakta som möjligt vid tidpunkten för publicering, men kan ändras utan föregående meddelande.

# ALLMÄNNA SÄKERHETSREGLER

## VARNING

Läs och förstå alla instruktioner innan du använder denna produkt. Underlåtenhet att följa alla anvisningar nedan kan leda till elektrisk stöt, brand och / eller allvarlig personskada.

- Använd inte elverktyg i explosiva atmosfärer, t.ex. i närvaro av brandfarliga vätskor, gaser eller damm. Elverktyg skapar gnistor som kan antända damm eller ångor.
- Låt inte barn eller utbildade personer använda denna enhet.
- Utsätt inte elverktyg för regn eller våta förhållanden. Vatten som kommer in i ett elverktyg ökar risken för elektriska stötar.
- Hantera inte kontakten eller verktyget med våta händer.
- Låt aldrig barn använda utrustningen. Låt aldrig vuxna använda utrustningen utan korrekt instruktion.
- Bär alltid skyddsglasögon med sidoskydd märkta för att uppfylla ANSI 287.1. Vardagsglasögon har bara slagfast linser. Det är inte skyddsglasögon. Följ denna regel minskar risken för ögonskador. Använd ansiktsmask om operationen är dammig.
- Säkra långt hår över axelnivån för att förhindra intrassling i rörliga delar.
- Utsätt inte för regn, förvara inomhus.
- Använd inte dålig belysning.
- Håll alla kroppsdelar borta från alla rörliga delar.
- Håll hår, lösa kläder, fingrar och alla kroppsdelar borta från öppningar och rörliga delar.
- Bär långa byxor, stövlar och handskar. Undvik lösa plagg och smycken som kan fastna i rörliga delar av maskinen eller motorn.
- Tvinga inte verktyget. Använd rätt verktyg för din applikation. Rätt verktyg kommer att göra jobbet bättre och säkrare i takt med vilken det är utformat.
- Använd inte utrustningen medan du är barfota eller när du bär sandaler eller liknande lätta skor.

Bär skyddande skor som skyddar dina fötter och förbättrar foten på

- hala ytor.
- Håll fast fot och balans. Överskrid inte. Överdrivning kan resultera i förlust av balans och skada.
- Närmare användning är nödvändig när den används av eller i närheten av barn. Ingen under 16 år ska använda denna utrustning.
- • Använd inte verktyget om omkopplaren inte slår på eller stänger av det. Allt verktyg som inte kan styras med omkopplaren är farligt och måste repareras.
- Håll alla åskådare, barn och husdjur minst 50 fot borta.
- Använd inte enheten om du är trött, sjuk eller påverkad av alkohol, droger eller medicinering.
- Håll alla kroppsdelar borta från rörliga delar och alla heta ytor på enheten.
- Lägg inte något föremål i öppningarna. Använd inte den med någon blockerad öppning, håll alltid öppningarna fria från damm, ludd, hår och allt som kan minska luftflödet.
- Kontrollera arbetsområdet före varje användning. Ta bort alla föremål som stenar, trasiga glas, spikar, tråd eller tråd som kan kastas eller trassla in i maskinen.
- 
- Använd endast identiska tillverkares reservdelar och tillbehör. Användning av andra delar kan skapa risk eller skada produkten.
- Ladda eller använd inte trådlösa verktyg under fuktiga, våta eller regniga förhållanden. Genom att följa denna regel minskar risken för elektriska stötar och livsfara..
- Trådlösa verktyg behöver inte anslutas till ett eluttag; därför är de alltid i driftskick. Var medveten om eventuella faror när du inte använder det trådlösa verktyget eller när du byter batteri. Om du följer denna regel minskar du risken för elektrisk stöt, brand eller allvarlig personskada.
- Ta bort eller koppla ur batteriet innan service, rengöring eller borttagning av elementen från utrustningen..
- Använd endast de ursprungliga leverantörsbatterierna.

- Förvaring av utrustning - När den inte används bör snörtrimmer förvaras inomhus på en torr, låst plats utom räckhåll för barn.
- Kassera inte batterierna i en eld. Cellerna kan explodera. Kontrollera med lokala myndigheter för eventuella speciella bortskaffningsplatser.
- Öppna eller stänk inte batterierna. Släppt elektrolyt är frätande och kan orsaka skador på ögonen eller huden. Det kan vara giftigt vid förtäring och om det inte behandlas direkt..
- Placera inte trådlösa verktyg eller deras batterier nära eld eller värme. Detta kommer att minska risken för explosion och möjlig personskada..
- Batterier kan explodera i närvaro av en antändningskälla, till exempel en kontrollampa. För att minska risken för allvarlig personskada, använd aldrig någon trådlös produkt i närvaro av öppen eld. Ett exploderande batteri kan driva skräp och kemikalier. Sköj omedelbart med vatten om du utsätts.
- Krossa inte, tappa inte eller skada batteriet. Använd inte ett batteripaket eller en laddare som har tappats, fått ett kraftigt slag eller missförstört. Ett skadat batteri kan utsättas för explosion. Kassera omedelbart ett tappat eller skadat batteri.
- Var försiktig när du hanterar batterier för att inte förkorta batteriet med ledande material som ringar, armband och nycklar. Batteriet eller ledaren kan överhettas och orsaka allvarliga brännskador.
- För bästa resultat bör ditt batteri laddas på en plats där temperaturen är mer än 45 men mindre än 104 . För att minska risken för allvarlig personskada, förvara inte utomhus eller i fordon.
- Under extrem användning eller temperaturförhållanden kan batteriläckage uppstå. Om vätska kommer i kontakt med huden, tvätta genast med tvål och vatten och neutralisera sedan med citronsaft eller vinäger. Om vätska tränger in i ögonen, spola dem med rent vatten i minst 10 minuter och sök omedelbart läkarhjälp. Genom att följa denna regel minskar risken för allvarlig personskada.
- Om nätsladden är skadad måste den endast bytas ut av tillverkaren eller av ett auktoriserat servicecenter för att undvika risk för personskador.
- Rikta inte strängarna i riktning mot människor eller husdjur.

- Underhåll verktyget med försiktighet. Håll ventilerna rena för bästa och säkraste prestanda. Följ instruktionerna för korrekt underhåll. Försök inte att rensa tilltäppta delar från verktyget utan att först koppla bort eller ta bort batteriet.
- För att minska risken för elektrisk stöt, utsätt dig inte för regn, använd inte på fuktiga eller våta ytor. Förvara alltid inomhus i ett torrt kallt område.
- Använd inte under regn eller våta förhållanden.
- 
- Använd rätt apparat - Använd inte utrustningen för något jobb förutom det som det är avsett för.
- Undvik oavsiktlig start - Bär inte strängarna med fingrarna på brytaren. Se till att batteriet är borttaget under transporten.
- Kontrollera om det är skadade delar Innan utrustningen används bör en skydd eller annan del som är skadad nog kontrolleras för att fastställa att den fungerar korrekt och utför den avsedda funktionen. Kontrollera för justering av rörliga delar, bindning av rörliga delar, brott i delar, montering och alla andra tillstånd som kan påverka dess funktion. En skydd eller annan del som är skadad bör repareras eller bytas ut av ett auktoriserat servicecenter såvida inte annat anges i denna handbok.
- Spara dessa instruktioner. Se dem ofta och använd dem för att instruera andra som kan använda detta elverktyg. Om du lånar någon detta elverktyg, låna dem också dessa instruktioner.

## BARNSÄKERHETSINSTRUKTIONER

- Tragiska olyckor kan inträffa om operatören inte är medveten om barnens närvaro.
- Håll barn borta från arbetsområdet och under en omsorgsfull vuxen.
- Låt inte barn under 16 år använda denna trimmer. Barn som är 16 år och äldre måste läsa och förstå bruksanvisningen och säkerhetsreglerna i denna manual och måste utbildas och övervakas av en förälder.
- Var uppmärksam och stäng av beskäraren om ett barn eller någon annan kommer in i arbetsområdet.
- Titta bakom och ner för små barn före och medan du klipper bakåt.
- Var extremt försiktig när du närmar dig blinda hörn, dörröppningar, buskar, träd eller andra föremål som

kan dölja din syn på ett barn som kan komma in i trimmerens väg.









### VARNING

För att undvika allvarlig personskada, försök inte använda denna produkt förrän du har läst denna bruksanvisning noggrant och förstå den fullständigt. Om du inte förstår varningarna och instruktionerna i denna bruksanvisning, använd inte den här produkten och kontakta din lokala leverantör..

Användning av alla elverktyg kan leda till att främmande föremål kastas i ögonen, vilket kan leda till allvarliga ögonskador. Innan du använder ett elverktyg ska du alltid använda skyddsglasögon eller skyddsglasögon med sidoskydd. En full ansiktssköld rekommenderas. Vi rekommenderar en Wide Vision Safety Mask för användning över glasögon eller standard skyddsglasögon med sidoskydd. Använd alltid ögonskydd som är märkt för att uppfylla ANSI Z87.1

## SYMBOLER

Vissa av följande symboler kan användas på den här produkten. Studera dem och lär dig deras betydelse. Korrekt tolkning av dessa symboler gör att du kan använda produkten bättre och säkrare.

SYMBOLER	MENANDE
V	<b>Voltage - Spänning</b>
A	<b>Amps- Nuvarande</b>
Hz	<b>Hertz - Frekvens (cycles per second)</b>
W	<b>Watts - Kraft</b>
Min	<b>Minutes- Tid</b>
~	<b>Alternating Current - Typ av ström</b>
— — —	<b>Direct Current - Strömens typ eller karakteristik</b>
	<b>No Load Speed.</b> Rational hastighet, utan belastning
/Min	<b>Per Minute.</b> Varv, slag, ythastighet, banor etc. per minut
	<b>Wet Conditions Alert.</b> Utsätt inte för regn eller användning på fuktiga platser.
	<b>Read The Operator's Manual.</b> För att minska risken för skada måste användaren läsa och förstå bruksanvisningen innan du använder den här produkten.
	<b>Eye and Hearing Protection.</b> Bär alltid ögonskydd med sidoskydd märkta för att uppfylla ANSI 287 .1 tillsammans med "Hörselskydd när du använder denna utrustning.
	<b>Safety Alert.</b> Försiktighetsåtgärder som innebär din säkerhet.
	<b>Class II Construction.</b> Dubbelisolerad konstruktion.
	<b>Ricochet.</b> Kastade föremål kan rikoschocka och leda till personskada eller materiella skador
	<b>Keep Bystanders Away.</b> Håll alla åskådare minst 50 fot borta.



Följande signalord och betydelse är avsedda att förklara risknivån förknippad med denna produkt.

**FARA**

FARA anger en farlig situation som, om den inte undviks, kommer att leda till dödsfall eller allvarlig personskada.

**VARNING**

VARNING betecknar en farlig situation som, om den inte undviks, kan leda till dödsfall eller allvarliga personsador.

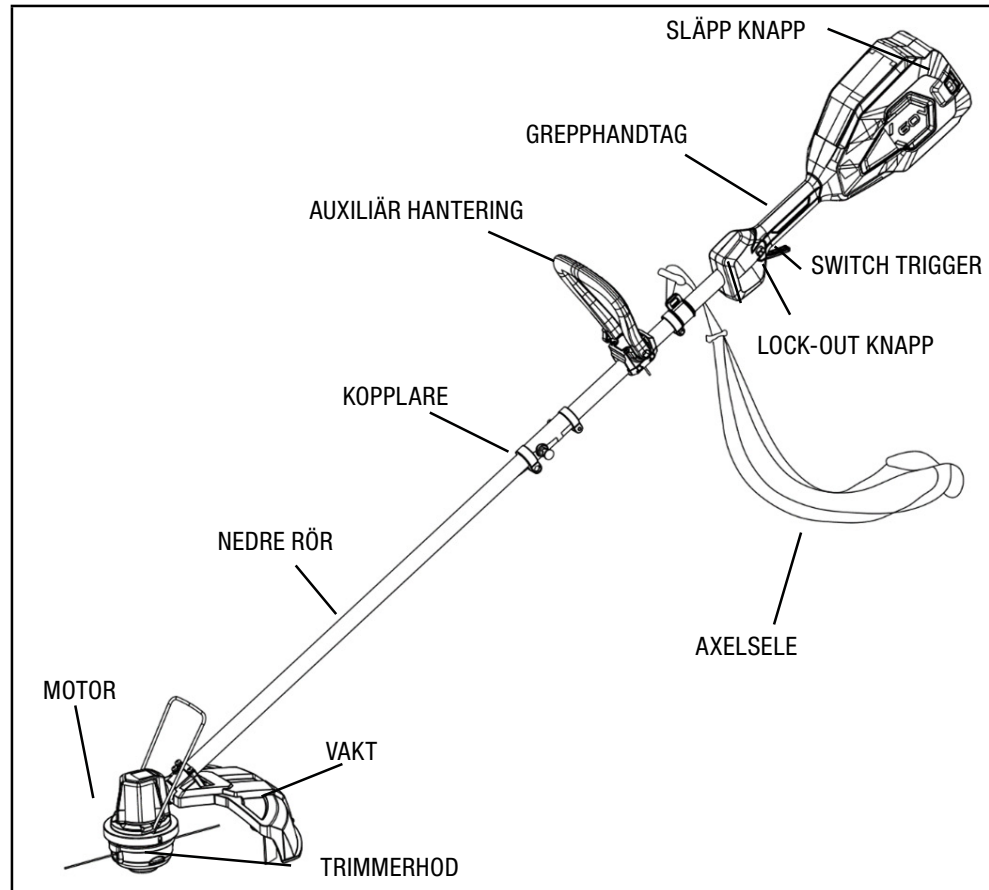
**FÖRSIKTIGHET**

FÖRSIKTIGHET betecknar en farlig situation som, om den inte undviks, kan leda till mindre eller måttliga personsador.

**OBSERVERA**

OBSERVERA betecknar information som anses viktig, men inte är farerelaterad (t.ex. meddelanden som avser egendomsskada).

## VETA DIN STRÄNG STRIMMER



### VETA DIN STRÄNG STRIMMER

En säker användning av denna produkt kräver en förståelse för informationen om produkten och i denna bruksanvisning samt kunskap om projektet du försöker. Innan du använder denna produkt, bekanta dig med alla driftsfunktioner och säkerhetsregler.

#### AUXILIÄR HANTERING

Strängarna är utrustad med ett extrahandtag för att underlätta drift och för att förhindra förlust av kontroll.

#### VIKT

Trimmeren har en skydd som skyddar dig mot flygande skräp.

#### UPPACKNING

Denna produkt kräver montering.

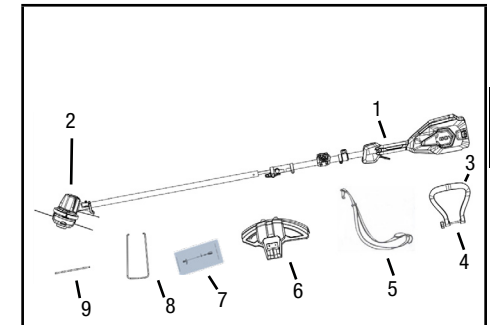
- Ta försiktigt bort produkten och alla tillbehör från lådan. Se till att alla artiklar som finns i förpackningslistan ingår.
- Kontrollera verktyget noggrant för att se till att inga skador eller skador inträffade under shopping.
- Kassera inte förpackningsmaterialet förrän du noggrant har inspekterat och använt verktyget på tillfredsställande sätt.

**VARNING**

Använd inte den här produkten om några delar på förpackningslistan redan är monterade på din produkt när du packar upp den. Delar i denna lista monteras inte på produkten av tillverkaren och kräver kundinstallation. Användning av en produkt som kan ha monterats felaktigt kan leda till allvarlig personskada.

### PACKINGLISTA

1. Bakre handtag (W/PCB)
2. String trimmer head (W/motor)
3. Extrahandtag
4. Extrahandtag skruvar
5. Axelsele
6. Vikt
7. Ägarmanual
8. Flower protector
9. Tool bar



## MONTERING

### ⚠ VARNING

Om några delar är skadade eller saknas ska du inte använda produkten förrän delarna har bytts ut. Användning av denna produkt med skadad eller saknad del kan leda till allvarlig personskada.

### ⚠ VARNING

Försök inte att modifiera den här produkten eller skapa tillbehör som inte rekommenderas för användning med denna strimmer. Alla sådana ändringar eller modifieringar är missbruk och kan leda till ett farligt tillstånd som kan leda till allvarlig personskada och ogiltigförklara den erbjudna garantin.

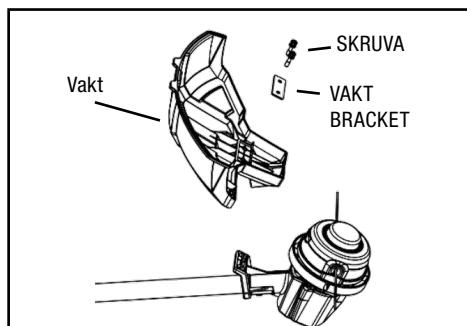
### ⚠ VARNING

Anslut inte till strömförsörjningen förrän monteringen är klar. Underlåtenhet att följa detta kan leda till oavsiktlig start och möjlig allvarlig personskada.

### MONTERA SKYDD

**NOTERA:** Montera skyddet innan fästen ansluts till det bakre handtaget.

- Ta bort batteriet.
- Vänd upp och ned snörtrimmern för att komma åt trimmerhuvudet.
- Ta bort de förinstallerade skruvarna från trimmerhuvudet med en medföljande skruvmejsel.
- Sätt skyddet på trimmerhuvudet och skjut vakt på huvudet genom att följa spåret på huvudet
- Rikta in skruvhålen på vakt med skruvhålen på trimmerhuvudet.
- Sätt i skruvarna i trimmerhuvudet och fäst vakt på plats.



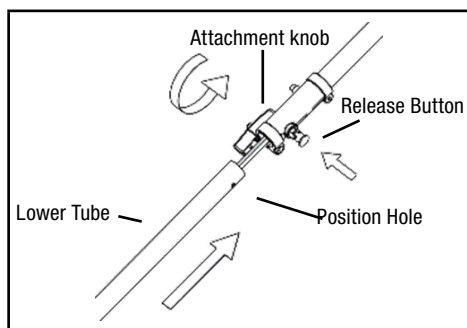
### ⚠ VARNING

Läs och förstå hela bruksanvisningen för varje tillbehör som används på detta krafthuvud och följ alla varningar och instruktioner. Underlåtenhet att följa alla instruktioner kan leda till elektrisk stöt, brand eller allvarlig.

### ⚠ VARNING

Installera, ta bort eller justera aldrig någon tillbehör medan elhuvudet är igång. Underlåtenhet att stoppa motorn kan orsaka allvarlig personskada. Använd aldrig krafthuvudet utan tillbehör.

Installera stränghjulshuvudet (nedre röret) på det bakre handtaget



**NOTERA:** När du använder stränghjulshuvudet ska du bara använda en diameter på 0,080 tum.

Tillbehöret ansluts till det bakre handtaget (övre röret) med hjälp av en kopplingsanordning.

- Lossa fästvredet på kopplingen.
- Tryck in frigöringsknappen på fästaxeln. Rikta in knappen med styrspåret på krafthuvudkopplingen och skjut de två axlarna ihop. Vrid fästaxeln tills knappen låses fast i positioneringshålet.

**NOTERA:** Om knappen inte frigörs helt i positioneringshålen, låses axlarna inte på plats. Vrid lätt från sida till sida tills knappen är låst på plats.

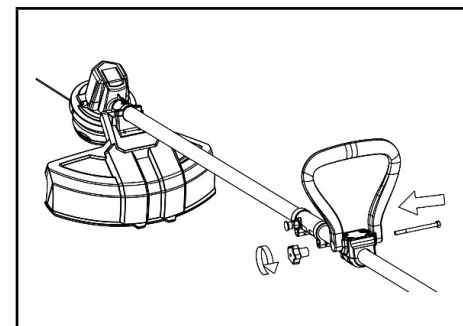
Dra åt fästvredet ordentligt.

### Ta bort det nedre röret från det bakre handtaget (UPPER TUBE)

För att ta bort eller ändra bilagan

- Stoppa utrustningen.
- Ta bort batteriet från det bakre handtaget.
- Lossa fästvredet.
- Tryck in frigöringsknappen och vrid axlarna för att ta bort och separera ändarna

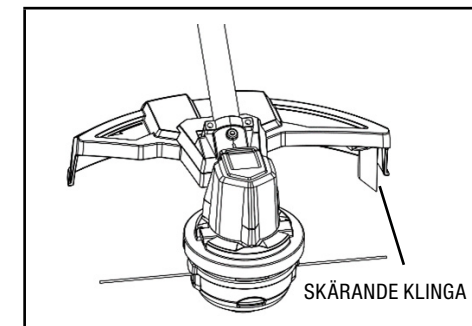
### INSTALLERA HANDTAGET



- Tryck på handtaget på krafthuvudets axel så att handtaget är vinklat bakåt för att möjliggöra bekväm användning.
- Skjut bultarna genom hålen i handtaget och dra åt dem ordentligt med en skruvmejsel (ingår inte).

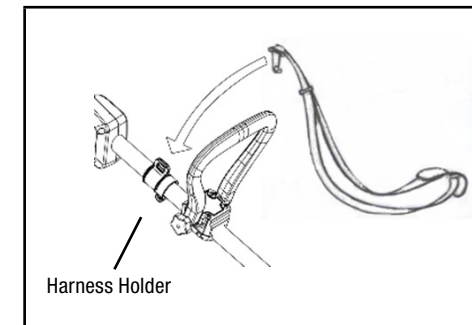
### LINJE STRIMMING SKÄRA AV

Trimmern är utrustad med en skärningsklinga på linjen på vakt. Byt ut strängen när trimningseffektiviteten minskar. Detta bibehåller bästa prestanda.



### INSTALLERA AXELSELE

- Vrid selehållaren uppåt.
- Haka fast ett axelbälte på Fästet.



## FUNKTION

**⚠ VARNING**

Läs och förstå hela bruksanvisningen för varje tillbehör som används på detta strömhuvud och följ alla varningar och instruktioner. Underlåtenhet att följa alla instruktioner kan resultera i elektrisk stöt, brand eller allvarlig personskada..

**⚠ VARNING**

Använd inga tillbehör eller tillbehör som inte rekommenderas av tillverkaren av denna produkt. Användning av tillbehör eller tillbehör som inte rekommenderas kan resultera i allvarliga personskador och upphäver all garanti som erbjuds.

**⚠ VARNING**

All kontakt med skärhuvudet kan leda till brännskador eller annan allvarlig personskada.

**⚠ VARNING**

Läs säkerhetsinformationen för säker användning när du använder en bladfäste och hänvisa till säkerhetsregler och instruktioner i din bilaga. Använd aldrig en borstfräsutrustning med detta elektriska krafthuvud. Felaktig användning av ett kniv eller tillbehör kan leda till allvarliga skador.

## LÅSA UT KNAPPEN

Låsningknappen minskar risken för oavsiktlig start. Låsningknappen finns på handtaget bredvid omkopplaren. Låsknappen måste tryckas in innan du trycker på brytaren. Låset återställs varje gång utlösaren släpps.

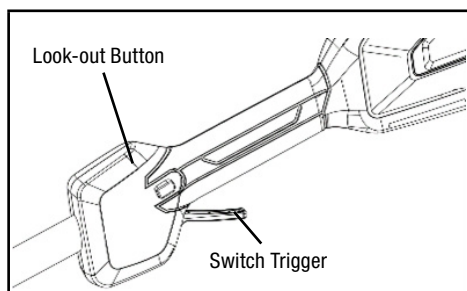
## STARTA OCH STOPP AV TRIMMEREN

## Startande:

- Sätt i batteriet i det bakre handtaget.
- Tryck in låsningknappen och tryck på omkopplaren.
- Hastigheten kommer att ökas beroende på lasten och lysdioden visar arbetsläget.

## Sluta:

- Släpp omkopplaren.



## DRIFT AV TRIMMEREN

Håll det bakre handtaget med din högra hand på det bakre handtaget och din vänstra hand på det övre handtaget. Håll ett fast grepp med båda händerna under drift. Det bakre handtaget ska hållas i ett bekvämt läge med det bakre handtaget ungefär höfthöjden.

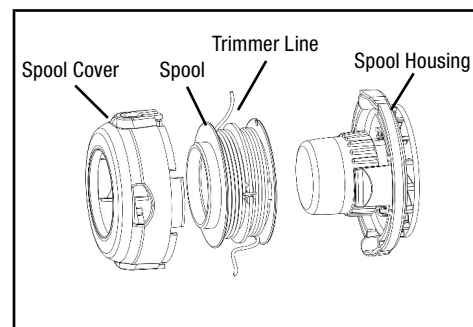
Använd alltid bakre handtaget med full gas. Om skräp lindas runt fästet, släpp strömbrytaren och ta bort skräpet.



## BYT DE LINJE

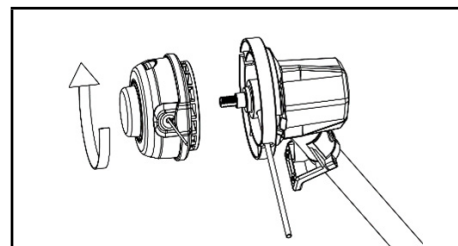
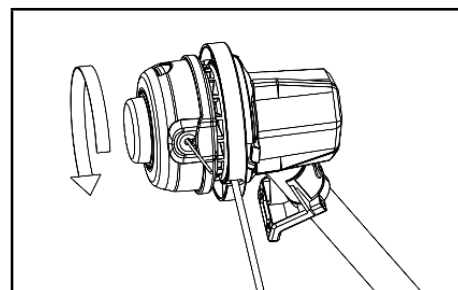
1. Tryck fast in flikarna på vardera sidan av spolskyddet.
2. Ta bort spolskyddet från spolhuset.
3. Ta bort överskott av trimmerlinje eller hinder från spolen.
4. Använd en ren trasa för att torka bort alla skräp från spolen..
5. Sätt tillbaka den nya linjen på spolhuset.

6. Rikta in flikarna på omslaget med stolparna på omslaget. Tryck på locket tills flikarna är ordentligt låsta i läge.



## Borttagning / byte av stränghuvud

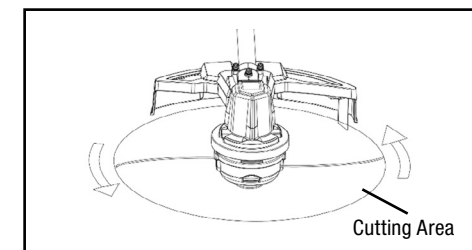
1. Rikta upp distanshålet med hålet i motorhuset.
2. Placera en liten skruvmejsel eller metallstång (medföljer) i distanshålet.
3. Vrid huvudet medurs för att lossa och ta bort.
4. Vänd steg 1-3 för att installera om samma stränghuvud.



*Notera: Om du lägger ett annat stränghuvud på den här enheten följer du tillverkarens instruktioner för att installera det huvudet.*

## SKÄRTIPS

- Håll trimmeren lutad mot det område som skärs. Detta är det bästa skärområdet.
- Trimmeren skärs när du passerar enheten från höger till vänster. Detta undviker att kasta skräp mot operatören. Undvik att skära i det farliga området som visas i figur 12.
- Använd snöret för att klippa; tvinga inte stränghuvudet i oklippt gräs.
- Tråd- och staketstängningar orsakar extra slitage och brytning av strängar. Sten- och tegelväggar, kantstenar och trä kan bära snöre snabbt.
- Undvik träd och buskar. Träbark, trälistor, sidospår och stängselstolpar kan enkelt vara skadad av strängen.



## BATTERILADDARE

## SPECIFIKATIONER

Laddare: C8360/C8362

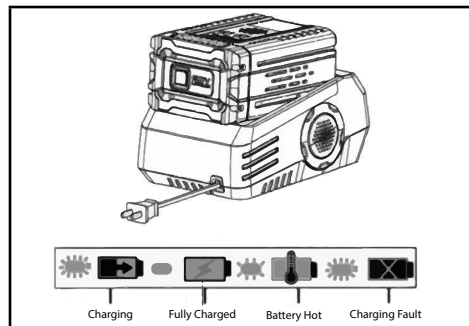
Inmatning: 120-240VAC, 50/60Hz, Max.3A

utmatning: 63VDC. Max.4.5A

tyngd: 2.6 lbs (1.2kg)

## LADDNINGSFÖRFARANDE

**Observera:** Batteriet levereras inte fulladdat. Det rekommenderas att ladda helt före första användningen för att säkerställa att maximal körningstid kan uppnås. Detta litiumjonbatteri kommer inte att utveckla ett minne och kan laddas när som helst.



LED STATUS	DESCRIPTION
Blinkning Grön	Laddning
Solid Grön	Fulladdad
Solid Röd	Stå vid makten
Blinkning Röd(quick)	Laddningsfel
Blinkning Röd (slow)	Över temperatur

## Låg spänning laddning:

Om batteriet har lagrats med lite till ingen laddning under en lång tid, laddaren går i återställningsläge, vilket tar mer tid att ladda batteriet helt. Detta kommer att förbättra batteriets livslängd. När den är fulladdad återgår nästa laddning till standardladdning.

Ett helt urladdat batteri kräver den tilldelade tiden som anges i batterihandboken. Anslut laddaren till ett vägguttag.

Sätt i batteriet i laddaren.

Detta är en diagnostisk laddare. Laddarens LED-lampor tänds i specifik ordning för att kommunicera aktuell batteristatus

Felaktig anmärkning:

När batteriet sätts in i laddaren och statusindikatorn blinkar RÖD, ta bort batteriet från laddaren i 1 minut och sätt sedan in den igen.. Om status-LED blinkar GRÖN, laddar batteriet ordentligt. Om statuslampan fortfarande blinkar RÖD, ta bort batteriet och koppla ur laddaren i 1 minut. Koppla in laddaren efter 1 minut och sätt i batteriet igen. Om status-LED blinkar GRÖN, laddar batteriet ordentligt. Om statuslampan fortfarande blinkar RÖD, är batteriet defekt och måste bytas ut.

## Kontrollera laddningen

Om batteriet inte laddas ordentligt:

Kontrollera strömmen vid eluttaget med ett annat verktyg. Se till att uttaget inte är avstängt.

Kontrollera att laddarkontakterna inte har kortslutits med skräp eller främmande material.

Om lufttemperaturen är över 104 ° F eller under 45 ° F, flytta laddaren och batteripaketet till en rumstemperaturplats.

 **VARNING**

Om batteriet sätts in i laddaren när det är varmt eller varmt kan lampan CHARGING LED på laddaren tändas och tänds RÖD. Om detta inträffar låt batteriet svalna inuti laddaren i upp till 30 minuter. Laddningen bör starta automatiskt när batteriet har svalnat.

## LADDARE MONTERING

1. Denna laddare kan installeras hängande på en vägg med två # 8 skruvar (ingår inte).
2. Leta reda på placeringen för laddaren som ska monteras på väggen.
3. Använd fyra skruvar (ingår ej) om du fäster på träbultar.
4. Borra två hål på mitten 5,5 tum. Bortsett från att se till att de är vertikalt i linje.
5. Använd väggankare (ingår ej) och skruvar för att fästa laddaren på väggen vid fästning på gipsvägg.

Observera: Om batteriet och laddaren inte kommer att användas på länge tar du bort batteriet från laddaren och drar ut nätkontakten.

## UNDERHÅLL

 **VARNING**

För att undvika personskador och risken för brand och elektriska stötar, ta bort batteripaketet innan du justerar, inspekterar och rengör fläkten.

## Städning

Ta bort batteriet.

- Borsta eller blåsa dammtunna skräp ur luftventilerna med tryckluft eller vakuum. Håll luftventilerna fria från hinder, sågspån och flis. Spraya, tvätta eller fördjupa luftventilerna i vatten.
- Torka av höljet och plastkomponenterna med en fuktig, mjuk trasa. Använd inte starka lösningsmedel eller tvättmedel på plasthuset eller plastkomponenterna. Vissa hushållsstädare kan orsaka skador och orsaka chockrisk.

## Batteripaket

- Förvara batteriet helt laddat
- När lampan på laddaren lyser grönt tar du bort batteriet från laddaren och kopplar ur laddaren från uttaget.
- Förvara inte batteriet på verktyget.
- Efter laddning kan batteriet förvaras i laddaren så länge laddaren inte är ansluten.

## Laddareunderhåll

Håll laddaren ren och fri från skräp. Do not allow foreign material to get into the recessed cavity or onto the contacts. Torka av laddaren med en torr, mjuk trasa. Använd inte lösningsmedel eller vatten och placera inte laddaren under våta förhållanden. Koppla ur laddaren när det inte finns något batteripaket i den.

Ladda batterierna helt innan de placeras i förvaring.

Förvara laddaren vid normal rumstemperatur. Förvara den inte på överdriven värme. Använd inte laddaren i direkt solljus. Ladda upp vid rumstemperatur mellan 45 °F och 104 °F (7°C och 40 °C). Om batteripaketet är varmt, låt det svalna inuti laddaren. Batteriet börjar laddas när det har återgått till rumstemperatur.

MILJÖSÄKERT  
BATTERIERFÖRSLAG
 **VARNING**

Följande giftiga och frätande material finns i batterierna som används i denna fläkt  
Batteripaket: Litium-Ion, ett giftigt material..

 **VARNING**

Alla giftiga material måste kasseras på ett specificerat sätt för att förhindra kontaminering av miljön. Innan du bortskaffar skadade eller slitna litium-ion-batteripaket, kontakta ditt lokala avfallsföretag eller den lokala miljöskyddsbyrån för information och specifika instruktioner. Ta batterierna till ett lokalt återvinnings- och / eller bortskaffningscenter, certifierat för litiumjonborttagning.

**! VARNING**

Om batteripaketet spricker eller går sönder, med eller utan läckor, ladda inte upp det och använd det inte. Ta bort det och ersätt det med ett nytt batteri.

**PRÖV INTE ATT REPARERA DET**

För att undvika skador och risk för brand, explosion eller elektrisk stöt och för att undvika skador på miljön:

- Täck batteriets plintar med tung tejp
- Försök INTE ta bort eller förstöra någon av batteriets komponenter.
- Försök INTE öppna batteriet.
- Om en läcka utvecklas är de frigjorda elektrolyterna frätande och giftiga. Få INTE lösningen i ögonen eller på huden och svälj inte den.
- Placera INTE dessa batterier i ditt vanliga hushållsavfall.
- Förbränna INTE.
- Placera INTE dem där de kommer att bli en del av någon deponi för kommunalt fast avfallsström.
- Ta dem till ett certifierat återvinnings- eller bortskaffningscenter.

**UNDERHÅLL****! VARNING**

Använd endast identiska reservdelar vid service. Användning av andra delar kan skapa en fara eller orsaka produktskador.

**! VARNING**

Stäng av motorn innan du inspekterar, rengör eller servar maskinen, vänta tills du flyttar delar för att stoppa och koppla bort strömförsörjningen. Underlåtenhet att följa dessa instruktioner kan leda till allvarlig personskada eller korrekt skada.

**! VARNING**

Låt aldrig bromsvätskor, bensin, petroleumbaserade produkter, penetrerande smörjmedel etc. komma i kontakt med plastdelar. Kemikalier kan skada, försvaga eller förstöra plast som kan leda till allvarlig personskada.

**ALLMÄN UNDERHÅLL**

Undvik att använda lösningsmedel vid rengöring av plastdelar. De flesta plastmaterial är mottagliga för skador från olika typer av kommersiella lösningsmedel och kan skadas av deras användning. Använd ren trasa för att ta bort smuts, damm, smörjmedel och fett, etc

**Du kan ofta göra justeringar och reparationer som beskrivs här. För andra reparationer: låt elhuvudet servas av en auktoriserad servicehandlare.**

**RENGÖRING AV HODEN**

1. Stoppa motorn och ta bort batteriet.
2. Rengör smuts och skräp från krafthuvudet med en fuktig trasa med ett mildt rengöringsmedel.

**Notera:** Använd inte starka tvättmedel på plasthuset eller handtaget. De kan skadas av vissa aromatiska oljor som tall och citron och av lösningsmedel som fotogen.

**LAGRING AV HODET**

- Rengör allt främmande material från produkten.
- Förvara den på ett väl ventilerat ställe som inte är tillgängligt för barn.
- Håll dig borta från frätande ämnen som trädgårdskemikalier och avsningsalter.

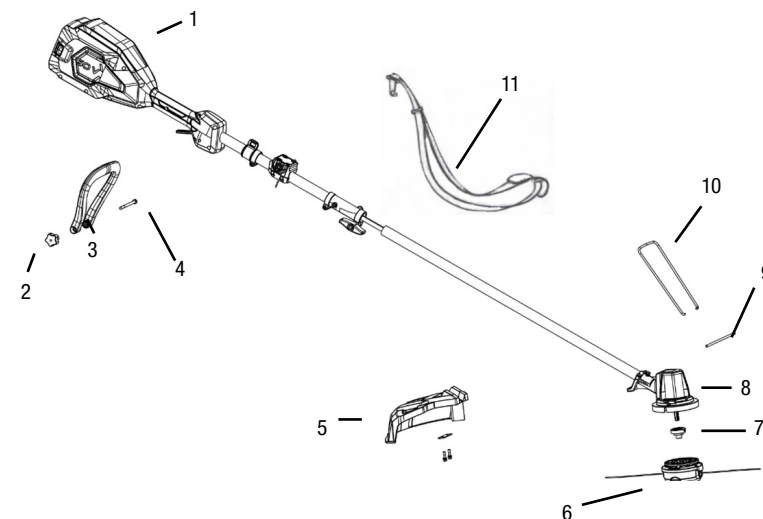
**! VARNING**

Förvara inte snörstrimmeren i solljus, på en alltför varm plats eller i närheten av en ugn. Batteriets livslängd förkortas.

## FELSÖKNING

PROBLEM	MÖJLIG ORSAK	LÖSANDE
Motorn startar inte när omkopplartrigern är nedtryckt LED-indikator för verktygsblixten 1-19 gånger	Fel på motorstyrenheten, eller över temperatur eller låg batteri eller batteri över temperatur, etc.	1. Släpp avtryckaren och starta om maskinen efter 3-5 sekunder ; eller 2. avbryt operationen och kyla verktyget eller ladda batteriet
	Batteriet är inte säkert .	För att säkra batteriet, se till att spärrarna på batterifacket fastnar på plats.
Trimmern slutar medan du klipper	Trimmerhuvudet är bundet .	Stoppa trimmern ta ur batteriet och ta bort gräset från trimmerhuvudet .
	Batteripaketet är för varmt .	Ta bort batteriet och låt det svalna svalt; torrt område .
	Batteripaketet är helt urladdat .	Ladda batteriet enligt anvisningarna i batterihandboken
Linjen går inte framåt	Det finns inte tillräckligt med linje i spolen .	Ta bort batteriet och byt ut trimmerlinjen .
Strängtrimmer är alltid i låg hastighet	Trimmerlinjen är för kort eller belastningen är liten	Tryck på trimmerhuvudet för att släppa linjen, och hastigheten ökar beroende på belastningen
LED-indikatorn på verktyget blinkar 1-19 gånger, motorn startar inte	Fel på motorstyrenheten, eller över temperatur, låg batteri eller överbelastning etc.	1. Släpp avtryckaren och starta om maskinen efter 3-5 sekunder ; eller 2. avbryt operationen och kyla verktyget och batteriet ; eller 3. Ladda batteriet

## EXPLODERAD DIAGRAM



Item #	Part #	Description	QTY
1	2800220014	Rear Handle	1
2	2800030016	Auxiliary handle	1
3	2800030003	Auxiliary handle screw	1
4	2800020003	Auxiliary handle knob	1
5	2800020005	Guard assemble	1
6	2800020001	String trimmer head	1
7	2800030037	Washer	1
8	2800020012	SA motor	1
9	2800030040	Tool bar	1
10	2800030041	Flower protector	1
11	2800030044	Shoulder harness	1

# WARRANTY PAGE

## Returns

We offer a no quibble 30 day money back guarantee for all goods shipped correctly that are not required. The buyer will be responsible for the return postage and packing charges and any original shipping charges are non refundable. Goods should be returned in a condition suitable for resale and where possible should be returned in their original packaging.

Goods which are manufactured specifically for an order and shipped correctly are not returnable.

If the wrong item is received it is the responsibility of the buyer to notify us in writing within 7 days of receipt. Arrangements will then be made for the incorrect item to be collected and a replacement item to be dispatched

## Warranty

### Warranty Qualifications

We at Warrior understand the importance of warranty for service & repair, we offer a standard 3 Year (Tools Only) & 1 year (Battery Only) warranty without the need for registering your purchase.

Please view the limitations below and read the full T&C's about the warranty offered on a particular product.

All we require is the either a copy of the original proof of purchase or an invoice supplied from retailer at the time of purchase to enable the claim to be raised. Please keep your proof of purchase safe for the duration of your terms, in the unfortunate event you need our technical support we will ask for this to be provided on each claim, NO proof of purchase any warranty claim will be delayed or rejected.

Transportation charges on any product or part(s) submitted for repair or replacement under this warranty are the sole responsibility of the purchaser. This warranty only applies to the original purchaser and is not transferable.

Do Not Return the Unit to the Place of Purchase

Contact Technical Support and we will troubleshoot any issue via phone or e-mail. If the problem or issue is not resolved by this method, we will, at its option, authorise an evaluation, repair or replacement of the defective product, part(s) or component at our own Service Centre workshop. If and when an product has to be replaced in most cases it will be on a like for like basis not old for new. We will provide you with a case number for warranty service and this can be monitored through your login account. Please keep it for future reference. Repairs or replacements without prior authorization, or at an unauthorized repair facility, will not be covered by this warranty. We do have warranty exclusions for customers outside the United Kingdom please see our full T&C's.

## Warranty Exclusions

**THIS WARRANTY DOES NOT COVER THE FOLLOWING:**

### NORMAL WEAR

Your product needs periodic parts and service to perform well. This warranty does not cover repair when normal use has exhausted the life of a part or the equipment as a whole.

### INSTALLATION, USE AND MAINTENANCE

This warranty will be voided and (or) not apply to parts or labour if your product is deemed to have been misused, neglected, involved in an accident, abused, overloaded beyond the limits, modified, installed improperly or connected incorrectly to any electrical component or system for battery charging. Normal period maintenance is not covered by this warranty.

## Other Exclusions

This warranty excludes:

- cosmetic defects such as paint, decals, stickers or accessory tools
- service parts including blades, string, chains, bars or bags
- any electrical component other than main control unit like fuses, connectors, dials, knobs or levers.
- failures due to acts of God and other force majeure events beyond the manufacturer's control
- problems caused by parts that are not original
- alteration or modification(s) made by any party other than the manufacturer
- any third party electrical equipment
- All batteries supplied Over 1 Year Old.

## Limits of Implied Warranty and Consequential Damage

BPE Holdings (Warrior Eco Power Equipment) disclaims any obligation to cover any loss of time, use of this product, freight, or any incidental or consequential claim costs by anyone using this product.

**THIS WARRANTY IS IN LIEU OF ALL OTHER WARRANTIES, EXPRESS OR IMPLIED, INCLUDING WARRANTIES OF MERCHANTABILITY OR FITNESS FOR A PARTICULAR PURPOSE.**

A unit provided as an exchange will be subject to the warranty of the original unit. The length of the warranty governing the exchanged unit will remain calculated by reference to the purchase date of the original unit. This warranty gives you certain legal rights which may change from country to country. Your country may also have other rights you may be entitled to that are not listed within this warranty.

# DECLARATION OF CONFORMITY

## EC Declaration of Conformity

**Supplier: Warrior Eco Power Equipment, Unit 17/18A Bradley Hall Trad Est, Standish, Wigan, WN6 0XQ, United Kingdom**

<b>Certificate No.</b>	190400193/195HZH-001
------------------------	----------------------

<b>Equipment</b>	60V CORDLESS GRASS STRIMMER
<b>Model</b>	WEP8001ST
<b>Serial Number</b>	

In accordance with the following directives:

<b>Directive 2006/42/EC</b>	The Machinery Directive
<b>Directive 2011/65/EU &amp; 2015/863</b>	The Restriction of use of Certain Hazardous Substances in Electrical and Electronic Equipment
<b>Directive 2014/30/EU</b>	The Electromagnetic Compatibility Directive and its Amendments 92/31/EEC and 98/13/EC

In accordance with article(s) and standards:

<b>EN 50636-2-100:2014,</b>	<b>EN 55014-1:2017</b>	<b>EN 62321-2:2014</b>
<b>EN 603351:2012+A11:2014+A13:2017</b>	<b>EN 55014-2:2015</b>	<b>EN 62321-3:2014</b>
<b>EN 60745-1:2009+A11:2010</b>	<b>EN 62233:2008</b>	
<b>EN 60745-2-13:2009+A1:2010</b>	<b>EN 62321-1:2013</b>	

I hereby declare that the equipment named above has been designed and manufactured to comply with relevant sections of the above referenced specifications. The products comply with the essential requirements of the relevant directives. This certificate is only valid for the product(s) and configuration described in conjunction with details test data and with all applicable legal requirements of this product.

*X Paul Bimson*

Paul Bimson  
Technical Manager

<b>Date:</b>	10/03/2020 15:28
<b>Issuing Country:</b>	United Kingdom



Winch Solutions Ltd  
Unit 17/18 Bradley Hall Trading Estate  
Bradley Lane  
Standish  
Wigan  
GREATER MANCHESTER  
UK  
WN6 0XQ