

ENGLISH

DEUTSCH

FRANÇAIS

SVENSKA



CORDLESS HEDGE TRIMMER

SAVE THESE INSTRUCTIONS. This manual contains important safety precautions which should be read and understood before operating the product. Failure to do so could result in serious injury. This manual should remain with the product.

Specifications, descriptions and illustrations in this manual are as accurate as known at the time of publication, but are subject to change without notice.

PRODUCT SPECIFICATIONS

Cordless Hedge Trimmer	
Type	Cordless battery-operated
Voltage	60Vdc
Battery Pack	BP8302
Blade length	24"(61cm)
Cutting capacity	3/4"
Reciprocating speed	3400 (±10%) SPM

GENERAL SAFETY RULES

WARNING

Read all safety warnings and instructions.

Failure to follow the warnings and instructions in this manual may result in injury to people, damage to property and/or serious injury/death

Save all warnings and instructions for future reference.

The term "power tool" in the warnings refers to your mains-operated (corded) power tool or battery-operated (cordless) power tool.

Work area safety

- Keep work area clean, tidy and well lit. Cluttered or dark areas invite accidents.
- Do not operate power tools in explosive atmospheres, such as in the presence of flammable liquids, gases or dust. Power tools create sparks which may ignite the dust or fumes.
- Keep children and bystanders away while operating a power tool. Distractions can cause you to lose control.

Electrical safety

- A battery-operated tool with integral batteries or a separate battery pack must be recharged only with the specified charger for the battery. A charger that may be suitable for one type of battery may create a risk of fire when used with another battery
- Use a battery-operated tool only with specified battery pack. Use of any other batteries other than OEM may create a risk of fire.
- Do not expose power tools to damp or wet conditions including rain or snow.

Personal safety

- Stay alert, watch what you are doing, and use common sense when operating a power tool. Do not use tool while tired or under the influence of drugs, alcohol, or medication. A moment of inattention while operating power tools may result in serious personal injury.
- Use personal protective equipment (PPE). Always wear eye protection. Protective equipment such as dust mask, non-skid safety shoes, hard hat, or

ear protection used for appropriate conditions will reduce personal injuries.

- Dress properly. Do not wear loose clothing or jewelry. Contain long hair. Keep your hair, clothing, and gloves away from moving parts. Loose clothes, jewelry, and long hair can be caught in moving parts
- Avoid accidental start-ups. Make sure the switch is in the locked or off position before inserting battery pack. Carrying tools with your finger on the switch or inserting the battery pack into a tool with the switch on invites accidents.
- Remove adjusting keys or wrenches before turning the tool on. A wrench or key that is left attached to a rotating part of the tool may result in personal injury
- Do not overreach. Keep proper footing and balance at all times. Proper footing and balance enable better control of the tool in unexpected situations

WARNING

ALWAYS WEAR EYE PROTECTION.

A Hedge Trimmer can throw foreign objects into your eyes which could cause permanent eye damage or blindness. ALWAYS wear safety goggles or safety glasses that comply with ANSI 287.1. Ordinary eyeglasses have only impact-resistant lenses...they are NOT safety goggles or glasses.

- Do not force the power tool. Use the correct power tool for your application. The correct power tool will do the job better and safer at the rate for which it was designed for.
- Do not use the power tool if the switch does not turn it on and off. Any power tool that cannot be controlled with the switch is dangerous and must be repaired or replaced.
- Disconnect battery pack from tool before making any sharpening, adjustments, changing parts or storing the tool. Such preventive safety measures reduce the risk of starting the tool accidentally.
- Store idle tools out of reach of children and other untrained persons. Tools are dangerous in the hands of untrained users, personnel over 16 years old MUST only operate this tool.
- Maintain power tools. Before using, check for misalignment or binding of moving parts, breakage

of parts, and any other condition that may affect the tool's operation. If damaged, have the tool serviced before using. Many accidents are caused by poorly maintained tools

- Keep cutting tools sharp and clean. Properly maintained cutting tools with sharp cutting edges are less likely to bind and are easier to control.
- Use only accessories that are recommended by the manufacturer for your tool. Accessories that may be suitable for one tool may create a risk of injury when used on another tool.

Service:

- Tool service must be performed only by qualified repair personnel. Service or maintenance performed by unqualified personnel may result in a risk of serious injury or damage to the tool.

FOR HEDGE TRIMMERS

DANGER

If the hedge trimmer blade jams or gets caught on an electrical cord or wires, DO NOT TOUCH THE BLADE FOR ANY REASON! IT CAN BE ELECTRICALLY LIVE AND CAUSE SERIOUS OR FATAL INJURY! Release or drop the trimmer in the quickest, safest way. If possible, disconnect the battery from the tool. If that is not possible, call an electrician, electrical contractor, or the power company for assistance. Failure to follow these danger warning will cause serious personal injury and possible death. Keep hands and body parts away from the blade at all times

WARNING

Use both hands when operating the hedge trimmer. Using one hand could cause loss of control and result in serious personal injury or amputation.

ALWAYS keep both hands on the hedge trimmer handles to prevent your hand from touching the blade.

- Keep all parts of the body away from the cutter blade. Do not remove cut material or hold material to be cut when blades are moving. Make sure the switch is off or battery disconnected when clearing jammed material. A moment of inattention or distraction while operating the hedge trimmer may result in serious personal injury, and(or) amputation and death.
- Carry the hedge trimmer by the handle with the cutter blade stopped and covered. When transporting or storing the hedge trimmer always fit the cutting blade cover. Proper handling of the hedge trimmer will reduce possible personal injury from the cutter blades.
- Hold the power tool by insulated gripping surfaces only, because the cutter blade may contact hidden wiring or its own cord. Cutter blades contacting a "live" wire may make exposed metal parts of the power tool "live" and could give the operator an electric shock.
- DO NOT operate the hedge trimmer when you are tired or your visibility is limited. Do not use the trimmer at night or in reduced light or if distracted.
- Keep cable away from cutting area. During operation the cable may be hidden in shrubs and can be accidentally cut by the blade.
- DO NOT use the hedge trimmer if the handle guard is damaged or broken.

DANGER

To avoid serious injury, risk of fire, explosion and danger of electric shock or electrocution:

- **DO NOT** probe the charger with conductive materials. The charging terminals hold 240V.
- If the battery pack case is cracked or damaged, **DO NOT** insert into the charger or tool. Replace the battery pack.
- **DO NOT** charge these battery packs with any other type of charger other than OEM.
- **DO NOT** allow any liquid inside the charger.
- **DO NOT** try to use the charger for any other purpose than what is presented in this manual

WARNING

If the battery fluid gets in your eyes, flush immediately with clean water for at least 15 minutes. Get immediate medical attention. Do not charge or leave out the battery pack in damp or wet conditions including rain or snow. Do not immerse the tool, battery pack, or charger in water or other liquid.

- Do not allow the battery pack or charger to overheat. If they are warm, allow them to cool down for 15 mins. Recharge only at room temperature, never to hot or cold.
- Do not cover the ventilation slots on the top of the charger. Do not set the charger on a soft surface always use a solid surface. Keep the ventilation slots of the charger clear at all times.
- Do not allow small metal items or material such as steel wool, aluminum foil, or other foreign particles into the charger cavity.
- Unplug the charger before cleaning and when there is no battery pack in the cavity.
- Do not leave the battery charger or use the battery pack in direct sun or in a warm environment for extended periods of time. Keep at normal room temperature.
- **NEVER** try to connect two chargers together.
- The battery pack cells may develop a small leak under extreme usage or temperature conditions. If the outer seal is broken and the leakage gets on your skin:
 - 1a. Use soap and water to wash immediately.
 - 1b. Neutralize with lemon juice, vinegar, or other mild acid. Seek medical advice.

WARNING (PROPOSITION 65)

Some dust created by power sanding, sawing, grinding, drilling, and other construction activities contains chemicals known to cause cancer, birth defects or other reproductive harm. Some examples of these chemicals are.

- Lead from lead-based paints
- Crystalline silica from bricks and cement and other masonry products
- Arsenic and chromium from chemically treated lumber.

Your risk of exposure to these chemicals varies depending on how often you do this type of work. To reduce your exposure to these chemicals, work in a well-ventilated area, and work with approved safety equipment, such as dust masks that are specially designed to filter out microscopic particles.

WARNING

READ AND UNDERSTAND ALL INSTRUCTIONS. Failure to follow safety rules listed below may result in electric shock, fire, and/or personal injury:

- Arsenic and chromium from chemically treated lumber.
- Do not place the charger where the power cord might be stepped on, tripped on, or subjected to damage.
- A battery-operated tool with integral batteries or a separate battery pack must be recharged only with the specified charger for the battery. A charger that may be suitable for one type of battery may create a risk of fire when used with another battery.
- Use a battery-operated tool only with the specifically designated battery pack. Use of any other batteries may create a risk of fire.

SYMBOLS

Some of the following symbols may be used on this product. Please study them and learn their meaning. Proper interpretation of these symbols will allow you to operate the product better and safer.

SYMBOL	MEANING
	Warning
	Read The Operator's Manual. Read and follow all safety precautions in the owner's manual. Failure to follow to instruction could result in serious injury to user
	Protective goggles/visor, protective helmet & hearing protection.
	Wet Conditions Alert. Do not expose to rain or use in damp locations
	Ricochet. Thrown objects can ricochet and result in personal injury or property damage
	Sharp Blade. Keep hands away from sharp, moving blades
	Class II Construction. Double-insulated construction
	Gloves. Wear non-slip, heavy duty gloves.
V	Volts
A	Amperes
Hz	Hertz
W	Watts
Min	Minutes
~	Alternating Current
	Direct Current
	Keep Bystanders Away

The following signal words and meanings are intended to explain the levels of risk associated with this product.

DANGER

DANGER indicates a hazardous situation which, if not avoided, will result in death or serious injury.

WARNING

WARNING indicates a hazardous situation which, if not avoided, could result in death or serious injury.

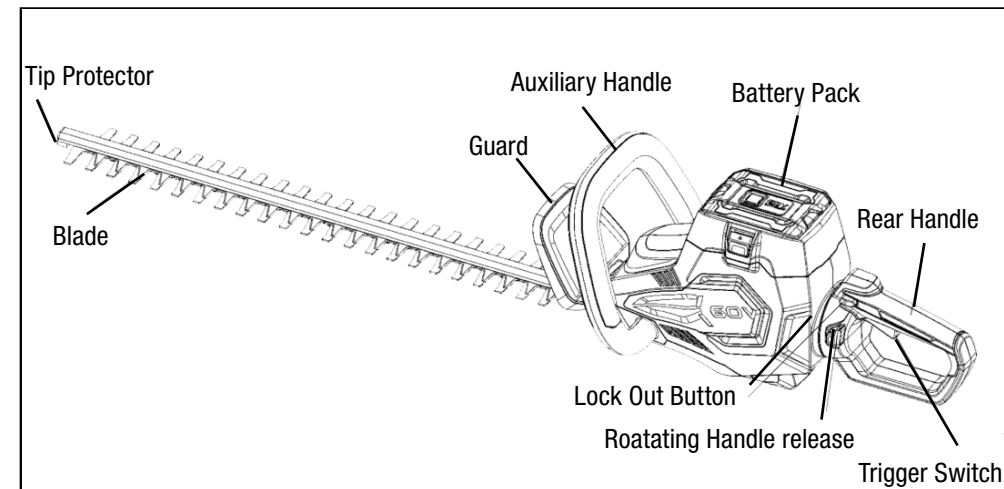
CAUTION

CAUTION indicates a hazardous situation which, if not avoided, could result in minor or moderate injury.

CAUTION

(Without Safety Alert Symbol) Indicates a situation that may result in property damage.

KNOW YOUR HEDGE TRIMMER



The safe use of this product requires an understanding of the information on the product and in this operator's manual as well as a knowledge of the project you are attempting. Before use of this product, familiarize yourself with all operating features and safety rules

GUARD

The guard helps to deflect chips or other debris away from the operator's hands and eyes.

TRIGGER SWITCH

The lock out button must be depressed before the trigger switch is depressed. Once the trigger switch is

engaged, the lock out button can be released. When the trigger switch is released, the lock out button will automatically return to the locking position.

ASSEMBLY INSTRUCTION

CAUTION

Battery needs full charging before first use.

IMPORTANT! The battery pack (BP8302) is not charged when it is purchased. Before using the hedger for the first time, place the battery pack on the battery charger and charge. Make sure to read all safety precautions, and follow the instructions in the Battery Charger section

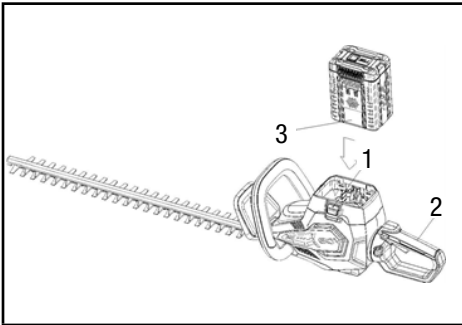
To install the battery:

1. Align the tongue (3) of the battery pack with the cavity in the handle housing.
2. Grasp the rear handle (2) firmly.
3. Push the battery pack into the handle until the latch locks into place

NOTE: The battery pack fits snugly into the handle to prevent accidental dislodging. It may require a strong pull to remove.

To remove the battery:

- Press Battery pack release button (1) and hold.
- Grasp the rear handle (2) firmly. Pull the battery pack out of the handle.

**CAUTION**

IMPORTANT! Never remove the blade assembly unless it needs sharpening, straightening, or replacing. Always take it to a qualified repairer or agent for repair.

WARNING

Follow these instructions in order to avoid injury and to reduce the risk of electric shock or fire:

- Arsenic and chromium from chemically treated lumber.
- Replace the battery pack or the charger immediately if the battery case or charger cord is damaged.
- Verify that the switch is in the OFF position before inserting or removing the battery pack.
- Verify that the battery pack is removed and the switch is in the OFF position before inspecting, adjusting, or performing maintenance on any part of the hedger.
- Read, understand and follow the instructions contained in the section entitled Charging Procedure.

Unpacking

- This product requires no assembly.
- Carefully remove the product and any accessories from the box. Make sure that all items listed in the packing list are included.
- Inspect the product carefully to make sure no breakage or damage occurred during shipping.
- Do not discard the packing material until you have carefully inspected and satisfactorily operated the product.

WARNING**To avoid personal injury:**

- Handle the blade with care.
- Do not place your fingers or hand between the notches in the blade or in any position where they could get pinched or cut.
- Never service the blade or hedge trimmer unless the battery pack is removed.
- Do not use if the blade assembly is damaged or bent. Take to a qualified person to straighten, replace, or sharpen.
- Always keep both hands on the hedge trimmer handles to prevent your hand from touching the blade.

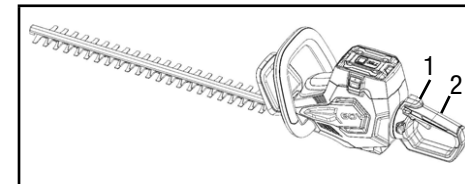
OPERATING INSTRUCTIONS

ON/OFF SWITCHES

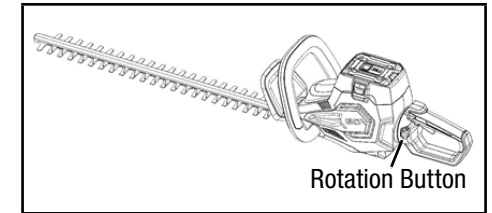
- The hedge trimmer has a lock-out button and switch trigger.
- Slide the lock-out button (1) into the handle and hold.
- Squeeze the trigger switch (2). The hedge trimmer will turn ON.
- Release the lock-out button. The hedge trimmer will stay on as long as the trigger switch is engaged.
- The hedge trimmer will stop if you release the trigger handle.

IMPORTANT: If the hedge trimmer is accidentally dropped, the hedge trimmer will turn OFF and the blade will coast to a stop after several seconds. The hedge trimmer will then be locked OFF again.

Cleaning the blade regularly and lubricating it at regular intervals (e.g. 1 hour per operation) will keep the blade sharp and make the work more efficient

**USING THE ROTATING REAR HANDLE**

- Place the hedge trimmer on a flat and even surface.
- Make sure that you released the trigger.
- Slide the rotation button and begin turning the rear handle. Release the rotation button and turn the handle 90 degrees to either side until it clicks into place and the Button locks in.
- To turn the handle back to center, slide the rotation Button again, turn the handle slightly, release the rotation Button and continue turning the handle until it locks into place.



BATTERY CHARGER

SPECIFICATIONS

Charger: C8360/C8362

Input: 120-240VAC, 50/60Hz, Max.3A

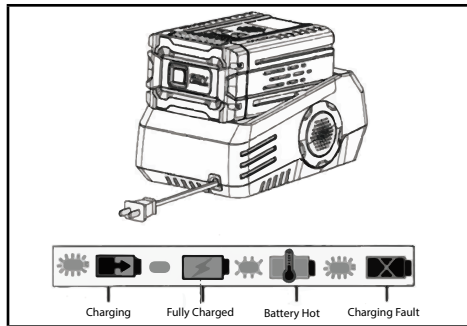
Output: 63VDC. Max.4.5A

Weight: 2.6 lbs (1.2kg)

⚠ WARNING

The battery is not shipped/transported fully charged. Fully charge the battery before first use to ensure that maximum run time can be achieved. This lithium-ion battery will not develop a memory and may be charged at any time.

CHARGING PROCEDURE



LED STATUS	DESCRIPTION
Blinking Green	Charging
Solid Green	Fully charged
Solid Red	Stand by
Blinking Red (fast)	Charging fault
Blinking Red (slow)	Battery too hot

Low voltage charging:

If the battery has been stored with little to no charge for a long period of time, the charger will go into recovery mode, which will take more time to fully charge the battery. This will enhance the life of the battery. Once it is fully charged, the next charge will return to standard charging.

A fully discharged battery pack will require the allotted time as stated in the battery manual. Plug the charger into an AC power outlet.

Insert the battery -into the charger.

This is a diagnostic charger. The Charger LED Lights will illuminate in specific order to communicate the current battery status. They are as follows:-

False defect note:

When the battery is inserted into the charger and the status LED blinks RED, remove the battery from the charger for 1 minute, then reinsert. If the status LED blinks GREEN, then the battery is properly charging. If the status LED is still blinking RED, remove the battery and unplug the charger for 1 minute. After 1 minute, plug in the charger and reinsert the battery. If the status LED blinks GREEN, then the battery is properly charging. If the status LED is still blinking RED, the battery is defective and needs to be replaced

CHECKING THE CHARGE

If the battery pack does not charge properly:

Check the current at the power outlet with another tool. Make sure that the outlet is not turned off.

Check that the charger contacts have not been shorted by debris or foreign material.

If the air temperature is above 104°F or below 45°F, move the charger and battery pack to a room temperature location and allow to warm up slowly.

⚠ WARNING

If the battery is inserted into the charger when warm or hot, the **CHARGING LED** indicator light on the charger may switch on and illuminate **RED**. If this occurs allow the battery to cool inside of the charger for up to 30 minutes. Charging should automatically start once battery has cooled

CHARGER MOUNTING

1. This charger can be installed hanging on a wall using two #8 screws (not included).
2. Locate the placement for the charger to be wall mounted.
3. If fastening to wood studs use 2 wood screws (not included).

4. Drill two holes on center 5.5 in. apart ensuring that they are vertically aligned.
5. If fastening to drywall use wall anchors (not included) and screws to secure the charger to the wall.

Note: If the battery and the charger won't be used for a long time, remove the battery from the charger and pull out the AC power plug

MAINTENANCE

⚠ WARNING

If the battery is inserted into the charger when warm or hot, the **CHARGING LED** indicator light on the charger may switch on and illuminate **RED**. If this occurs allow the battery to cool inside of the charger for up to 30 minutes. Charging should automatically start once battery has cooled

Cleaning

Remove the battery pack.

- Brush or blow dust and debris out of the air vents using compressed air or a vacuum. Keep the air vents free of obstructions, sawdust, and wood chips. Do not spray, wash, or immerse the air vents in water.
- Wipe off the housing and the plastic components using a moist, soft cloth. Do not use strong solvents or detergents on the plastic housing or plastic components. Certain household cleaners may cause damage, and may cause a shock hazard.

Battery Pack

- Store the battery pack fully charged
- Once the light on the charger turns solid green, remove the battery from the charger and disconnect the charger from the outlet.
- Do not store the battery pack on the tool.
- After charging, the battery pack may be stored in the charger, as long as the charger is not plugged in.

Charger Maintenance

Keep the charger clean and clear of debris. Do not allow foreign material to get into the recessed cavity or onto the contacts. Wipe the charger clean with a dry, soft cloth. Do not use solvents or water, and do not place the charger in wet conditions.

Unplug the charger when there is no battery pack in it. Fully charge the batteries before placing them in storage.

Store the charger at normal room temperature. Do not store it in excessive heat. Do not use the charger in direct sunlight. Recharge at room temperature between 45° F and 104° F (7° C and 40° C). If the battery pack is hot, allow it to cool down inside of the charger. The battery will begin charging once it has returned to room temperature.

ENVIRONMENTALLY SAFE BATTERY DISPOSAL

WARNING

The following toxic and corrosive materials are in the batteries used in this blower.

Battery pack: Lithium-Ion, a toxic material.

WARNING

All toxic materials must be disposed of in a specified manner to prevent contamination of the environment. Before disposing of damaged or worn out Lithium-Ion battery packs, contact your local waste disposal agency, or the local Environmental Protection Agency for information and specific instructions. Take the batteries to a local recycling and/or disposal center, certified for lithium-ion disposal

WARNING

If the battery pack cracks or breaks, with or without leaks, do not recharge it and do not use. Dispose of it and replace with a new battery pack.

DO NOT ATTEMPT TO REPAIR IT!

To avoid injury and risk of fire, explosion, or electric shock, and to avoid damage to the environment:

- Cover the battery's terminals with heavy-duty adhesive tape

- DO NOT** attempt to remove or destroy any of the battery pack components.

- DO NOT** attempt to open the battery pack.

- If a leak develops, the released electrolytes are corrosive and toxic. **DO NOT** get the solution in the eyes or on skin, and do not swallow it.

- DO NOT** place these batteries in your regular household trash.

- DO NOT** incinerate.

- DO NOT** place them where they will become part of any waste landfill or municipal solid waste stream.

Take them to a certified recycling or disposal center.

MAINTENANCE

WARNING

To avoid risk of fire, electric shock, or electrocution:

- Do not use a damp cloth or detergent on the battery or battery charger.
- Always remove the battery pack before cleaning, inspecting, or performing any maintenance on the hedge trimmer.

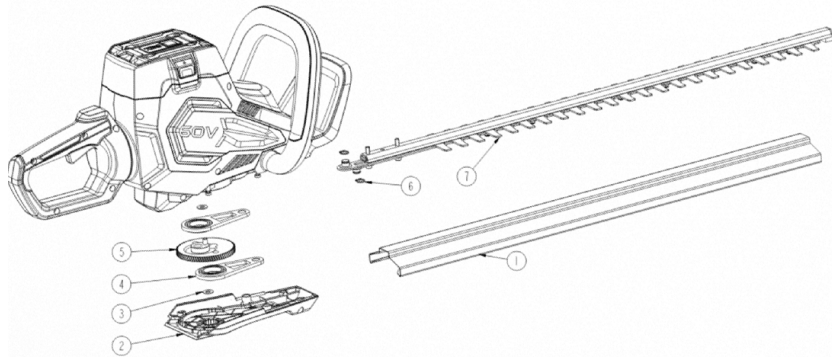
Cleaning

1. Wipe the outside of the hedge trimmer with a dry, soft cloth. Do not hose down or wash with water.
2. Scrape the guard to remove dried clippings and mud.
3. Brush or blow dust, debris, and grass clippings out of the air vents. Keep them free of obstruction.

TROUBLESHOOTING

PROBLEM	POSSIBLE CAUSE	SOLUTION
Motor fails to start when switch trigger is depressed.	Battery is not secure.	To secure the battery pack, make sure the latches on the top of the battery pack snap into place.
	Battery is not charged.	Charge the battery pack according to the instructions included with your model.
Motor runs but cutting blades do not move.	Hedger damaged. Do not use hedge trimmer.	Call for technical service.
Hedge trimmer smokes during operation.	Hedger damaged. Do not use hedge trimmer.	Call for technical service.
Motor hums, blades not move.	Debris or other may be jamming the blades.	Remove battery, clear debris blockage from blades
The blade speed is slow and the working efficiency is low	Dust and tree pulp lead to the blade friction resistance increased	Clean blade and lubricate blade regularly (e.g. 1 hour per operation)
LED indicator of tool flash for 1-19 times, motor fails to start	Motor controller fault, or over temperature, or low battery, or over load, etc.	<ol style="list-style-type: none"> 1. Release the trigger and restart the machine after 3-5s; or 2. stop the operation and cool the tool and battery; or 3. Charge the battery

EXPLODED VIEW



Item #	Part #	Description	QTY
1	2806030034	Blade Cover	1
2	2806030017	Gearbox Cover	1
3	2806030035	Washer	2
4	2806020009	Swing Rod	2
5	2806030013	Big Gear	1
6	301100125	E Ring	2
7	2806020010	Blade Component	1

WARRANTY PAGE

Returns

We offer a no quibble 30 day money back guarantee for all goods shipped correctly that are not required. The buyer will be responsible for the return postage and packing charges and any original shipping charges are non refundable. Goods should be returned in a condition suitable for resale and where possible should be returned in their original packaging.

Goods which are manufactured specifically for an order and shipped correctly are not returnable.

If the wrong item is received it is the responsibility of the buyer to notify us in writing within 7 days of receipt. Arrangements will then be made for the incorrect item to be collected and a replacement item to be dispatched

Warranty**Warranty Qualifications**

We at Warrior understand the importance of warranty for service & repair, we offer a standard 3 Year (Tools Only) & 1 year (Battery Only) warranty without the need for registering your purchase.

Please view the limitations below and read the full T&C's about the warranty offered on a particular product.

All we require is the either a copy of the original proof of purchase or an invoice supplied from retailer at the time of purchase to enable the claim to be raised. Please keep your proof of purchase safe for the duration of your terms, in the unfortunate event you need our technical support we will ask for this to be provided on each claim, NO proof of purchase any warranty claim will be delayed or rejected.

Transportation charges on any product or part(s) submitted for repair or replacement under this warranty are the sole responsibility of the purchaser. This warranty only applies to the original purchaser and is not transferable.

Do Not Return the Unit to the Place of Purchase

Contact Technical Support and we will troubleshoot any issue via phone or e-mail. If the problem or issue is not resolved by this method, we will, at its option, authorise an evaluation, repair or replacement of the defective product, part(s) or component at our own Service Centre workshop. If and when an product has to be replaced in most cases it will be on a like for like basis not old for new. We will provide you with a case number for warranty service and this can be monitored through your login account. Please keep it for future reference. Repairs or replacements without prior authorization, or at an unauthorized repair facility, will not be covered by this warranty. We do have warranty exclusions for customers outside the United Kingdom please see our full T&C's.

Warranty Exclusions**THIS WARRANTY DOES NOT COVER THE FOLLOWING:****NORMAL WEAR**

Your product needs periodic parts and service to perform well. This warranty does not cover repair when normal use has exhausted the life of a part or the equipment as a whole.

INSTALLATION, USE AND MAINTENANCE

This warranty will be voided and (or) not apply to parts or labour if your product is deemed to have been misused, neglected, involved in an accident, abused, overloaded beyond the limits, modified, installed improperly or connected incorrectly to any electrical component or system for battery charging. Normal period maintenance is not covered by this warranty.

Other Exclusions

This warranty excludes:

- cosmetic defects such as paint, decals, stickers or accessory tools
- service parts including blades, string, chains, bars or bags
- any electrical component other than main control unit like fuses, connectors, dials, knobs or levers.
- failures due to acts of God and other force majeure events beyond the manufacturer's control
- problems caused by parts that are not original
- alteration or modification(s) made by any party other than the manufacturer
- any third party electrical equipment
- All batteries supplied Over 1 Year Old.

Limits of Implied Warranty and Consequential Damage

BPE Holdings (Warrior Eco Power Equipment) disclaims any obligation to cover any loss of time, use of this product, freight, or any incidental or consequential claim costs by anyone using this product.

THIS WARRANTY IS IN LIEU OF ALL OTHER WARRANTIES, EXPRESS OR IMPLIED, INCLUDING WARRANTIES OF MERCHANTABILITY OR FITNESS FOR A PARTICULAR PURPOSE.

A unit provided as an exchange will be subject to the warranty of the original unit. The length of the warranty governing the exchanged unit will remain calculated by reference to the purchase date of the original unit. This warranty gives you certain legal rights which may change from country to country. Your country may also have other rights you may be entitled to that are not listed within this warranty.

PRODUKTSPEZIFIKATIONEN

LITHIUM-ION AKKU-HECKENSCHERE	
Typ	Kabellos, Akku-betrieben
Motor	60Vdc
Battery Pack	BP8302
Klingenlänge	24"(61cm)
Schnittleistung	3/4"
Hubgeschwindigkeit	3400 (±10%) SPM

DE



**LITHIUM-ION
AKKU-HECKENSCHERE**

BEWAHREN SIE DIESE ANLEITUNG AUF. Dieses Handbuch enthält wichtige Sicherheitsmaßnahmen, die vor der Inbetriebnahme des Produkts gelesen und verstanden werden sollten. Die Nichtbeachtung kann schwere Verletzungen zur Folge haben. Dieses Handbuch sollte beim Produkt aufbewahrt werden.

Die technischen Daten, Beschreibungen und Abbildungen in diesem Handbuch sind so genau, wie sie zum Zeitpunkt der Veröffentlichung bekannt waren, können aber ohne vorherige Ankündigung geändert werden.

SICHERHEITSMITTEILUNG

 **WARNUNG**

LESEN UND VERSTEHEN SIE ALLE ANWEISUNGEN. Die Nichtbeachtung aller unten aufgeführten Anweisungen kann zu Stromschlägen, Bränden und/oder schweren Verletzungen führen.

Bewahren Sie alle Warnungen und Anweisungen zur späteren Bezugnahme auf. Der Begriff "Elektrowerkzeug" in allen unten aufgeführten Warnhinweisen bezieht sich auf Ihr netzbetriebenes akkubetriebenes (schnurloses) Elektrowerkzeug.

ARBEITSBEREICH

- Halten Sie Ihren Arbeitsbereich sauber und gut beleuchtet. In überladenen oder dunklen Bereichen können sich leicht Unfälle ereignen.
- Betreiben Sie Elektrowerkzeuge nicht in explosionsgefährdeten Bereichen, wie beispielsweise in der Nähe von brennbaren Flüssigkeiten, Gasen oder Stäuben. Elektrowerkzeuge erzeugen Funken, die den Staub oder die Dämpfe entzünden können.
- Halten Sie Unbeteiligte, Kinder und Besucher fern, während Sie ein Elektrowerkzeug bedienen. Ablenkungen können dazu führen, dass Sie die Kontrolle verlieren.

ELEKTRISCHE SICHERHEIT

- Bleiben Sie wachsam, beobachten Sie, was Sie tun, und verwenden Sie Ihren gesunden Menschenverstand, wenn Sie ein Elektrowerkzeug bedienen. Verwenden Sie das Werkzeug nicht, wenn Sie müde sind oder unter dem Einfluss von Drogen, Alkohol oder Medikamenten stehen. Ein Moment der Unachtsamkeit beim Betrieb von Elektrowerkzeugen kann zu schweren Verletzungen führen.
- Persönliche Schutzausrüstung verwenden. Tragen Sie immer einen Augenschutz. Schutzausrüstung wie Staubmaske, rutschfeste Sicherheitsschuhe, Schutzhelm oder Gehörschutz, der für geeignete Bedingungen verwendet wird, reduziert Personenschäden.
- Ziehen Sie sich passend an. Tragen Sie keine weite Kleidung oder Schmuck. Binden Sie lange Haare zusammen. Halten Sie Haare, Kleidung und Handschuhe von beweglichen Teilen fern. Lose

Kleidung, Schmuck und lange Haare können von beweglichen Teilen erfasst werden.

- Vermeiden Sie ein unbeabsichtigtes Starten. Stellen Sie sicher, dass sich der Schalter in der verriegelten oder ausgeschalteten Position befindet, bevor Sie den Akku einsetzen. Das Tragen von Werkzeugen mit dem Finger am Schalter oder das Einsetzen des Akkus in ein Werkzeug bei eingeschaltetem Schalter kann zu Unfällen führen.
- Entfernen Sie Einstellschlüssel oder Schraubenschlüssel, bevor Sie das Werkzeug einschalten. Ein Schraubenschlüssel oder Schlüssel, der an einem rotierenden Teil des Werkzeugs befestigt bleibt, kann zu Verletzungen führen.
- Übernehmen Sie sich nicht. Bewahren Sie jederzeit einen festen Stand und das Gleichgewicht. Der richtige Stand und das richtige Gleichgewicht ermöglichen eine bessere Kontrolle des Werkzeugs in unerwarteten Situationen.

 **WARNUNG****TRAGEN SIE IMMER AUGENSCHUTZ.**

Eine Heckenschere kann Fremdkörper in Ihre Augen werfen, die dauerhafte Augenschäden verursachen können. Tragen Sie **IMMER** eine Schutzbrille oder Sicherheitsbrille gemäß ANSI 287.1. Eine gewöhnliche Brille hat nur schlagfeste Brillengläser... Es ist **KEINE** Schutz- oder Sicherheitsbrille.

- Setzen Sie das Elektrowerkzeug nicht mit Gewalt ein. Verwenden Sie das richtige Elektrowerkzeug für Ihre Anwendung. Das richtige Elektrowerkzeug erledigt die Arbeit besser und sicherer bei der Geschwindigkeit, für die es entwickelt wurde.
- Verwenden Sie kein Werkzeug, wenn ein Schalter es nicht ein- oder ausschaltet. Ein Werkzeug, das nicht mit dem Schalter gesteuert werden kann, ist gefährlich und muss repariert werden.
- Trennen Sie den Akku vom Werkzeug, bevor Sie Einstellungen vornehmen, Zubehör wechseln oder das Werkzeug lagern. Solche vorbeugenden Sicherheitsmaßnahmen verringern das Risiko eines versehentlichen Startens des Werkzeugs.
- Lagern Sie unbenutzte Werkzeuge außerhalb der Reichweite von Kindern und anderen ungeschulten

Personen. Werkzeuge sind in den Händen ungeschulter Benutzer gefährlich.

- Pflegen Sie Elektrowerkzeuge. Prüfen Sie vor der Verwendung auf Fehlausrichtung oder Festsitzen beweglicher Teile, Bruch von Teilen und andere Zustände, die den Betrieb des Werkzeugs beeinträchtigen können. Lassen Sie das Werkzeug bei Beschädigung vor der Verwendung warten. Viele Unfälle werden durch schlecht gewartete Werkzeuge verursacht.
- Halten Sie Schneidwerkzeuge scharf und sauber. Richtig gewartete Schneidwerkzeuge mit scharfen Schneidkanten neigen weniger zum Verklemmen und sind leichter zu kontrollieren.
- Verwenden Sie nur Zubehör, das vom Hersteller für Ihr Werkzeug empfohlen wird. Zubehör, das möglicherweise für ein Werkzeug geeignet ist, kann bei Verwendung an einem anderen Werkzeug eine Verletzungsgefahr darstellen.

WARTUNG:

- Der Werkzeugservice darf nur von qualifiziertem Reparaturpersonal durchgeführt werden. Service- oder Wartungsarbeiten, die von unqualifiziertem Personal durchgeführt werden, können zu Verletzungen führen.

FÜR HECKENSCHEREN

 **GEFAHR**

Wenn die Klinge der Heckenschere klemmt oder sich in einem Stromkabel oder Kabel verfängt, BERÜHREN SIE DIE KLINGE UNTER KEINEN UMSTÄNDEN! ES KANN UNTER STROM STEHEN UND SCHWERE ODER TÖDLICHE VERLETZUNGEN VERURSACHEN! Lassen Sie die Schere auf die schnellste und sicherste Art und Weise los oder lassen Sie sie fallen. Trennen Sie nach Möglichkeit den Akku vom Werkzeug. Wenn dies nicht möglich ist, wenden Sie sich an einen Elektriker, Elektroinstallateur oder das Energieversorgungsunternehmen. Die Nichtbeachtung dieses Gefahrenhinweises führt zu schweren Körperverletzungen und möglicherweise zum Tod. Halten Sie die Hände von der Klinge fern.

 **WARNUNG**

Verwenden Sie beide Hände, wenn Sie die Heckenschere bedienen. Die Verwendung mit einer Hand kann zum Verlust der Kontrolle und zu schweren Verletzungen führen. Halten Sie **IMMER** beide Hände an den Griffen der Heckenschere, um zu verhindern, dass Ihre Hand das Messer berührt.

- Halten Sie alle Körperteile vom Schneidmesser fern. Entfernen Sie kein geschnittenes Material und halten Sie das zu schneidende Material nicht, wenn sich die Messer bewegen. Stellen Sie sicher, dass der Schalter ausgeschaltet ist, wenn Sie eingeklemmtes Material beseitigen. Ein Moment der Unachtsamkeit während der Bedienung der Heckenschere kann zu schweren Verletzungen führen.
- Tragen Sie die Heckenschere bei stehendem Messer am Griff. Bringen Sie beim Transportieren oder Lagern der Heckenschere immer die Schneidwerksabdeckung an. Der richtige Umgang mit der Heckenschere verringert mögliche Verletzungen durch die Schneidmesser.
- Halten Sie das Elektrowerkzeug nur an isolierten Griffflächen fest, da die Schneidklinge versteckte Kabel oder das eigene Kabel berühren kann. Schneidmesser, die einen stromführenden Draht berühren, können freiliegende Metallteile des Elektrowerkzeugs unter Strom setzen und dem Bediener einen Stromschlag versetzen.
- Bedienen Sie die Heckenschere **NICHT**, wenn Sie müde sind oder Ihre Sicht eingeschränkt ist. Verwenden Sie die Schere nicht nachts oder bei reduziertem Licht.
- Halten Sie das Kabel vom Schneidbereich fern. Während des Betriebs kann das Kabel im Gebüsch versteckt sein und versehentlich von der Klinge durchtrennt werden.
- Verwenden Sie die Heckenschere **NICHT**, wenn der Griffschutz beschädigt ist.

⚠️ GEFAHR

Um schwere Verletzungen, Brand-, Explosions- und Stromschlaggefahr zu vermeiden:

- Testen Sie das Ladegerät NICHT mit leitfähigen Materialien. Die Ladeterminale führen 120V.
- Wenn das Gehäuse des Akkupacks Risse oder Beschädigungen aufweist, setzen Sie es NICHT in das Ladegerät oder Werkzeug ein. Ersetzen Sie den Akku.
- Laden Sie diese Akkus NICHT mit anderen Ladegeräten auf.
- Lassen Sie KEINE Flüssigkeit in das Ladegerät.
- Versuchen Sie NICHT, das Ladegerät für andere Zwecke als die in diesem Handbuch beschriebenen zu verwenden.

⚠️ WARNUNG

Wenn Akkuflüssigkeit in Ihre Augen gelangt, spülen Sie diese sofort mindestens 15 Minuten lang mit sauberem Wasser aus. Holen Sie sich sofort ärztliche Hilfe. Laden Sie den Akku nicht bei Regen oder Nässe auf. Tauchen Sie das Werkzeug, den Akku oder das Ladegerät nicht in Wasser oder andere Flüssigkeiten

- Lassen Sie den Akku oder das Ladegerät nicht überhitzen. Wenn sie warm sind, lassen Sie sie abkühlen. Nur bei Zimmertemperatur aufladen.
- Decken Sie die Lüftungsschlitze an der Oberseite des Ladegeräts nicht ab. Stellen Sie das Ladegerät nicht auf eine weiche Oberfläche. Halten Sie die Lüftungsschlitze des Ladegeräts frei.
- Lassen Sie keine kleinen Metallgegenstände oder Materialien wie Stahlwolle, Aluminiumfolie oder andere Fremdkörper in den Laderaum des Ladegeräts gelangen.
- Ziehen Sie das Ladegerät aus der Steckdose, bevor Sie es reinigen, und wenn sich kein Akkupack im Hohlraum befindet.
- Lassen Sie das Ladegerät oder den Akku nicht für längere Zeit in der Sonne oder in einer warmen Umgebung. Bei normaler Raumtemperatur aufbewahren.
- Versuchen Sie nicht, zwei Ladegeräte miteinander zu verbinden.
- Die Zellen des Akkupacks können unter extremen Nutzungs- oder Temperaturbedingungen ein kleines Leck entwickeln. Wenn die äußere Versiegelung gebrochen ist und die Leckage auf Ihre Haut gelangt:
 - 1a. Verwenden Sie zum sofortigen Waschen Wasser und Seife.
 - 1b. Mit Zitronensaft, Essig oder einer anderen milden Säure neutralisieren.

⚠️ WARNUNG (VORSCHLAG 65)

Ein Teil des Staubs, der durch Schleifen, Sägen, Schleifen, Bohren und andere Bautätigkeiten entsteht, enthält Chemikalien, von denen bekannt ist, dass sie Krebs, Geburtsfehler oder andere Fortpflanzungsschäden verursachen. Einige Beispiele für diese Chemikalien sind:

- Blei aus bleihaltigen Lacken
 - Kristalline Kieselsäure aus Ziegeln und Zement und anderen Mauerwerksprodukten
 - Arsen und Chrom aus chemisch behandeltem Holz.
- Ihr Expositionsrisiko gegenüber diesen Chemikalien hängt davon ab, wie oft Sie diese Art von Arbeit ausführen. Um Ihre Exposition gegenüber diesen Chemikalien zu reduzieren, arbeiten Sie in einem gut belüfteten Bereich und arbeiten Sie mit zugelassener Sicherheitsausrüstung, wie z. B. Staubmasken, die speziell zum Herausfiltern mikroskopischer Partikel entwickelt wurden.

⚠️ WARNUNG

LESEN UND VERSTEHEN SIE ALLE ANWEISUNGEN. Die Nichtbeachtung der unten aufgeführten Sicherheitsregeln kann zu Stromschlägen, Brand und/oder Personenschäden führen:

- Arsen und Chrom aus chemisch behandeltem Holz.
- Stellen Sie das Ladegerät nicht dort auf, wo auf das Netzkabel getreten, darüber gestolpert oder beschädigt werden könnte.
- Ein akkubetriebenes Gerät mit integrierten Akkus oder einem separaten Akkupack darf nur mit dem für den Akku vorgesehenen Ladegerät aufgeladen werden. Ein Ladegerät, das für einen Akkutyp geeignet ist, kann bei Verwendung mit einem anderen Akku eine Brandgefahr darstellen.
- Verwenden Sie ein akkubetriebenes Werkzeug nur mit dem speziell dafür vorgesehenen Akku. Bei Verwendung anderer Akkus besteht Brandgefahr.

SYMBOLE

Einige der folgenden Symbole können bei diesem Produkt vorkommen. Bitte sehen Sie sich diese genau an und lernen Sie ihre Bedeutung. Durch die richtige Auslegung dieser Symbole können Sie das Produkt noch sicherer bedienen.

SYMBOL	MEANING
	Sicherheitswarnsymbol. Vorsichtsmaßnahmen, die Ihre Sicherheit betreffen.
	Lesen Sie das Bedienerhandbuch oder das Handbuch. Um das Verletzungsrisiko zu verringern, muss der Benutzer lesen und die Bedienungsanleitung verstehen, bevor Sie dieses Produkt verwenden.
	Augen- und Gehörschutz. Tragen Sie immer einen Augenschutz mit Seitenschutz in Übereinstimmung mit ANSI 287.1, zusammen mit Gehörschutz beim Betrieb dieses Geräts gekennzeichnet ist.
	Warnung wegen Feuchtigkeit. Nicht Regen aussetzen oder an feuchten Orten verwenden
	Abprallen. Herausgeschleuderte Gegenstände können abprallen und zu Personen- oder Sachschäden führen.
	Scharfe Klinge. Halten Sie die Hände von scharfen, sich bewegenden Klingen fern
	Bauweise Klasse II. Doppelt isolierte Bauweise.
	Handschuhe. Tragen Sie rutschfeste, strapazierfähige Handschuhe.
V	Volt
A	Ampere
Hz	Hertz
W	Watt
Min	Minuten
~	Wechselstrom
	Gleichstrom
	Halten Sie Umstehende fern. Halten Sie alle Umstehenden mindestens 50 ft entfernt.

DE

ie folgenden Signalwörter und Bedeutungen sollen das mit diesem Produkt verbundene Risikoniveau erklären.

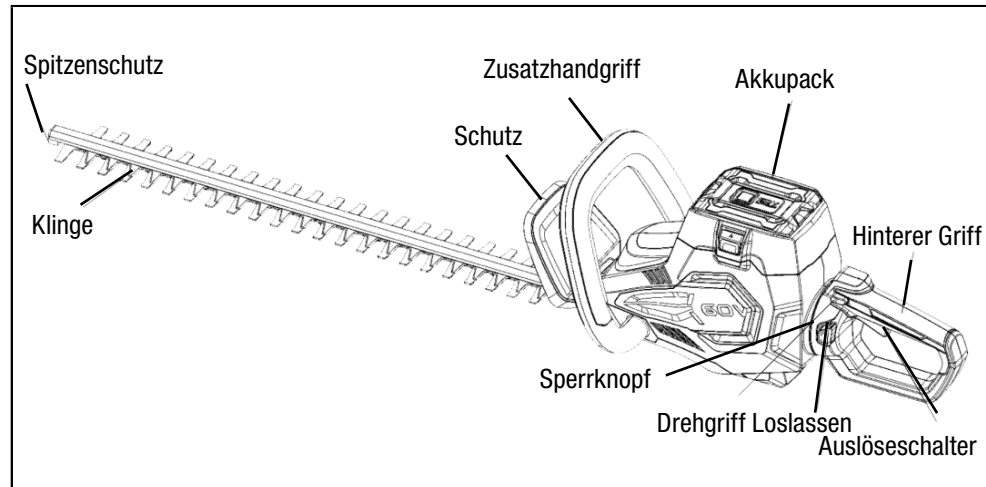
GEFAHR

Weist auf eine drohende gefährliche Situation hin, die, wenn sie nicht vermieden wird, zum Tod oder zu schweren Verletzungen führt.

WARNUNG

Weist auf eine möglicherweise gefährliche Situation hin, die, wenn sie nicht vermieden wird, zum Tod oder zu schweren Verletzungen führen kann.

WISSENSWERTES ÜBER IHRE HECKENSCHERE



Die sichere Verwendung dieses Produkts erfordert das Verständnis der Informationen auf dem Produkt und in dieser Bedienungsanleitung sowie Kenntnisse über Ihr geplantes Projekt. Machen Sie sich vor der Verwendung dieses Produkts mit allen Betriebsfunktionen und Sicherheitsregeln vertraut.

SCHUTZ

Der Schutz hilft dabei, Späne oder andere Ablagerungen von den Händen und Augen des Bedieners abzuleiten.

VORSICHT

Weist auf eine möglicherweise gefährliche Situation hin, die, wenn sie nicht vermieden wird, zu leichten oder mittelschweren Verletzungen führen kann.

VORSICHT

(Ohne Sicherheitswarnsymbol) Weist auf eine Situation hin, die möglicherweise zu Sachschäden führen kann.

MONTAGEANLEITUNG

VORSICHT

Der Akku muss vor dem ersten Gebrauch vollständig aufgeladen werden.

Das Akkupack (BP8302) ist beim Kauf nicht geladen. Setzen Sie das Akkupack vor dem ersten Gebrauch der Hecke auf das Ladegerät und laden Sie ihn auf. Lesen Sie unbedingt alle Sicherheitshinweise und befolgen Sie die Anweisungen im Abschnitt Akkuladegerät.

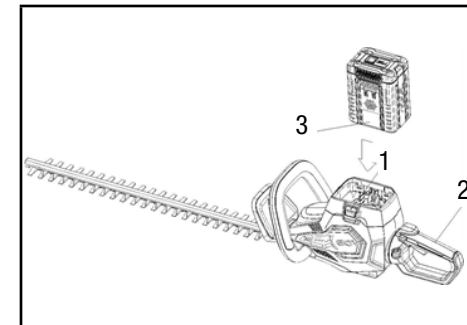
So installieren Sie den Akku :

1. Richten Sie die Zunge (3) des Akkupacks mit der Aussparung im Griffgehäuse aus.
2. Fassen Sie den hinteren Griff (2) fest an.
3. Schieben Sie den Akku in den Griff, bis die Verriegelung einrastet.

HINWEIS: Der Akku passt perfekt in den Griff, um ein versehentliches Lösen zu verhindern. Zum Entfernen kann ein festes Ziehen erforderlich sein.

So entfernen Sie den Akku :

- Drücken Sie die Akkupack-Entriegelungstaste (1) und halten Sie sie gedrückt.
- Fassen Sie den hinteren Griff (2) fest an. Ziehen Sie den Akku aus dem Griff.



VORSICHT

WICHTIG! Entfernen Sie die Klingeneinheit NICHT, es sei denn, sie muss geschärft, begradigt oder ersetzt werden. Bringen Sie es zur Reparatur zu einer qualifizierten Person.

WARNUNG

Befolgen Sie diese Anweisungen, um Verletzungen zu vermeiden und das Risiko eines Stromschlags oder eines Brandes zu verringern:

- Arsen und Chrom aus chemisch behandeltem Holz.
- Tauschen Sie den Akku oder das Ladegerät sofort aus, wenn das Akkufach oder das Ladekabel beschädigt sind.
- Vergewissern Sie sich, dass sich der Schalter in der OFF-Position befindet, bevor Sie den Akku einsetzen oder entfernen.
- Vergewissern Sie sich, dass der Akku entfernt wurde und der Schalter auf OFF steht, bevor Sie Teile der Hecke inspizieren, einstellen oder warten.
- Lesen, verstehen und befolgen Sie die Anweisungen im Abschnitt Ladevorgang.

AUSPACKEN

- Dieses Produkt erfordert keine Montage.
- Nehmen Sie das Produkt und alle Zubehörteile vorsichtig aus dem Karton. Stellen Sie sicher, dass alle in der Packliste aufgeführten Artikel enthalten sind.
- Untersuchen Sie das Produkt sorgfältig, um sicherzustellen, dass es während des Versands nicht beschädigt oder beschädigt wurde.
- Entsorgen Sie das Verpackungsmaterial erst, nachdem Sie das Produkt sorgfältig geprüft und zufriedenstellend betrieben haben.

⚠️ WARNUNG

Um Personenschäden zu vermeiden:

- Gehen Sie vorsichtig mit der Klinge um.
- Bringen Sie Ihre Finger oder Hand nicht zwischen die Kerben in der Klinge oder an einer Stelle, an der sie eingeklemmt oder geschnitten werden könnten.
- Warten Sie das Messer oder die Heckenschere niemals, wenn der Akku nicht entfernt wurde.
- Nicht verwenden, wenn die Klingeneinheit beschädigt oder verbogen ist. Wenden Sie sich zum Begradigen, Ersetzen oder Schärfen an eine qualifizierte Person.
- Halten Sie immer beide Hände an den Griffen der Heckenschere, um zu verhindern, dass Ihre Hand das Messer berührt.

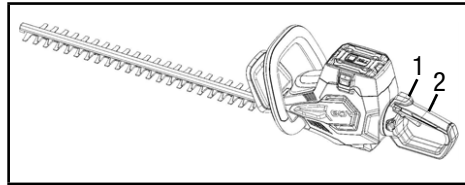
BEDIENUNGSANLEITUNG

EIN/AUS-SCHALTER

- Die Heckenschere verfügt über einen Sperrknopf und einen Schalterauslöser.
- Schieben Sie den Sperrknopf (1) in den Griff und halten Sie ihn fest.
- Drücken Sie den Auslöseschalter (2). Die Heckenschere schaltet sich EIN.
- Lassen Sie den Sperrknopf los. Die Heckenschere bleibt eingeschaltet, solange der Auslöseschalter betätigt wird.
- Die Heckenschere stoppt, wenn Sie den Auslösegriff loslassen.

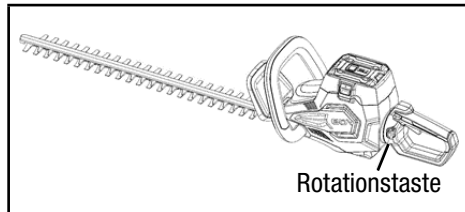
WICHTIG: Wenn die Heckenschere versehentlich fallen gelassen wird, schaltet sie sich aus, und das Messer läuft nach einigen Sekunden aus. Die Heckenschere wird dann wieder mit AUS gesperrt.

Ein regelmäßiges Reinigen und Schmieren der Klinge (z.B. 1 Stunde pro Arbeitsgang) hält die Klinge scharf und macht die Arbeit effizienter,



VERWENDUNG DES DREHENDEN HINTEREN GRIFFS

- Stellen Sie die Heckenschere auf eine ebene und ebene Fläche.
- Stellen Sie sicher, dass Sie den Auslöser losgelassen haben.
- Schieben Sie den Drehknopf und beginnen Sie, den hinteren Griff zu drehen. Lassen Sie den Drehknopf los und drehen Sie den Griff um 90 Grad nach beiden Seiten, bis er einrastet und der Knopf einrastet.
- Um den Griff wieder in die Mitte zu drehen, schieben Sie den Drehknopf erneut, drehen Sie den Griff leicht, lassen Sie den Drehknopf los und drehen Sie den Griff weiter, bis er einrastet.



AKKULADEGERÄT

SPEZIFIKATIONEN

Ladegerät: : C8360/C8362

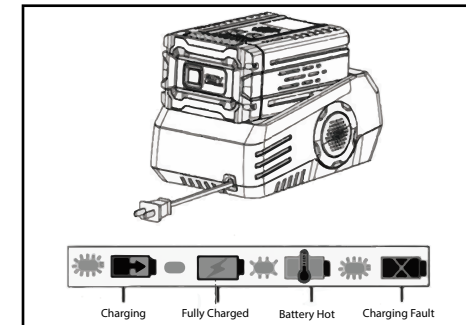
Eingang: 120-240VAC, 50/60Hz, Max.3A

Ausgang: 63VDC. Max.4.5A

Gewicht: 2.6 lbs (1.2kg)

LADEVORGANG (siehe Abbildung .7)

HINWEIS: Der Akku wird nicht vollständig geladen geliefert. Es wird empfohlen, vor dem ersten Gebrauch vollständig aufzuladen, um sicherzustellen, dass die maximale Laufzeit erreicht werden kann. Dieser Lithium-Ionen-Akku entwickelt keinen Speicher und kann jederzeit aufgeladen werden.



LED STATUS	BESCHREIBUNG
Grün blinkend	Ladevorgang
Permanent grün	Vollständig aufgeladen
Permanent rot	Standby
Rot blinkend (schnell)	Fehler beim Laden
Rot blinkend (langsam)	Akkupack oder Übertemperatur

Niederspannungsladung:

Wenn der Akku über einen längeren Zeitraum mit wenig bis gar keiner Ladung aufbewahrt wurde, wechselt das Ladegerät in den Wiederherstellungsmodus, wodurch es länger dauert, bis der Akku vollständig aufgeladen ist. Dies verlängert die Lebensdauer des Akkus. Sobald es vollständig aufgeladen ist, wird die nächste Ladung wieder standardmäßig durchgeführt.

Ein vollständig entladener Akku benötigt die im Akkuhandbuch angegebene Zeit. Stecken Sie das Ladegerät in eine Steckdose.

Legen Sie den Akku in das Ladegerät ein.

Dies ist ein Diagnoseladegerät. Die LED-Leuchten des Ladegeräts leuchten in einer bestimmten Reihenfolge, um den aktuellen Akkustatus zu melden.

Falscher Fehlerhinweis:

Wenn der Akku in das Ladegerät eingesetzt ist und die Status-LED ROT blinkt, nehmen Sie den Akku für 1 Minute aus dem Ladegerät und setzen Sie ihn dann wieder ein. Wenn die Status-LED GRÜN blinkt, wird der Akku ordnungsgemäß geladen. Wenn die Status-LED immer noch ROT blinkt, entfernen Sie den Akku und ziehen Sie das Ladegerät 1 Minute lang aus dem Stromnetz. Schließen Sie das Ladegerät nach 1 Minute an und setzen Sie den Akku wieder ein. Wenn die Status-LED GRÜN blinkt, wird der Akku ordnungsgemäß geladen. Wenn die Status-LED immer noch ROT blinkt, ist der Akku defekt und muss ausgetauscht werden.

ÜBERPRÜFEN DER LADUNG

Wenn der Akku nicht richtig geladen wird:

Prüfen Sie den Strom an der Steckdose mit einem anderen Werkzeug. Stellen Sie sicher, dass die Steckdose nicht ausgeschaltet ist.

Vergewissern Sie sich, dass die Kontakte des Ladegeräts nicht durch Schmutz oder Fremdkörper kurzgeschlossen wurden.

Bringen Sie das Ladegerät und den Akku an einen Ort mit Raumtemperatur, wenn die Lufttemperatur über 104 °F oder unter 45 °F liegt.

⚠️ WARNUNG

Wenn der Akku warm oder heiß in das Ladegerät eingesetzt wird, ändert sich möglicherweise die LED-Ladeanzeige am Ladegerät und leuchtet ROT auf. Lassen Sie den Akku in diesem Fall bis zu 30 Minuten im Ladegerät abkühlen. Der Ladevorgang sollte automatisch beginnen, sobald der Akku abgekühlt ist.

LADEGERÄT-MONTAGE

This charger can be installed hanging on a wall using two #8 screws (not included).

1. Dieses Ladegerät kann mit zwei Schrauben Gr. 8 (nicht im Lieferumfang enthalten) an der Wand hängend montiert werden.

2. Suchen Sie die Stelle, an der das Ladegerät an der Wand montiert werden soll.
3. Verwenden Sie bei Befestigung an Holzbeschlägen 2 Holzschrauben (nicht im Lieferumfang enthalten).
4. Bohren Sie zwei Löcher in der Mitte 5,5 Zoll auseinander und stellen Sie sicher, dass sie vertikal ausgerichtet sind.
5. Verwenden Sie zur Befestigung an Trockenbauwänden Wanddübel (nicht im Lieferumfang enthalten) und Schrauben, um das Ladegerät an der Wand zu befestigen.

Hinweis: Ziehen Sie den Akku aus dem Ladegerät und ziehen Sie den Netzstecker heraus, wenn der Akku und das Ladegerät für längere Zeit nicht verwendet werden.

INSTANDHALTUNG

WARNUNG

Entfernen Sie den Akku, bevor Sie das Gebläse einstellen, inspizieren oder reinigen, um Personenschäden und die Gefahr von Feuer und Stromschlägen zu vermeiden.

Reinigung

Nehmen Sie das Akkupack heraus.

- Bürsten oder blasen Sie staubtrockene Ablagerungen mit Druckluft oder einem Vakuum aus den Lüftungsschlitzen. Halten Sie die Lüftungsöffnungen frei von Hindernissen, Sägemehl und Holzspänen. Sprühen, waschen oder tauchen Sie die Lüftungsschlitze nicht in Wasser.
- Wischen Sie das Gehäuse und die Kunststoffteile mit einem feuchten, weichen Tuch ab. Verwenden Sie keine starken Lösungs- oder Reinigungsmittel auf dem Kunststoffgehäuse oder Kunststoffteilen. Bestimmte Haushaltsreiniger können Schäden und eine Schockgefahr verursachen.

Akkupack

- Lagern Sie das Akkupack voll aufgeladen
- Sobald die Leuchte am Ladegerät konstant grün leuchtet, nehmen Sie den Akku aus dem Ladegerät und trennen Sie das Ladegerät von der Steckdose.
- Lagern Sie den Akku nicht auf dem Gerät.

- Der Akku kann nach dem Aufladen im Ladegerät aufbewahrt werden, solange das Gerät nicht angeschlossen ist.

Wartung des Ladegeräts

Halten Sie die Ladung sauber und frei von Schmutz. Lassen Sie nicht zu, dass Fremdmaterial in den vertieften Hohlraum oder auf die Kontakte gelangt. Wischen Sie das Ladegerät mit einem trockenen, weichen Tuch ab. Verwenden Sie keine Lösungsmittel oder Wasser und stellen Sie das Ladegerät nicht nass auf.

Ziehen Sie das Ladegerät aus der Steckdose, wenn kein Akkupack darin ist.

Laden Sie die Akkus vollständig auf, bevor Sie sie einlagern.

Lagern Sie das Ladegerät bei normaler Temperatur oder Raumtemperatur. Lagern Sie es nicht bei übermäßiger Hitze. Verwenden Sie das Ladegerät nicht bei direkter Sonneneinstrahlung. Laden Sie bei Raumtemperaturen zwischen 45° F und 104° F (7°C und 40° C) auf. Wenn der Akku heiß ist, lassen Sie ihn im Inneren des Ladegerät abkühlen. Der Akku beginnt mit dem Laden, sobald er wieder Raumtemperatur erreicht hat.

UMWELTSICHERE AKKUENTSORGUNG

WARNUNG

Die folgenden giftigen und ätzenden Materialien befinden sich in den in diesem Gebläse verwendeten Akkus Akkupack: Lithium-Ion, ein giftiges Material.

WARNUNG

Alle giftigen Materialien müssen in einer bestimmten Weise entsorgt werden, um eine Kontamination der Umwelt zu verhindern. Wenden Sie sich vor der Entsorgung beschädigter oder abgenutzter Lithium-Ionen-Akkupacks an Ihre örtliche Entsorgungsbehörde oder an die örtliche Umweltschutzbehörde, um Informationen und spezifische Anweisungen zu erhalten. Bringen Sie die Akkus zu einem örtlichen Recycling- und/oder Entsorgungszentrum, das für die Lithium-Ionenentsorgung zertifiziert

INSTANDHALTUNG

WARNUNG

So vermeiden Sie Brand- oder Stromschlaggefahr:

- Verwenden Sie kein feuchtes Tuch oder Reinigungsmittel für den Akku oder das Ladegerät.
- Entfernen Sie immer den Akku, bevor Sie die Heckenschere reinigen, inspizieren oder warten.

Reinigung

1. Wischen Sie die Außenseite der Heckenschere mit einem trockenen, weichen Tuch ab. Nicht abspritzen oder mit Wasser waschen.
2. Kratzen Sie den Schutz ab, um getrocknetes Schnittgut und Schlamm zu entfernen.
3. Bürsten oder blasen Sie Staub, Schmutz und Grasschnitt aus den Lüftungsschlitzen. Halten Sie sie frei von Hindernissen.

WARNUNG

Wenn das Akkupack Risse bekommt oder mit oder ohne Lecks bricht, so laden Sie es nicht wieder auf und verwenden Sie sie nicht mehr. Entsorgen Sie es und ersetzen Sie es durch ein neues Akkupack.

VERSUCHEN SIE NICHT, ES ZU REPARIEREN!

Um Verletzungen und Feuer-, Explosions- oder Stromschlaggefahr sowie Umweltschäden zu vermeiden:

·Decken Sie die Akkuklemmen mit strapazierfähigem Klebeband ab

Versuchen Sie NICHT, die Komponenten des Akkupacks zu entfernen oder zu zerstören.

Versuchen Sie NICHT, das Akkupack zu öffnen.

Wenn ein Leck entsteht, sind die freigesetzten Elektrolyte ätzend und giftig. Lassen Sie die Lösung NICHT in die Augen oder auf die Haut gelangen und schlucken Sie sie nicht.

Legen Sie diese Akkus NICHT in Ihren normalen Haushaltsmüll.

NICHT verbrennen.

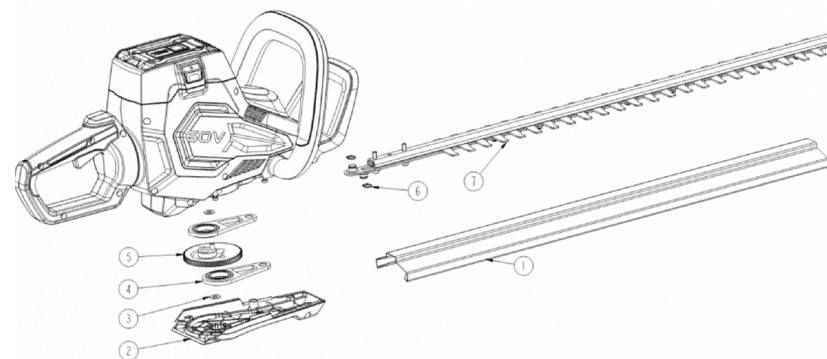
Stellen Sie sie NICHT dort auf, wo sie Teil einer Mülldeponie oder eines städtischen Abfallstroms werden.

Bringen Sie sie zu einem zertifizierten Recycling- oder Entsorgungszentrum.

FEHLERBEHEBUNG

PROBLEM	MÖGLICHE URSACHE	LÖSUNG
Der Motor startet nicht, wenn der Schalterauslöser gedrückt wird.	Der Akku ist nicht sicher.	Um den Akku zu sichern, stellen Sie sicher, dass die Riegel an der Oberseite des Akkus einrasten.
	Der Akku ist nicht geladen.	Laden Sie den Akku gemäß den Anweisungen Ihres Modells auf.
Motor läuft, aber Schneidmesser bewegen sich nicht.	Hecke beschädigt. Verwenden Sie keine Heckenschere.	Kontaktieren Sie den technischen Service.
Heckenschere raucht während des Betriebs.	Hecke beschädigt. Verwenden Sie keine Heckenschere.	Kontaktieren Sie den technischen Service.
Motor brummt, Messer bewegen sich nicht.	Schmutz oder anderes können die Klängen blockieren.	Entfernen Sie den Akku, entfernen Sie die Blockierung durch Schmutz von den Klängen.
Die Klingengeschwindigkeit ist langsam und die Arbeitseffizienz ist gering	Staub und Baumstück führen zu einem erhöhten Reibungswiderstand der Klinge	Messer regelmäßig reinigen und schmieren (z.B. 1 Stunde pro Vorgang)
LED-Anzeige des Werkzeugs blinkt 1-19 mal, Motor startet nicht	Störung der Motorsteuerung oder Übertemperatur oder schwacher Akku oder Überlast usw.	<ol style="list-style-type: none"> Lassen Sie den Auslöser los und starten Sie das Gerät nach 3-5 Sekunden neu; oder Stoppen Sie den Betrieb und lassen Sie das Werkzeug und den Akku abkühlen; oder Laden Sie den Akku

EXPLODIERTE ANSICHT



Artikel	Ersatzteil-Nr.	Name	Menge
1	2806030034	Klingenabdeckung	1
2	2806030017	Getriebeabdeckung	1
3	2806030035	Unterlegscheibe	2
4	2806020009	Schaukelstange	2
5	2806030013	Großes Zahnrad	1
6	301100125	E-Ring	2
7	2806020010	Klingenkomponente	1

GARANTIE

Rückgaberecht

Wir bieten eine 30-tägige Geld-zurück-Garantie für alle Waren, die korrekt versandt wurden und nicht benötigt werden. Der Käufer ist für die Rücksende porto- und verpackungskosten verantwortlich und alle ursprünglichen Versandkosten sind nicht erstattungsfähig. Die Ware sollte in einem für den Weiterverkauf geeigneten Zustand und nach Möglichkeit in der Originalverpackung zurückgegeben werden.

Waren, die speziell für eine Bestellung hergestellt und korrekt versandt werden, können nicht zurückgegeben werden.

Wenn der falsche Artikel erhalten wird, liegt es in der Verantwortung des Käufers, uns innerhalb von 7 Tagen nach Erhalt schriftlich zu benachrichtigen. Es werden dann Vorkehrungen getroffen, damit der fehlerhafte Artikel abgeholt und ein Ersatzartikel versandt wird.

Garantie

Garantie-Qualifikationen

Wir bei Warrior verstehen die Bedeutung der Garantie für Service und Reparatur, wir bieten eine Standardgarantie von 3 Jahren (nur Werkzeuge) und 1 Jahr (nur Akku) an, ohne dass Sie Ihren Kauf registrieren müssen.

Bitte beachten Sie die folgenden Einschränkungen und lesen Sie die vollständigen AGB über die Garantie, die für ein bestimmtes Produkt angeboten wird.

Alles, was wir benötigen, ist entweder eine Kopie des Original-Kaufbelegs oder eine Rechnung, die zum Zeitpunkt des Kaufs vom Händler geliefert wird, um die Geltendmachung des Anspruchs zu ermöglichen. Bitte bewahren Sie Ihren Kaufbeleg für die Dauer Ihrer Laufzeit sicher auf, in dem unglücklichen Fall, dass Sie unsere technische Unterstützung benötigen, werden wir darum bitten, dass dies bei jedem Anspruch zur Verfügung gestellt wird, KEIN Kaufbeleg, ein Garantieanspruch wird verzögert oder abgelehnt.

Die Transportkosten für Produkte oder Teile, die im Rahmen dieser Garantie zur Reparatur oder zum Austausch eingereicht werden, liegen in der alleinigen Verantwortung des Käufers. Diese Garantie gilt nur für den Erstkäufer und ist nicht übertragbar.

Geben Sie das Gerät nicht an den Ort des Kaufs zurück

Wenden Sie sich an den technischen Support und wir werden jedes Problem per Telefon oder E-Mail beheben. Wenn das Problem oder Problem auf diese Weise nicht gelöst wird, werden wir nach eigenem Ermessen eine Bewertung, Reparatur oder den Austausch des defekten Produkts, Teils oder der Komponente in unserer eigenen Service-Center-Werkstatt genehmigen. Wann und wehm ein Produkt ersetzt werden muss, wird es in den meisten Fällen auf einer Like-for-Like-Basis sein, nicht alt für neu. Wir stellen Ihnen eine Fallnummer für den Garantieservice zur Verfügung, die über Ihr Login-Konto überwacht werden kann. Bitte bewahren Sie es für zukünftige Referenz auf. Reparaturen oder Ersatzlieferungen ohne vorherige Genehmigung oder in einer nicht autorisierten Reparaturwerkstatt fallen nicht unter diese Garantie. Wir haben Garantieausschlüsse für Kunden außerhalb des Vereinigten Königreichs, bitte beachten Sie unsere vollständigen AGB..

Garantieausschlüsse

DIESE GARANTIE DECKT FOLGENDES NICHT AB:

NORMALE ABNUTZUNG

Ihr Produkt benötigt regelmäßige Teile und Service, um eine gute Leistung zu erbringen. Diese Garantie deckt keine Reparatur ab, wenn der normale Gebrauch die Lebensdauer eines Teils oder des Geräts als Ganzes erschöpft hat.

INSTALLATION, NUTZUNG UND WARTUNG

Diese Garantie erlischt und (oder) gilt nicht für Teile oder Arbeit, wenn Davon ausgegangen wird, dass Ihr Produkt missbraucht, vernachlässigt, in einen Unfall verwickelt, missbraucht, über die Grenzen hinaus überlastet, modifiziert, unsachgemäß installiert oder falsch an eine elektrische Komponente oder ein System zum Aufladen der Batterie angeschlossen wurde. Die Wartung während des normalen Zeitraums ist nicht durch diese Garantie abgedeckt.

Sonstige Ausschlüsse

Diese Garantie schließt Ausschlüsse:

- kosmetische Defekte wie Farbe, Aufkleber oder Zubehörwerkzeuge
- Ersatzteile einschließlich Klingen, Schnur, Ketten, Stangen oder Taschen
- alle elektrischen Komponenten mit Ausnahme der Hauptsteuereinheit wie Sicherungen, Anschlüsse, Zifferblätter, Knöpfe oder Hebel.
- Ausfälle aufgrund höherer Gewalt und andere Ereignisse höherer Gewalt, die außerhalb der Kontrolle des Herstellers liegen
- Probleme, die durch Teile verursacht werden, die nicht original sind
- Änderung oder Modifikation(en), die von einer anderen Partei als dem Hersteller vorgenommen wurde(n)
- elektrische Geräte von Drittanbietern
- Alle Batterien werden über 1 Jahr alt geliefert.

Grenzen der stillschweigenden Gewährleistung und Folgeschäden

BPE Holdings (Warrior Eco Power Equipment) lehnt jede Verpflichtung ab, Zeitverluste, die Nutzung dieses Produkts, Fracht oder neben- oder Folgekosten durch Personen, die dieses Produkt verwenden, zu decken.

DIESE GARANTIE TRITT AN DIE STELLE ALLER ANDEREN AUSDRÜCKLICHEN ODER STILLSCHWEIGENDEN GEWÄHRLEISTUNGEN, EINSCHLIEßLICH GARANTIEEN DER MARKTGÄNGIGKEIT ODER EIGNUNG FÜR EINEN BESTIMMTEN ZWECK.

Eine Einheit, die als Austausch zur Verfügung gestellt wird, unterliegt der Garantie des Originalgeräts. Die Garantiedauer für das ausgetauschte Gerät wird weiterhin unter Bezugnahme auf das Kaufdatum des Originalgeräts berechnet. Diese Garantie gibt Ihnen bestimmte gesetzliche Rechte, die sich von Land zu Land ändern können. Ihr Land kann auch andere Rechte haben, die Ihnen möglicherweise zustehen, die nicht in dieser Garantie aufgeführt sind.

WARRIOR[®]
ECO POWER EQUIPMENT

MANUEL DU PROPRIÉTAIRE

MODEL #WEP8061HT
TAILLE-HAIE SANS FIL AU LITHIUM-ION



TAILLE-HAIE SANS FIL AU LITHIUM-ION

Lisez attentivement toutes les règles et instructions de sécurité avant d'utiliser cet outil.

REV 20211216

CARACTÉRISTIQUES DE L'APPAREILS

TAILLE-HAIE SANS FIL	
Type	Fonctionnement sans fil sur batterie
Moteur	60Vdc
Batterie	BP8302
Longueur de la lame	24"(61cm)
Capacité de coupe	3/4"
Vitesse alternative	3400 (±10%) SPM

RÈGLES GÉNÉRALES DE SÉCURITÉ

AVERTISSEMENT

LISEZ ET COMPRENEZ TOUTES LES INSTRUCTIONS.

Le non-respect de toutes les instructions énumérées ci-dessous peut entraîner un choc électrique, un incendie et/ou des blessures graves.

Conservez tous les avertissements et instructions pour référence future. Le terme « outil électrique » dans tous les avertissements répertoriés ci-dessous fait référence à votre outil électrique fonctionnant sur batterie (sans fil).

ZONE DE TRAVAIL

- Gardez la zone de travail propre et bien éclairée. Les zones encombrées ou sombres sont propices aux accidents.
- N'utilisez pas d'outils électriques dans des atmosphères explosives, comme en présence de liquides, de gaz ou de poussière inflammables. Les outils électriques créent des étincelles qui peuvent enflammer la poussière ou les vapeurs.
- Tenez les passants, les enfants et les visiteurs éloignés lors de l'utilisation d'un outil électrique. Les distractions peuvent vous faire perdre le contrôle.

SÉCURITÉ ÉLECTRIQUE

- Un outil fonctionnant sur batterie avec des batteries intégrées ou une batterie séparée doit être rechargé uniquement avec le chargeur spécifié pour la batterie. Un chargeur adapté à un type de batterie peut créer un risque d'incendie lorsqu'il est utilisé avec une autre batterie.
- Utilisez un outil sur batterie uniquement avec la batterie spécifiée. L'utilisation de toute autre batterie peut créer un risque d'incendie.
- N'exposez pas les outils électriques à la pluie ou à des conditions humides.

SÉCURITÉ PERSONNELLE

- Restez vigilant, surveillez ce que vous faites et faites preuve de bon sens lorsque vous utilisez un outil électrique. N'utilisez pas l'outil lorsque vous êtes fatigué ou sous l'influence de drogues, d'alcool ou de médicaments. Un moment d'inattention lors de l'utilisation d'outils électriques peut entraîner des blessures graves.

- Utilisez un équipement de protection individuelle. Portez toujours des lunettes de protection. L'équipement de protection tel qu'un masque anti-poussière, des chaussures de sécurité antidérapantes, un casque ou une protection auditive utilisés dans des conditions appropriées réduira les blessures corporelles.
- Habillez-vous correctement. Ne portez pas de vêtements amples ni de bijoux. Attachez les cheveux longs. Gardez vos cheveux, vêtements et gants éloignés des pièces mobiles. Les vêtements amples, les bijoux ou les cheveux longs peuvent se prendre dans les pièces mobiles.
- Évitez les démarrages accidentels. Assurez-vous que l'interrupteur est en position Verrouillé ou Éteint avant d'insérer la batterie. Le transport d'outils avec votre doigt sur l'interrupteur ou l'insertion de la batterie dans un outil avec l'interrupteur en marche est propice aux accidents.
- Retirez les clés de réglage ou les clés avant de mettre l'outil en marche. Une clé laissée attachée à une partie rotative de l'outil peut entraîner des blessures.
- N'allez pas trop loin. Gardez un bon appui et un bon équilibre à tout moment. Un appui et un équilibre appropriés permettent un meilleur contrôle de l'outil dans des situations inattendues.

FR

AVERTISSEMENT

PORTEZ TOUJOURS DES LUNETTES DE PROTECTION.

Un taille-haie peut projeter des corps étrangers dans vos yeux, ce qui pourrait causer des lésions oculaires permanentes. Portez TOUJOURS des lunettes de protection ou des lunettes de sécurité conformes à la norme ANSI 287.1. Les lunettes ordinaires n'ont que des verres résistants aux chocs. ce ne sont PAS.

- Ne forcez pas l'outil électrique. Utilisez l'outil électrique adapté à votre application. Le bon outil électrique fera le travail de manière plus efficace et plus sûre à la vitesse pour laquelle il a été conçu.
- N'utilisez pas l'outil si l'interrupteur ne l'allume pas ou ne l'éteint pas. Tout outil qui ne peut pas être contrôlé avec l'interrupteur est dangereux et doit être réparé.
- Débranchez la batterie de l'outil avant d'effectuer des réglages, de changer d'accessoires ou de ranger l'outil. De telles mesures de sécurité

préventives réduisent le risque de démarrage accidentel de l'outil.

- Rangez les outils inutilisés hors de portée des enfants et des autres personnes non formées. Les outils sont dangereux entre les mains d'utilisateurs non formés.
- Entretenez les outils électriques. Avant l'utilisation, vérifiez qu'il n'y a pas de désalignement ou de grippage des pièces mobiles, de bris de pièces et de toute autre condition pouvant affecter le fonctionnement des outils. S'il est endommagé, faites réparer l'outil avant de l'utiliser. De nombreux accidents sont causés par des outils mal entretenus.
- Gardez les outils de coupe tranchants et propres. Des outils de coupe correctement entretenus avec des bords de coupe tranchants sont moins susceptibles de se coincer et sont plus faciles à contrôler.
- N'utilisez que des accessoires recommandés par le fabricant pour votre outil. Les accessoires qui peuvent convenir à un outil peuvent créer un risque de blessure lorsqu'ils sont utilisés sur un autre outil.

ENTRETIEN:

- L'entretien de l'outil doit être effectué uniquement par un personnel de réparation qualifié. L'entretien ou la maintenance effectués par un personnel non qualifié peut entraîner un risque de blessure.

POUR LES TAILLE-HAIES

DANGER

Si la lame du taille-haie se bloque ou se coince dans un cordon ou des fils électriques, NE TOUCHEZ À LA LAME SOUS AUCUN PRÉTEXTE ! ELLE PEUT ÊTRE SOUS TENSION ÉLECTRIQUE ET PROVOQUER DES BLESSURES GRAVES OU MORTELLES! Relâchez ou laissez tomber le taille-haie de la manière la plus rapide et la plus sûre. Si possible, débranchez la batterie de l'outil. Si cela n'est pas possible, appelez un électricien, un entrepreneur en électricité ou une compagnie d'électricité pour obtenir de l'aide. Le non-respect de cet avertissement de danger entraînera des blessures graves et potentiellement mortelles. Gardez les mains éloignées de la lame.

AVERTISSEMENT

Utilisez les deux mains lorsque vous utilisez le taille-haie. L'utilisation d'une seule main peut entraîner une perte de contrôle et des blessures graves. Gardez TOUJOURS les deux mains sur les poignées du taille-haie pour éviter que votre main ne touche la lame.

- Gardez toutes les parties du corps éloignées de la lame de coupe. Ne retirez pas le matériau coupé ou ne tenez pas le matériau à couper lorsque les lames se déplacent. Assurez-vous que l'interrupteur est éteint lorsque vous dégagez des matériaux coincés. Un moment d'inattention lors de l'utilisation du taille-haie peut entraîner des blessures graves.
- Portez le taille-haie par la poignée avec la lame de coupe arrêlée. Lors du transport ou du stockage du taille-haie, installez toujours le couvercle du dispositif de coupe. Une manipulation correcte du taille-haie réduira les risques de blessures corporelles causées par les lames de coupe.
- Tenez l'outil électrique uniquement par les surfaces de préhension isolées, car la lame de coupe peut entrer en contact avec des câbles cachés ou avec son propre cordon. Les lames de coupe qui entrent en contact avec un fil « sous tension » peuvent rendre les pièces métalliques exposées de l'outil électrique « sous tension » et peuvent provoquer un choc électrique pour l'opérateur.
- N'utilisez PAS le taille-haie lorsque vous êtes fatigué ou que votre visibilité est limitée. N'utilisez pas le taille-haie la nuit ou dans des conditions de lumière réduite.
- Tenez le câble éloigné de la zone de coupe. Pendant le fonctionnement, le câble peut être caché dans des buissons et peut être accidentellement coupé par la lame.
- N'utilisez PAS le taille-haie si le protège-poignée est endommagé.

DANGER

Pour éviter des blessures graves, un risque d'incendie, d'explosion et un danger de choc électrique ou d'électrocution:

- NE sondez PAS le chargeur avec des matériaux conducteurs. Les bornes de charge supportent 120 V.
- Si le boîtier de la batterie est fissuré ou endommagé, NE l'insérez PAS dans le chargeur. Remplacez la batterie.
- NE chargez PAS cette batterie avec un autre type de chargeur.
- NE laissez PAS de liquide pénétrer à l'intérieur du chargeur.
- N'essayez PAS d'utiliser le chargeur à d'autres fins que celles présentées dans ce manuel.

AVERTISSEMENT

Si le liquide de la batterie pénètre dans vos yeux, rincez immédiatement à l'eau claire pendant au moins 15 minutes. Consultez immédiatement un médecin. Ne chargez pas la batterie sous la pluie ou dans des conditions humides. Ne plongez pas l'outil, la batterie ou le chargeur dans l'eau ou tout autre liquide.

- Ne laissez pas la batterie ou le chargeur surchauffer. S'ils sont chauds, laissez-les refroidir. Rechargez uniquement à température ambiante.
- Ne couvrez pas les fentes d'aération sur le dessus du chargeur. Ne placez pas le chargeur sur une surface molle. Gardez les fentes de ventilation du chargeur dégagées.
- Ne laissez pas de petits objets métalliques ou des matériaux tels que de la laine d'acier, des feuilles d'aluminium ou d'autres particules étrangères pénétrer dans la cavité du chargeur.
- Débranchez le chargeur avant de le nettoyer et lorsqu'il n'y a pas de batterie dans la cavité.
- Ne laissez pas le chargeur de batterie ou la batterie au soleil ou dans un environnement chaud pendant de longues périodes. Conservez à température ambiante normale.
- N'essayez pas de connecter deux chargeurs ensemble.
- Les cellules de la batterie peuvent développer une petite fuite dans des conditions d'utilisation ou de température extrêmes. Si le sceau extérieur est brisé et que la fuite touche votre peau:
 - 1a. Lavez-vous immédiatement à l'eau et au savon.
 - 1b. Neutralisez avec du jus de citron, du vinaigre ou un autre acide doux.

AVERTISSEMENT (PROPOSITION 65)

Certaines poussières créées par le ponçage mécanique, le sciage, le meulage, le perçage et d'autres activités de construction contiennent des produits chimiques connus pour causer le cancer, des malformations congénitales ou d'autres problèmes de reproduction. Voici quelques exemples de ces produits chimiques .

- Le plomb des peintures à base de plomb
- Silice cristalline provenant de briques et de ciment et d'autres produits de maçonnerie.
- Arsenic et chrome provenant de bois traité chimiquement.

Votre risque d'exposition à ces produits chimiques varie en fonction de la fréquence à laquelle vous effectuez ce type de travail. Pour réduire votre exposition à ces produits chimiques, travaillez dans un endroit bien ventilé et travaillez avec des équipements de sécurité approuvés, tels que des masques anti-poussière spécialement conçus pour filtrer les particules microscopiques.

AVERTISSEMENT

LISEZ ET COMPRENEZ TOUTES LES INSTRUCTIONS. Le non-respect des règles de sécurité énumérées ci-dessous peut entraîner un choc électrique, un incendie et/ou des blessures:

- Arsenic et chrome provenant de bois traité chimiquement.
- Ne placez pas le chargeur à un endroit où le cordon d'alimentation pourrait être piétiné, où quelqu'un pourrait trébucher dessus ou endommagé.
- Un outil fonctionnant sur batterie avec des batteries intégrées ou une batterie séparée doit être rechargé uniquement avec le chargeur spécifié pour la batterie. Un chargeur adapté à un type de batterie peut créer un risque d'incendie lorsqu'il est utilisé avec une autre batterie.
- Utilisez un outil sur batterie uniquement avec la batterie spécifiquement conçue pour. L'utilisation de toute autre batterie peut créer un risque d'incendie.

SYMBOLES

Certains des symboles suivants peuvent être utilisés sur cet appareil. Veuillez vous familiariser avec ces symboles et apprendre leur signification. Une interprétation correcte de ces symboles vous permettra de mieux utiliser l'appareil, en toute sécurité.

SYMBOLE	DÉSIGNATION/EXPLICATION
	Alerte de sécurité. Précautions qui impliquent votre sécurité.
	Lire le manuel de l'opérateur. Pour réduire le risque de blessure, l'utilisateur doit lire et comprendre le manuel d'utilisation avant d'utiliser cet appareil.
	Protection des yeux et de l'ouïe. Portez toujours des lunettes de protection avec des écrans latéraux marqués conformes à la norme ANSI 287.1 ainsi qu'une protection auditive lors de l'utilisation de cet équipement.
	Alerte de conditions humides. N'exposez pas à la pluie ou n'utilisez pas dans des endroits humides.
	Ricochet. Les objets projetés peuvent ricocher et provoquer des blessures ou des dommages matériels.
	Lame tranchante. Gardez les mains éloignées des lames tranchantes et mobiles.
	Construction de classe II. Construction à double isolation.
	Gants. Portez des gants résistants et antidérapants.
V	Voltage
A	Ampères
Hz	Hertz
W	Watts
Min	Minutes
~	Courant alternatif
	Courant continu
	Éloigner les passants. Gardez tous les passants à au moins 50 pieds de distance.

Les mots indicateurs et les significations suivants sont destinés à expliquer les niveaux de risque associés à cet appareil.

DANGER

Indique une situation de danger imminent qui, si elle n'est pas évitée, entraînera des blessures graves ou mortelles.

AVERTISSEMENT

Indique une situation potentiellement dangereuse qui, si elle n'est pas évitée, peut entraîner des blessures graves ou mortelles.

ATTENTION

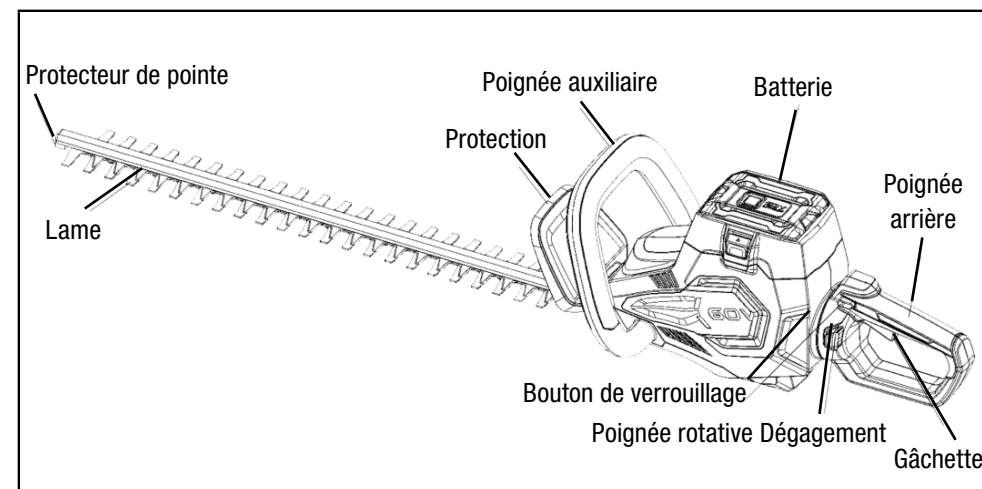
Indique une situation potentiellement dangereuse qui, si elle n'est pas évitée, peut entraîner des blessures légères ou de gravité modérée.

ATTENTION

(Sans symbole d'alerte de sécurité) Indique une situation qui peut entraîner des dommages matériels.

FR

CONNAÎTRE SON TAILLE-HAIE SANS FIL



L'utilisation sûre de cet appareil nécessite une compréhension des informations sur l'appareil et dans ce manuel d'utilisation ainsi qu'une connaissance du projet envisagé. Avant d'utiliser cet appareil, familiarisez-vous avec toutes les caractéristiques de fonctionnement et les règles de sécurité.

PROTECTION

La protection aide à dévier les copeaux ou autres débris des mains et des yeux de l'opérateur.

GÂCHETTE

Le bouton de verrouillage doit être enfoncé avant que la gâchette ne soit enfoncée. Une fois la gâchette enclenchée, le bouton de verrouillage peut être relâché. Lorsque la gâchette est relâchée, le bouton de verrouillage revient automatiquement en position de verrouillage.

INSTRUCTIONS DE MONTAGE

ATTENTION

La batterie a besoin d'une charge complète avant la première utilisation.

IMPORTANT! La batterie (BP8302) n'est pas chargée lors de l'achat. Avant d'utiliser le taille-haie pour la première fois, placez la batterie sur le chargeur de batterie et chargez-la. Assurez-vous de lire toutes les précautions de sécurité et suivez les instructions de la section Chargeur de batterie.

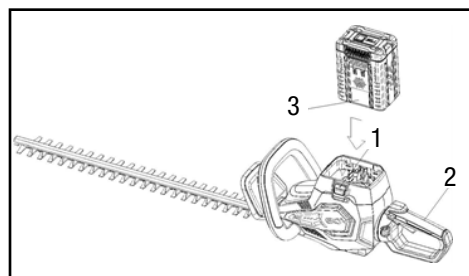
Pour installer la batterie :

1. Alignez la languette (3) de la batterie avec la cavité dans le boîtier de la poignée.
2. Saisissez fermement la poignée arrière (2).
3. Poussez la batterie dans la poignée jusqu'à ce que le loquet s'enclenche.

REMARQUE: la batterie s'insère parfaitement dans la poignée pour éviter qu'elle ne se déloge accidentellement. Il peut être nécessaire d'appliquer une forte traction pour l'enlever.

Pour retirer la batterie :

- Appuyez sur le bouton de déverrouillage de la batterie (1) et maintenez-le enfoncé.
- Saisissez fermement la poignée arrière (2). Retirez la batterie de la poignée.

**ATTENTION**

IMPORTANT! NE retirez PAS l'assemblage de lames à moins qu'il n'ait besoin d'être affûté, redressé ou remplacé. Apportez l'appareil à une personne qualifiée pour le faire réparer.

AVERTISSEMENT

Suivez ces instructions afin d'éviter les blessures et de réduire le risque de choc électrique ou d'incendie:

- Arsenic et chrome provenant de bois traité chimiquement.
- Remplacez immédiatement la batterie ou le chargeur si le boîtier de la batterie ou le cordon du chargeur est endommagé.
- Vérifiez que l'interrupteur est en position Éteint avant d'insérer ou de retirer la batterie.
- Vérifiez que la batterie est retirée et que l'interrupteur est en position Éteint avant d'inspecter, de régler ou d'effectuer l'entretien de toute partie du taille-haie.
- Lisez, comprenez et suivez les instructions contenues dans la section intitulée Procédure de charge.

DÉBALLAGE

- Cet appareil ne nécessite aucun assemblage.
- Retirez soigneusement l'appareil et tous les accessoires de la boîte. Assurez-vous que tous les éléments énumérés dans la liste de colisage sont inclus.
- Inspectez soigneusement l'appareil pour vous assurer qu'aucun bris ou dommage ne s'est produit pendant l'expédition.
- Ne jetez pas le matériel d'emballage avant d'avoir soigneusement inspecté et utilisé l'appareil de manière satisfaisante.

AVERTISSEMENT**Pour éviter les blessures:**

- Manipulez la lame avec précaution.
- Ne placez pas vos doigts ou votre main entre les encoches de la lame ou dans une position où ils pourraient être pincés ou coupés.
- Ne procédez jamais à l'entretien de la lame ou du taille-haie tant que la batterie n'est pas retirée.
- N'utilisez pas l'appareil si l'assemblage de lames est endommagé ou plié. Confiez-le à une personne qualifiée pour le redresser, le remplacer ou l'affûter.
- Gardez toujours les deux mains sur les poignées du taille-haie pour éviter que votre main ne touche la lame.

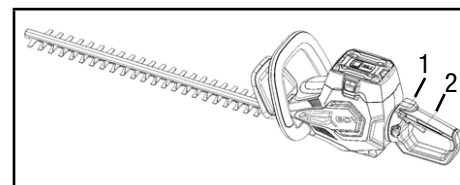
MODE D'EMPLOI

INTERRUPTEURS MARCHE/ARRÊT

- Le taille-haie est doté d'un bouton de verrouillage et d'une gâchette.
- Faites glisser le bouton de verrouillage (1) dans la poignée et maintenez-le enfoncé.
- Appuyez sur la gâchette (2). Le taille-haie s'allumera.
- Relâchez le bouton de verrouillage. Le taille-haie reste allumé tant que la gâchette est enclenchée.
- Le taille-haie s'arrêtera si vous relâchez la gâchette.

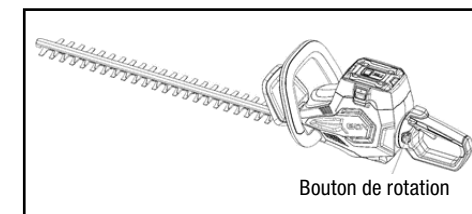
IMPORTANT: Si le taille-haie tombe accidentellement, celui-ci s'éteindra et la lame s'arrêtera en roue libre après plusieurs secondes. Le taille-haie sera alors à nouveau verrouillé sur Éteint.

Nettoyer la lame régulièrement et la lubrifier à intervalles réguliers (par exemple toutes les heures de fonctionnement) gardera la lame affûtée et rendra le travail plus efficace.



UTILISATION DE LA POIGNÉE ARRIÈRE ROTATIVE

- Placez le taille-haie sur une surface plane et uniforme.
- Assurez-vous d'avoir relâché la gâchette.
- Faites glisser le bouton de rotation et commencez à tourner la poignée arrière. Relâchez le bouton de rotation et tournez la poignée de 90 degrés de chaque côté jusqu'à ce qu'elle s'enclenche et que le bouton se verrouille.
- Pour remettre la poignée au centre, faites glisser à nouveau le bouton de rotation, tournez légèrement la poignée, relâchez le bouton de rotation et continuez à tourner la poignée jusqu'à ce qu'elle se verrouille en place.



Bouton de rotation

CHARGEUR DE BATTERIE

CARACTÉRISTIQUES

Chargeur: C8360/C8362

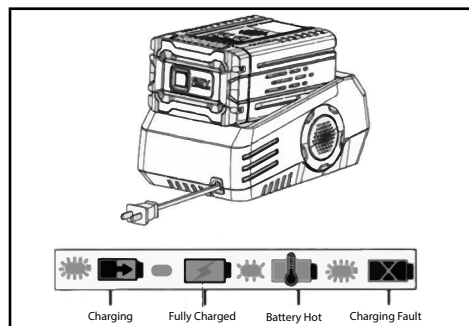
Entrée : 120-240 V AC, 50/60 Hz, 3 A max.

Sortie : 63 V DC, 4,5 A max.

Poids : 2,6 lb (1,2 kg)

PROCÉDURE DE CHARGE (Voir Figure 7)

REMARQUE: la batterie n'est pas expédiée complètement chargée. Il est recommandé de la charger complètement avant la première utilisation pour garantir une durée de fonctionnement maximale. Cette batterie lithium-ion ne développera pas de mémoire et pourra être rechargée à tout moment.



LED STATUS	LA DESCRIPTION
Vert clignotant	Charge en cours
Vert fixe	Entièrement chargé
Rouge fixe	Veille
Rouge clignotant (rapide)	Défaut de charge
Rouge clignotant (lent)	Batterie surchauffe

Remarque sur les faux défauts:

Lorsque la batterie est insérée dans le chargeur et que la LED d'état clignote en ROUGE, retirez la batterie du chargeur pendant 1 minute, puis réinsérez-la. Si la LED d'état clignote en VERT, la batterie se charge correctement. Si la LED d'état clignote toujours en ROUGE, retirez la batterie et débranchez le chargeur pendant 1 minute. Après 1 minute, branchez le chargeur et réinsérez la batterie. Si la LED d'état clignote en VERT, la batterie se charge correctement. Si la LED d'état

clignote toujours en ROUGE, la batterie est défectueuse et doit être remplacée.

VÉRIFICATION DE LA CHARGE

Si la batterie ne se charge pas correctement :

Vérifiez le courant à la prise de courant avec un autre outil. Assurez-vous que la prise n'est pas éteinte.

Vérifiez que les contacts du chargeur n'ont pas été court-circuités par des débris ou des corps étrangers.

Si la température de l'air est supérieure à 104 °F ou inférieure à 45 °F, déplacez le chargeur et la batterie dans un endroit à température ambiante.

AVERTISSEMENT

Si la batterie est insérée dans le chargeur lorsqu'elle est tiède ou chaude, le voyant LED DE CHARGE du chargeur peut s'allumer en ROUGE. Si cela se produit, laissez la batterie refroidir à l'intérieur du chargeur pendant 30 minutes. La charge devrait démarrer automatiquement une fois la batterie refroidie.

MONTAGE DU CHARGEUR

1. Ce chargeur peut être fixé au mur à l'aide de deux vis #8 (non incluses).
2. Localisez l'emplacement du chargeur à fixer au mur.
3. Si vous le fixez à des montants en bois, utilisez deux vis à bois (non incluses).
4. Percez deux trous au centre à 5,5 pouces l'un de l'autre en vous assurant qu'ils soient alignés verticalement.
5. En cas de fixation sur des cloisons sèches, utilisez des chevilles murales (non incluses) et des vis pour fixer le chargeur au mur.

Remarque : si la batterie et le chargeur ne seront pas utilisés pendant une longue période, retirez la batterie du chargeur et débranchez la prise d'alimentation CA.

ENTRETIEN

AVERTISSEMENT

Afin d'éviter les blessures et les risques d'incendie et de choc électrique, retirez la batterie avant de régler, d'inspecter ou de nettoyer le souffleur.

Nettoyage

Retirez la batterie.

- Brossez ou soufflez la poussière et les débris hors des bouches d'aération à l'aide d'air comprimé ou d'un aspirateur. Gardez les bouches d'aération exemptes d'obstructions, de sciure de bois et de copeaux de bois. Ne vaporisez, ne lavez ou n'immergez pas les bouches d'aération dans l'eau.
- Essuyez le boîtier et les composants en plastique à l'aide d'un chiffon humide et doux. N'utilisez pas de solvants ou de détergents puissants sur le boîtier en plastique ou les composants en plastique. Certains produits de nettoyage ménagers peuvent causer des dommages et un risque d'électrocution.

Batterie

- Rangez la batterie une fois celle-ci complètement chargée.
- Une fois que le voyant du chargeur devient vert fixe, retirez la batterie du chargeur et débranchez le chargeur de la prise.
- Ne stockez pas la batterie sur l'outil.
- Après la charge, la batterie peut être stockée dans le chargeur, tant que le chargeur n'est pas branché.

Entretien du chargeur

Gardez le chargeur propre et exempt de débris. Ne laissez pas de corps étrangers pénétrer dans la cavité encastrée ou sur les contacts. Essuyez le chargeur avec un chiffon doux et sec. N'utilisez pas de solvants ou d'eau et ne placez pas le chargeur dans des conditions humides.

Débranchez le chargeur lorsqu'il n'y a pas de batterie dedans.

Chargez complètement les batteries avant de les ranger.

Conservez le chargeur à température ambiante normale. Ne le stockez pas dans une chaleur excessive. N'utilisez pas le chargeur en plein soleil. Rechargez à température ambiante entre 45 °F et 104 °F (7 °C et 40 °C). Si la batterie est chaude, laissez-la refroidir à l'intérieur du

chargeur. La batterie commencera à se charger une fois qu'elle sera revenue à température ambiante.

ÉLIMINATION DE LA BATTERIE RESPECTUEUSE DE L'ENVIRONNEMENT

AVERTISSEMENT

Les matériaux toxiques et corrosifs suivants se trouvent dans les batteries utilisées dans ce souffleur Batterie : Lithium-Ion, un matériau toxique.

AVERTISSEMENT

Tous les matériaux toxiques doivent être éliminés d'une manière spécifiée pour éviter la contamination de l'environnement. Avant de mettre au rebut des batteries au lithium-ion endommagées ou usées, contactez votre agence locale d'élimination des déchets ou l'agence locale de protection de l'environnement pour obtenir des informations et des instructions spécifiques. Apportez les batteries à un centre de recyclage et/ou d'élimination local, certifié pour l'élimination du lithium-ion.

⚠ AVERTISSEMENT

Si la batterie se fissure ou se brise, avec ou sans fuite, ne la rechargez pas et ne l'utilisez pas. Éliminez-la et remplacez-la par une nouvelle batterie.

N'ESSAYEZ PAS DE LA RÉPARER !

Pour éviter les blessures et les risques d'incendie, d'explosion ou de choc électrique, et pour éviter d'endommager l'environnement :

·Couvrez les bornes de la batterie avec du ruban adhésif résistant.

- N'essayez PAS de retirer ou de détruire l'un des composants de la batterie.
- N'essayez PAS d'ouvrir la batterie.
- Si une fuite se développe, les électrolytes libérés sont corrosifs et toxiques. NE mettez PAS la solution dans les yeux ou sur la peau et ne l'avalez PAS.
- NE placez PAS la batterie dans vos ordures ménagères ordinaires.
- NE l'incinérerez PAS.
- NE jetez PAS la batterie là où elle fera partie d'une décharge de déchets ou d'un flux de déchets urbains solides.
- Apportez-la à un centre de recyclage ou d'élimination certifié.

ENTRETIEN**⚠ AVERTISSEMENT**

Pour éviter tout risque d'incendie, de choc électrique ou d'électrocution :

- N'utilisez pas de chiffon humide ou de détergent sur la batterie ou le chargeur de batterie.
- Retirez toujours la batterie avant de nettoyer, d'inspecter ou d'effectuer tout entretien sur le taille-haie.

Nettoyage

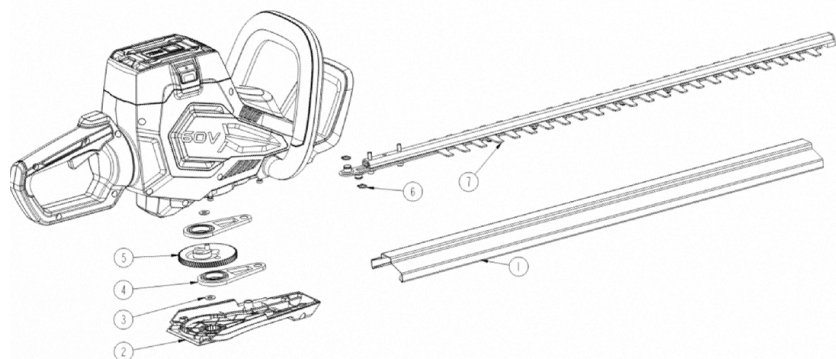
1. Essuyez l'extérieur du taille-haie avec un chiffon doux et sec. N'arrosez pas et ne lavez pas avec de l'eau.
2. Grattez la protection pour enlever les coupures séchées et la boue.
3. Brossez ou soufflez la poussière, les débris et l'herbe coupée hors des bouches d'aération. Gardez-les libres de toute obstruction.

DÉPANNAGE

PROBLÈME	CAUSE POSSIBLE	SOLUTION
Le moteur ne démarre pas lorsque la gâchette est enfoncée.	La batterie n'est pas sécurisée.	Pour fixer la batterie, assurez-vous que les loquets sur le dessus de la batterie s'enclenchent.
	La batterie n'est pas chargée.	Chargez la batterie conformément aux instructions fournies avec votre modèle.
Le moteur tourne mais les lames de coupe ne bougent pas.	Le taille-haie est endommagé. N'utilisez pas le taille-haie.	Appelez le service technique.
Le taille-haie fume pendant le fonctionnement.	Le taille-haie est endommagé. N'utilisez pas le taille-haie.	Appelez le service technique.
Le moteur vrombit, les lames ne bougent pas.	Des débris ou autres peuvent bloquer les lames.	Retirez la batterie, éliminez des lames les débris qui provoquent un blocage.
La vitesse de la lame est lente et l'efficacité de travail est faible.	La poussière et les fibres de bois augmentent la résistance au frottement de la lame.	Nettoyez la lame et lubrifiez-la régulièrement (par exemple toutes les heures de fonctionnement).
L'indicateur LED de l'outil clignote 1 à 19 fois, le moteur ne démarre pas.	Défaut du contrôleur de moteur, ou surchauffe, ou batterie faible, ou surcharge, etc.	<ol style="list-style-type: none"> 1. Relâchez la gâchette et redémarrez la machine après 3 à 5 s ; ou 2. Arrêtez le fonctionnement et laissez refroidir l'outil et la batterie ; ou 3. Chargez la batterie.

FR

VUE ÉCLATÉE



Article	N° de pièce de rechange	Nom	Quantité
1	2806030034	Couvre-lame	1
2	2806030017	Couvercle de boîte de vitesses	1
3	2806030035	Rondelle	2
4	2806020009	Tige oscillante	2
5	2806030013	Grand engrenage	1
6	301100125	Anneau E	2
7	2806020010	Composant de lame	1

GARANTIE

Retours

Nous offrons une garantie de remboursement de 30 jours sans équivoques pour toutes les marchandises expédiées correctement qui ne sont pas nécessaires. L'acheteur sera responsable des frais de retour et d'emballage et tous les frais d'expédition d'origine ne sont pas remboursables. Les marchandises doivent être retournées dans un état approprié à la revente et, si possible, doivent être retournées dans leur emballage d'origine.

Les marchandises qui sont fabriquées spécifiquement pour une commande et expédiées correctement ne peuvent pas être retournées.

Si le mauvais article est reçu, il incombe à l'acheteur de nous en informer par écrit dans les 7 jours suivant la réception. Des dispositions seront alors prises pour que l'article incorrect soit récupéré et qu'un article de remplacement soit expédié.

Conditions de garantie

Chez Warrior, nous comprenons l'importance de la garantie pour le service et la réparation, nous offrons une garantie standard de 3 ans (outils uniquement) et 1 an (batterie uniquement) sans qu'il soit nécessaire d'enregistrer votre achat.

Veillez consulter les limitations ci-dessous et lire les conditions générales complètes concernant la garantie offerte sur un produit particulier.

Tout ce dont nous avons besoin est soit une copie de la preuve d'achat originale, soit une facture fournie par le détaillant au moment de l'achat pour permettre la réclamation. Veuillez conserver votre preuve d'achat en lieu sûr pendant la durée de vos conditions, dans le cas où vous auriez besoin de notre support technique, nous vous demanderons de le fournir sur chaque réclamation, AUCUNE preuve d'achat, aucune réclamation au titre de la garantie ne sera retardée ou rejetée.

Les frais de transport de tout produit ou pièce(s) soumis pour réparation ou remplacement en vertu de cette garantie sont à la charge exclusive de l'acheteur. Cette garantie s'applique uniquement à l'acheteur original et n'est pas transférable.

Ne retournez pas l'unité au lieu d'achat

Contactez le support technique et nous résoudrons tout problème par téléphone ou par e-mail. Si le problème n'est pas résolu par cette méthode, nous autoriserons, à discrétion, une évaluation, une réparation ou un remplacement du produit, des pièces ou des composants défectueux dans notre propre atelier de centre de service. Si et quand un produit doit être remplacé, dans la plupart des cas, ce sera sur une base comparable et non pas un ancien pour un nouveau. Nous vous fournirons un numéro de dossier pour le service de garantie et cela peut être contrôlé via votre compte de connexion. Veuillez le conserver pour référence future. Les réparations ou les remplacements sans autorisation préalable, ou dans un centre de réparation non autorisé, ne seront pas couverts par cette garantie. Nous avons des exclusions de garantie pour les clients en dehors du Royaume-Uni, veuillez consulter nos conditions générales complètes.

Exclusions de Garantie

CETTE GARANTIE NE COUVRE PAS CE QUI SUIT :

USURE NORMALE

Votre produit a besoin de pièces et d'un service périodique pour bien fonctionner. Cette garantie ne couvre pas la réparation lorsque l'utilisation normale a épuisé la durée de vie d'une pièce ou de l'équipement dans son ensemble.

INSTALLATION, UTILISATION ET ENTRETIEN

Cette garantie sera annulée et (ou) ne s'appliquera pas aux pièces ou à la main-d'œuvre si votre produit est réputé avoir été mal utilisé, négligé, impliqué dans un accident, abusé, surchargé au-delà des limites, modifié, installé de manière incorrecte ou connecté de manière incorrecte à tout composant ou système de charge de la batterie. L'entretien normal n'est pas couvert par cette garantie.

Autres exclusions

Cette garantie exclut

- Défauts cosmétiques tels que peinture, décalcomanies, autocollants ou outils accessoires
- Pièces de rechange, y compris les lames, les cordes, les chaînes, les barres ou les sacs
- Tout composant électrique autre que l'unité de commande principale comme les fusibles, les connecteurs, les cadrans, les boutons ou les leviers.
- Les défaillances dues à des cas fortuits et à d'autres événements de force majeure indépendants de la volonté du fabricant
- Problèmes causés par des pièces qui ne sont pas d'origine
- Altération ou modification(s) apportée(s) par toute partie autre que le fabricant
- Tout équipement électrique tiers

Toutes les piles fournies ont plus d'un an.

Limites de la garantie implicite et des dommages indirects

BPE Holdings (Warrior Eco Power Equipment) décline toute obligation de couvrir toute perte de temps, d'utilisation de ce produit, de fret ou tout coût de réclamation accessoire ou consécutif par toute personne utilisant ce produit.

CETTE GARANTIE REMPLACE TOUTES LES AUTRES GARANTIES, EXPRESSES OU IMPLICITES, Y COMPRIS LES GARANTIES DE QUALITÉ MARCHANDE OU D'ADAPTATION À UN USAGE PARTICULIER.

Une unité fournie en échange sera soumise à la garantie de l'unité d'origine. La durée de la garantie de l'unité échangée restera calculée par référence à la date d'achat de l'unité d'origine. Cette garantie vous donne certains droits légaux qui peuvent changer d'un pays à l'autre. Votre pays peut également avoir d'autres droits auxquels vous pourriez avoir droit et qui ne sont pas répertoriés dans cette garantie.

PRODUKTSPECIFIKATIONER

LITIJON LÅDLÖS HÄCKSAX	
Typ	sladdlös batteridrivnen
Motor	60Vdc
Battery Pack	BP8302
Blad Längd	24"(61cm)
Skärande Förmåga	3/4"
Ömsesidig hastighet	3400 (±10%) SPM



LITIJON LÅDLÖS HÄCKSAX

SPARA DESSA INSTRUKTIONER. Denna bruksanvisning innehåller viktiga säkerhetsåtgärder som ska läsas och förstås innan produkten används. Underlåtenhet att göra detta kan leda till allvarliga personskador. Denna bruksanvisning bör förbli hos produkten.

Specifikationer, beskrivningar och illustrationer i denna bruksanvisning är så exakta som möjligt vid tidpunkten för publicering, men kan ändras utan föregående meddelande.

ALLMÄNNA SÄKERHETSREGLER

⚠ VARNING

LÄS OCH FÖRSTA ALLA INSTRUKTIONER.

Underlåtenhet att följa alla anvisningar nedan kan leda till elektrisk stöt, brand och / eller allvarlig personskada. Spara alla varningar och instruktioner för framtida referens. Uttrycket "elverktyg" i alla varningar som listas nedan hänvisar till ditt nätverkade batteridrivna (sladdlösa) elverktyg.

ARBETSUTA

- Håll ditt arbetsområde rent och väl upplyst. Ruttiga eller mörka områden inbjuder till olyckor.
- Använd inte elverktyg i explosiva atmosfärer, t.ex. i närvaro av brandfarliga vätskor, gaser eller damm. Elverktyg skapar gnistor som kan antända damm eller ångor.
- Håll åskådare, barn och besökare borta när du använder ett elverktyg. Distractioner kan leda till att du tappar kontrollen.

ELSÄKERHET

- Ett batteridrivet verktyg med integrerade batterier eller ett separat batteripaket får endast laddas med den angivna laddaren för batteriet. En laddare som kan vara lämplig för en batteritype kan skapa brandrisk när den används med ett annat batteri.
- Använd endast ett batteridrivet verktyg med specificerat batteripaket. Användning av andra batterier kan skapa risk för brand.
- Utsätt inte elverktyg för regn eller våta förhållanden.

PERSONLIG SÄKERHET

- Var uppmärksam, se vad du gör och använd sunt förnuft när du använder ett elverktyg. Använd inte verktyget när du är trött eller påverkad av droger, alkohol eller medicinering. Ett ögonblick av ouppmärksamhet under drift av elverktyg kan leda till allvarlig personskada.
- Använd personlig skyddsutrustning. Bär alltid ögonskydd. Skyddsutrustning som dammmaske, skyddsskor som inte är slipade, hård hatt eller hörselskydd som används vid lämpliga förhållanden minskar personsador.

- Klä dig ordentligt. Bär inte lösa kläder eller smycken. Innehåller långt hår. Håll hår, kläder och handskar borta från rörliga delar. Lösa kläder, smycken och långt hår kan fångas i rörliga delar.
- Undvik oavsiktliga uppstart. Se till att omkopplaren är i låst eller avstängt läge innan du sätter i batteriet. Att bära verktyg med fingret på brytaren eller sätta in batteripaketet i ett verktyg med omkopplaren inbjuder till olyckor.
- Ta bort justeringstangenter eller skiftnycklar innan du sätter på verktyget. En skiftnyckel eller nyckel som sitter kvar på en roterande del av verktyget kan leda till personsador
- Överskrid inte. Håll rätt fot och balans hela tiden. Rätt fot och balans möjliggör bättre kontroll av verktyget i oväntade situationer.

⚠ VARNING

ALWAYS WEAR EYE PROTECTION.

En häcktrimmer kan kasta främmande föremål i ögonen som kan orsaka permanent ögonskada. Bär ALLTID skyddsglasögon eller skyddsglasögon som följer ANSI 287.1. Vanliga glasögon har bara slagfast linser ... de är INTE skyddsglasögon eller glasögon.

- Tvinga inte elverktyget. Använd rätt elverktyg för din applikation. Rätt elverktyg kommer att göra jobbet bättre och säkrare med den hastighet som det utformades för.
- Använd inte verktyget om omkopplaren inte slår på eller stänger av det. Ett verktyg som inte kan styras med omkopplaren är farligt och måste repareras.
- Koppla loss batteripaketet från verktyget innan du gör justeringar, byter tillbehör eller förvarar verktyget. Sådana förebyggande säkerhetsåtgärder minskar risken för att starta verktyget oavsiktligt.
- Förvara lediga verktyg utom räckhåll för barn och andra utbildade personer. Verktyg är farliga i händerna på otränade användare.
- Underhåll elverktyg. Innan du använder den, kontrollera om det är felinställning eller bindning av rörliga delar, delar har gått sönder och andra tillstånd som kan påverka verktygets funktion. Om det är skadat ska du reparera verktyget innan du använder det. Många olyckor orsakas av dåligt underhållna verktyg.

⚠ VARNING

Använd båda händerna när du använder häcktrimmern. Att använda en hand kan orsaka förlust av kontroll och leda till allvarlig personskada. Håll ALLTID båda händerna på häcktrimmerhandtagen för att förhindra att din hand rör vid bladet. Använd båda händerna när du använder häcktrimmern. Att använda en hand kan orsaka förlust av kontroll och leda till allvarlig personskada. Håll ALLTID båda händerna på häcktrimmerhandtagen för att förhindra att din hand rör vid bladet.

- Håll alla kroppsdelar borta från skärbladet. Ta inte bort klippt material eller håll i material som ska klippas när bladen rör sig. Se till att strömbrytaren är avstängd när du tömmer fastnat material. Ett ögonblick av ouppmärksamhet när du använder häcktrimmern kan leda till allvarlig personskada.
- Bär häckskäraren vid handtaget med klippbladet stoppat. När du transporterar eller förvarar häcktrimmern, ska du alltid montera skäret. Korrekt hantering av häcktrimmern kommer att minska möjliga personsador från skärbladen.
- Håll bara elverktyget på isolerade gripytor eftersom skärbladet kan komma i kontakt med dolda kablar eller sin egen sladd. Skärblad som kommer i kontakt med en "spänningssladd" kan göra att utsatta metalldelar i elverktyget "spänning" och kan ge föraren en elektrisk stöt.
- Använd INTE häcktrimmern när du är trött eller om din synlighet är begränsad. Använd inte trimmern på natten eller i reducerat ljus.
- Håll kabeln borta från skärområdet. Under drift kan kabeln vara dold i buskar och kan av misstag skäras av bladet.
- Använd INTE häcktrimmern om handtagsskyddet är skadat.

- Håll skärverktygen skarpa och rena. Korrekt underhållna skärverktyg med skarpa utrullningskanter är mindre benägna att binda och är lättare att kontrollera.
- Använd endast tillbehör som rekommenderas av tillverkaren för ditt verktyg. Tillbehör som kan vara lämpliga för ett verktyg kan skapa risk för skador när de används på ett annat verktyg.

Service:

- Verktygsservice får endast utföras av kvalificerad reparatör. Service eller underhåll som utförs av okvalificerad personal kan leda till risk för personsador.

OM HÄCKSAX

⚠ DANGER

Om häcktrimmerbladet fastnar eller fastnar i en elektrisk sladd eller ledningar, RÖR INTE BLADET FÖR NÅGON SKÄL! DET KAN ELEKTRISKT leva och orsaka allvarliga eller dödliga skador! Släpp eller släpp trimmern på det snabbaste, säkraste sättet. Koppla om möjligt batteriet från verktyget. Om det inte är möjligt, ring en elektriker, elentreprenör eller elföretaget för hjälp. Underlåtenhet att följa denna farvarning kommer att orsaka allvarlig personskada och möjlig död. Håll händerna borta från bladet

DANGER

För att undvika allvarliga skador, risk för brand, explosion och fara för elektrisk stöt eller elektrisk stöt:

- Testa INTE laddaren med ledande material. Laddningsterminalerna håller 120V.
- Om batteripacket är sprucket eller skadat, sätt INTE i laddaren eller verktyget. Byt ut batteriet.
- Ladda INTE batteripaketet med någon annan typ av laddare.
- Låt INTE vätska inne i laddaren.
- Försök INTE använda laddaren för något annat ändamål än vad som presenteras i denna manual.

VARNING

Om batterivätskan får ögonen, spola genast med rent vatten i minst 15 minuter. Sök omedelbar läkare. Ladda inte batteriet i regn eller under våta förhållanden. Sänk inte ner verktyget, batteriet eller laddaren i vatten eller annan vätska.

- Låt inte batteriet eller laddaren överhettas. Om de är varma, låt dem svalna. Ladda bara vid rumstemperatur.
- Täck inte ventilationsspåren på toppen av laddaren. Ställ inte laddaren på en mjuk yta. Håll laddarens ventilationsspår tydliga.
- Låt inte små metallföremål eller material som stålull, aluminiumfolie eller andra främmande partiklar in i laddarkaviteten.
- Koppla ur laddaren innan rengöring och när det inte finns något batteripaket i hållrummet.
- Lämna inte batteriladdaren eller batteriet i solen eller i en varm miljö under längre tid. Förvara vid normal rumstemperatur.
- Försök inte ansluta två laddare till varandra.
- Batteripackcellerna kan utveckla en liten läcka under extrem användning eller temperaturförhållanden. Om den yttre tätningen är trasig och läckaget kommer på din hud:
 - 1a. Tvätta omedelbart med tvål och vatten.
 - 1b. Neutralisera med citronsaft, vinäger eller annan mild syra.

VARNING (PROPOSITION 65)

Vissa damm som skapas genom strömledning, sågning, slipning, borrarning och annan byggverksamhet innehåller kemikalier som är kända för att orsaka cancer, fosterskador eller andra reproduktionsskador.

- Några exempel på dessa kemikalier är:
- Bly från blybaserade färger
- Kristallin kiseldioxid från tegel och cement och andra murprodukter Arsenik och krom från kemiskt behandlat virke.

Din risk för exponering för dessa kemikalier varierar beroende på hur ofta du utför den här typen av arbete. För att minska din exponering för dessa kemikalier, arbeta i ett väl ventilerat område och arbeta med godkänd säkerhetsutrustning, till exempel dammmasker som är speciellt utformade för att filtrera ut mikroskopiska partiklar.







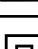



VARNING

LÄS OCH FÖRSTA ALLA ANVISNINGAR. Underlåtenhet att följa säkerhetsreglerna nedan kan leda till elektriska stötar, brand och / eller personskadorna:

- Arsenik och krom från kemiskt behandlat virke.
- Placera inte laddaren där nätsladden kan trampas på, snubblas eller skadas.
- Ett batteridrivet verktyg med integrerade batterier eller ett separat batteripaket får endast laddas med den angivna laddaren för batteriet. En laddare som kan vara lämplig för en batteritype kan skapa brandrisk när den används med ett annat batteri.
- Använd endast ett batteridrivet verktyg med det specifika batteriet. Användning av andra batterier kan skapa risk för brand.

SYMBOLER

Vissa av följande symboler kan användas på den här produkten. Studera dem och lär dig deras betydelse. Korrekt tolkning av dessa symboler gör att du kan använda produkten bättre och säkrare.

SYMBOLER	MENANDE
	Säkerhetsvarning. Försiktighetsåtgärder som innebär din säkerhet.
	Read The Operator's Manual. För att minska risken för skada måste användaren läsa och förstå bruksanvisningen innan du använder den här produkten.
	Eye and Hearing Protection. Bär alltid ögonskydd med sidoskydd märkta för att uppfylla ANSI 287 .1 tillsammans med Hörselskydd när du använder denna utrustning.
	Wet Conditions Alert. Utsätt inte för regn eller användning på fuktiga platser
	Ricochet. Kastade föremål kan rikoschocka och leda till personskada eller materiella skador
	Vasst blad. Håll händerna borta från vassa, rörliga blad
	Class II Construction. Dubbelisolerad konstruktion.
	Handskar. Använd halkfria, tunga handskar.
V	Voltage - Spänning
A	Amps- Nuvarande
Hz	Hertz - Frekvens (cycles per second)
W	Watts - Kraft
Min	Minutes- Tid
~	Alternating Current - Typ av ström
	Direct Current - Strömens typ eller karakteristik
	Keep Bystanders Away. Håll alla åskådare minst 50 fot borta.

Följande signalord och betydelse är avsedda att förklara risknivån förknippad med denna produkt.

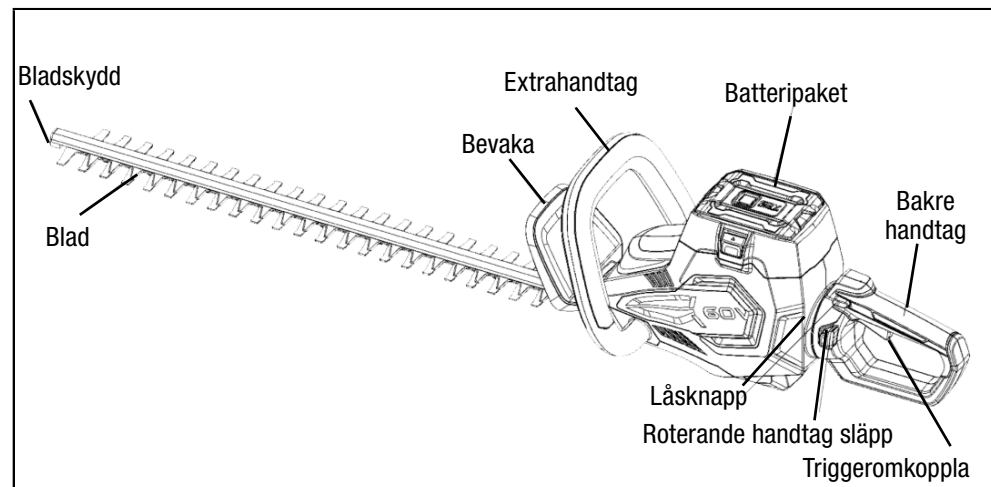
! FARA

FARA anger en farlig situation som, om den inte undviks, kommer att leda till dödsfall eller allvarlig personskada.

! VARNING

VARNING betecknar en farlig situation som, om den inte undviks, kan leda till dödsfall eller allvarliga personskador.

VETA DIN HÄCKSAX



The safe use of this product requires an understanding of the information on the product and in this operator's manual as well as a knowledge of the project you are attempting. Before use of this product, familiarize yourself with all operating features and safety rules.

Skydda

Skyddet hjälper till att avleda flisar eller annat skräp bort från operatörens händer och ögon.

Triggeromkoppla

Spärrknappen måste tryckas in innan avtryckaren bryts ned. När avbrytaren är aktiverad kan låsningsskappen släppas. När avtryckaren släpps återgår låsningsskappen automatiskt till låspositionen.

! FÖRSIKTIGHET

FÖRSIKTIGHET betecknar en farlig situation som, om den inte undviks, kan leda till mindre eller måttliga personskador.

OBSERVERA

OBSERVERA betecknar information som anses viktig, men inte är farerelaterad (t.ex. meddelanden som avser egendomsskada).

MONTERINGSANVISNINGAR

! FÖRSIKTIGHET

Batteriet behöver laddas helt innan det används första gången.

VIKTIG! Batteripaketet (BP8302) laddas inte när det köps. Innan du använder häckaren för första gången ska du placera batteriet i batteriladdaren och ladda. Se till att läsa alla säkerhetsåtgärder och följ instruktionerna i avsnittet Batteriladdare.

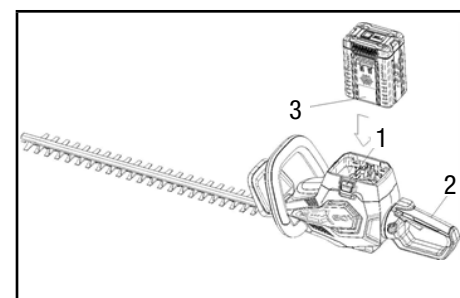
För att installera batteriet :

1. Rikta in batteriets tunga (3) mot hålrummet i handtagshuset.
2. Ta tag i det bakre handtaget (2) ordentligt.
3. Tryck in batteripaketet i handtaget tills spärren låses på plats.

OBSERVERA: Batteripaketet sitter tätt i handtaget för att förhindra oavsiktlig lossning. Det kan krävas ett starkt drag för att ta bort.

Ta bort batteriet :

- Tryck på batteriets frigöringsknapp (1) och håll den intryckt.
- Ta tag i det bakre handtaget (2) ordentligt. Dra ut batteriet ur handtaget.



! FÖRSIKTIGHET

VIKTIG! Ta inte bort knivenheten såvida den inte behöver skärpa, räta ut eller byta ut. Ta den till en kvalificerad person för reparation.

! VARNING

Följ dessa anvisningar för att undvika skador och för att minska risken för elektrisk stöt eller brand:

- Arsenik och krom från kemiskt behandlat virke.
- Byt ut batteriet eller laddaren omedelbart om batterilådan eller laddkabeln är skadad.
- Kontrollera att omkopplaren är i OFF-läge innan du sätter i eller tar bort batteripaketet.
- Kontrollera att batteripaketet har tagits bort och att omkopplaren är i OFF-läge innan du inspekterar, justerar eller utför underhåll på någon del av säkringen.
- Läs, förstå och följ instruktionerna i avsnittet Laddningsförfarande.

UPPACKNING

- Denna produkt kräver ingen montering.
- Ta försiktigt bort produkten och alla tillbehör från lådan. Se till att alla artiklar som finns i förpackningslistan ingår.
- Kontrollera produkten noggrant för att se till att inga skador eller skador inträffade under transporten.
- Kassera inte förpackningsmaterialet förrän du noggrant har inspekterat och använt produkten på tillfredsställande sätt.

⚠ VARNING**För att undvika personskador:**

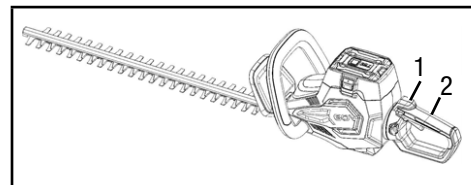
- Hantera bladet försiktigt.
- Placera inte fingrarna eller handen mellan skårorna i bladet eller i något läge där de kan klämmas fast eller klippas.
- Använd aldrig bladet eller häcksjäraren såvida inte batteripaketet har tagits bort.
- Använd inte om knivenheten är skadad eller böjd. Ta till en kvalificerad person för att räta ut, byta ut eller skärpa.
- Håll alltid båda händerna på häcktrimmerhandtagen för att förhindra att din hand rör vid bladet.

BRUKSANVISNINGAR**PA / AV VIDJA**

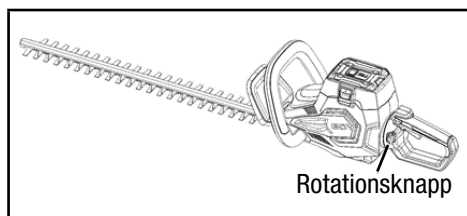
- Häcktrimmern har en låsningsknapp och omkopplare.
- Skjut in spärrknappen (1) i handtaget och håll in den.
- Tryck på avtryckaren (2). Häcktrimmern kommer att slås PÅ.
- Släpp låsningsknappen. Häcktrimmern kommer att förbli på så länge som avtryckaren är aktiverad.
- Häcktrimmern stannar om du släpper avtryckarhandtaget.

VIKTIG: Om häcktrimmern av misstag tappas stängs häcktrimmern av och bladet kommer att stoppa efter flera sekunder. Häcktrimmern låses sedan AV igen.

Rengöring av bladet regelbundet och smörjning av det med jämna mellanrum (t.ex. 1 timme per operation) håller bladet skarpt och gör arbetet mer effektivt.

**ANVÄNDNING AV DET ROTERANDE BAKRE HANDTAGET**

- Placera häcktrimmern på en plan och jämn yta.
- Se till att du släppte avtryckaren.
- Skjut rotationsknappen och börja vrida det bakre handtaget. Släpp rotationsknappen och vrid handtaget 90 grader till endera sidan tills det klickar på plats och knappen låses fast.
- För att vrida handtaget tillbaka till mitten, skjut rotationsknappen igen, vrid handtaget något, släpp rotationsknappen och fortsätt vrid handtaget tills det låses på plats.

**BATTERILADDARE**

SPECIFIKATIONER

Laddare: C8360/C8362

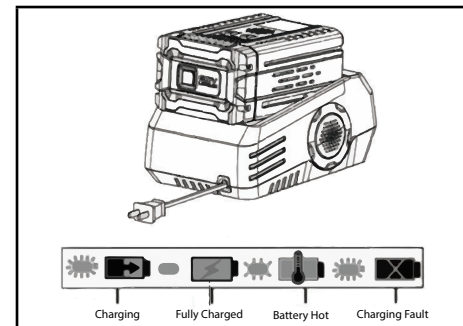
Inmatning: 120-240VAC, 50/60Hz, Max.3A

utmatning: 63VDC. Max.4.5A

tyngd: 2.6 lbs (1.2kg)

LADDNINGSFÖRFARANDE

Observera: Batteriet levereras inte fulladdat. Det rekommenderas att ladda helt före första användningen för att säkerställa att maximal körningstid kan uppnås. Detta litiumjonbatteri kommer inte att utveckla ett minne och kan laddas när som helst.



LED STATUS	DESCRIPTION
Blinkning Grön	Laddning
Solid Grön	Fulladdad
Solid Röd	Stå vid makten
Blinkning Röd(quick)	Laddningsfel
Blinkning Röd (slow)	Över temperatur

Låg spänning laddning:

Om batteriet har lagrats med lite till ingen laddning under en lång tid, laddaren går i återställningsläge, vilket tar mer tid att ladda batteriet helt. Detta kommer att förbättra batteriets livslängd. När den är fulladdad återgår nästa laddning till standardladdning.

Ett helt urladdat batteri kräver den tilldelade tiden som anges i batterihandboken. Anslut laddaren till ett vägguttag.

Sätt i batteriet i laddaren.

Detta är en diagnostisk laddare. Laddarens LED-lampor tänds i specifik ordning för att kommunicera aktuell batteristatus

Felaktig anmärkning:

När batteriet sätts in i laddaren och statusindikatorn blinkar RÖD, ta bort batteriet från laddaren i 1 minut och sätt sedan in den igen.. Om status-LED blinkar GRÖN, ladda batteriet ordentligt. Om statuslampan fortfarande blinkar RÖD, ta bort batteriet och koppla ur laddaren i 1 minut. Koppla in laddaren efter 1 minut och sätt i batteriet igen. Om status-LED blinkar GRÖN, ladda batteriet ordentligt. Om statuslampan fortfarande blinkar RÖD, är batteriet defekt och måste bytas ut.

Kontrollera laddningen

Om batteriet inte laddas ordentligt:

Kontrollera strömmen vid eluttaget med ett annat verktyg. Se till att uttaget inte är avstängt.

Kontrollera att laddarkontakterna inte har kortslutits med skräp eller främmande material.

Om lufttemperaturen är över 104 ° F eller under 45 ° F, flytta laddaren och batteripaketet till en rumstemperaturplats.

⚠ VARNING

Om batteriet sätts in i laddaren när det är varmt eller varmt kan lampan CHARGING LED på laddaren tändas och tänds RÖD. Om detta inträffar låt batteriet svalna inuti laddaren i upp till 30 minuter. Laddningen bör starta automatiskt när batteriet har svalnat.

LADDARE MONTERING

1. Denna laddare kan installeras hängande på en vägg med två # 8 skruvar (ingår inte).
2. Leta reda på placeringen för laddaren som ska monteras på väggen.
3. Använd fyra skruvar (ingår ej) om du fäster på träbultar.
4. Borra två hål på mitten 5,5 tum. Bortsett från att se till att de är vertikalt i linje.
5. Använd väggankare (ingår ej) och skruvar för att fästa laddaren på väggen vid fästning på gipsvägg.

Observera: Om batteriet och laddaren inte kommer att användas på länge tar du bort batteriet från laddaren och drar ut nätkontakten.

UNDERHÅLL

VARNING

För att undvika personskador och risken för brand och elektriska stötar, ta bort batteripaketet innan du justerar, inspekterar och rengör fläkten.

Städning

Ta bort batteriet.

- Borsta eller blåsa dammtunna skräp ur luftventilerna med tryckluft eller vakuum. Håll luftventilerna fria från hinder, sågspån och flis. Spraya, tvätta eller fördjupa luftventilerna i vatten.
- Torka av höljet och plastkomponenterna med en fuktig, mjuk trasa. Använd inte starka lösningsmedel eller tvättmedel på plasthuset eller plastkomponenterna. Vissa hushållsstädare kan orsaka skador och orsaka chockrisk.

Batteripaket

- Förvara batteriet helt laddat
- När lampan på laddaren lyser grönt tar du bort batteriet från laddaren och kopplar ur laddaren från uttaget.
- Förvara inte batteriet på verktyget.
- Efter laddning kan batteriet förvaras i laddaren så länge laddaren inte är ansluten.

Laddareunderhåll

Håll laddaren ren och fri från skräp. Do not allow foreign material to get into the recessed cavity or onto the contacts. Torka av laddaren med en torr, mjuk trasa. Använd inte lösningsmedel eller vatten och placera inte laddaren under våta förhållanden. Koppla ur laddaren när det inte finns något batteripaket i den.

Ladda batterierna helt innan de placeras i förvaring.

Förvara laddaren vid normal rumstemperatur. Förvara den inte på överdriven värme. Använd inte laddaren i direkt solljus. Ladda upp vid rumstemperatur mellan 45 °F och 104 °F (7°C och 40 °C). Om batteripaketet är varmt, låt det svalna inuti laddaren. Batteriet börjar laddas när det har återgått till rumstemperatur.

MILJÖSÄKERT BATTERIERFÖRSLAG

VARNING

Följande giftiga och frätande material finns i batterierna som används i denna fläkt. Batteripaket: Litium-Ion, ett giftigt material..

VARNING

Alla giftiga material måste kasseras på ett specificerat sätt för att förhindra kontaminering av miljön. Innan du bortskaffar skadade eller slitna litium-ion-batteripaket, kontakta ditt lokala avfallsföretag eller den lokala miljöskyddsbyrån för information och specifika instruktioner. Ta batterierna till ett lokalt återvinnings- och / eller bortskaffningscenter, certifierat för litiumjonborttagning.

VARNING

Om batteripaketet spricker eller går sönder, med eller utan läckor, ladda inte upp det och använd det inte. Ta bort det och ersätt det med ett nytt batteri.

PRÖV INTE ATT REPARERA DET

För att undvika skador och risk för brand, explosion eller elektrisk stöt och för att undvika skador på miljön:

- Täck batteriets plintar med tung tejp
- Försök INTE ta bort eller förstöra någon av batteriets komponenter.
- Försök INTE öppna batteriet.
- Om en läcka utvecklas är de frigjorda elektrolyterna frätande och giftiga. Få INTE lösningen i ögonen eller på huden och svälj inte den.
- Placera INTE dessa batterier i ditt vanliga hushållsavfall.
- Förbränna INTE.
- Placera INTE dem där de kommer att bli en del av någon deponi för kommunalt fast avfallsström.
- Ta dem till ett certifierat återvinnings- eller bortskaffningscenter.

UNDERHÅLL

VARNING

För att undvika risk för brand, elektrisk stöt eller elektroktion:

- Använd inte en fuktig trasa eller tvättmedel på batteriet eller batteriladdaren.
- Ta alltid bort batteriet innan du rengör, inspekterar eller utför något underhåll på häcktrimmeren.

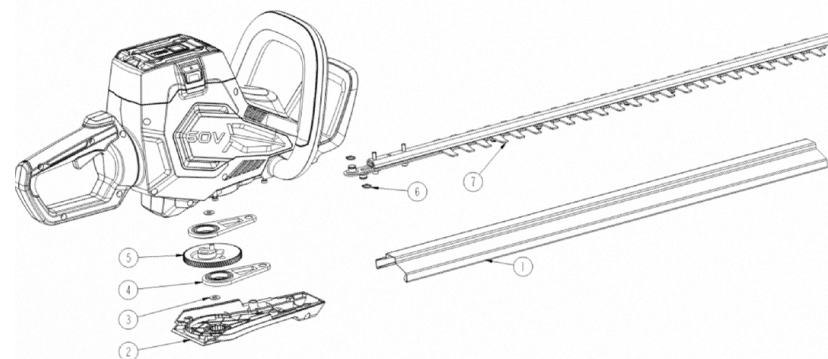
Städning

1. Torka av utsidan av häcktrimmeren med en torr, mjuk trasa. Slang inte ner eller tvätt med vatten.
2. Skrapa skyddet för att ta bort torkade urklipp och lera.
3. Borsta eller blåsa ut damm, skräp och gräsklipp ur lufthålen. Håll dem fria från hinder.

FELSÖKNING

PROBLEM	MÖJLIG ORSAK	LÖSNING
Motorn startar inte när omkopplartrigern trycks ned.	Batteriet är inte säkert.	För att säkra batteripaketet, se till att spärrhakarna på toppen av batteripaketet fastnar på plats.
	Batteriet laddas inte.	Ladda batteriet enligt instruktionerna som medföljer din modell.
Motor går men skärblad rör sig inte.	Skären är skadad. Använd inte häcktrimmer.	Ring teknisk service.
Häcktrimmer röker under drift.	Skären är skadad. Använd inte häcktrimmer.	Ring teknisk service..
Motor brummar, bladen inte rör sig.	Avfall eller annat kan fastna i knivarna.	Ta bort batteriet, rensa bort skräp från bladen.
Bladhastigheten är lång och arbetseffektiviteten är låg	Damm och trädmassa leder till att friktionsmotståndet för bladet ökade	Rengör bladet och smörj bladet regelbundet (t.ex. 1 timme per drift)
LED-indikator för verktygsblixten 1-19 gånger, motorn startar inte	Fel på motorstyrenheten, eller över temperatur eller låg batteri, eller överbelastning etc.	<ol style="list-style-type: none"> Släpp avtryckaren och starta om maskinen efter 3-5 sekunder; or Avbryt operationen och kyla verktyget och batteriet; or Ladda batteriet

EXPLODERAD VISNING



Item #	Part #	Description	QTY
1	2806030034	Bladskydd	1
2	2806030017	Växellådans lock	1
3	2806030035	Packning	2
4	2806020009	Svängstång	2
5	2806030013	Big Gear	1
6	301100125	E Ring	2
7	2806020010	Bladkomponent	1

WARRANTY PAGE

Returns

We offer a no quibble 30 day money back guarantee for all goods shipped correctly that are not required. The buyer will be responsible for the return postage and packing charges and any original shipping charges are non refundable. Goods should be returned in a condition suitable for resale and where possible should be returned in their original packaging.

Goods which are manufactured specifically for an order and shipped correctly are not returnable.

If the wrong item is received it is the responsibility of the buyer to notify us in writing within 7 days of receipt. Arrangements will then be made for the incorrect item to be collected and a replacement item to be dispatched

Warranty

Warranty Qualifications

We at Warrior understand the importance of warranty for service & repair, we offer a standard 3 Year (Tools Only) & 1 year (Battery Only) warranty without the need for registering your purchase.

Please view the limitations below and read the full T&C's about the warranty offered on a particular product.

All we require is the either a copy of the original proof of purchase or an invoice supplied from retailer at the time of purchase to enable the claim to be raised. Please keep your proof of purchase safe for the duration of your terms, in the unfortunate event you need our technical support we will ask for this to be provided on each claim, NO proof of purchase any warranty claim will be delayed or rejected.

Transportation charges on any product or part(s) submitted for repair or replacement under this warranty are the sole responsibility of the purchaser. This warranty only applies to the original purchaser and is not transferable.

Do Not Return the Unit to the Place of Purchase

Contact Technical Support and we will troubleshoot any issue via phone or e-mail. If the problem or issue is not resolved by this method, we will, at its option, authorise an evaluation, repair or replacement of the defective product, part(s) or component at our own Service Centre workshop. If and when an product has to be replaced in most cases it will be on a like for like basis not old for new. We will provide you with a case number for warranty service and this can be monitored through your login account. Please keep it for future reference. Repairs or replacements without prior authorization, or at an unauthorized repair facility, will not be covered by this warranty. We do have warranty exclusions for customers outside the United Kingdom please see our full T&C's.

Warranty Exclusions

THIS WARRANTY DOES NOT COVER THE FOLLOWING:

NORMAL WEAR

Your product needs periodic parts and service to perform well. This warranty does not cover repair when normal use has exhausted the life of a part or the equipment as a whole.

INSTALLATION, USE AND MAINTENANCE

This warranty will be voided and (or) not apply to parts or labour if your product is deemed to have been misused, neglected, involved in an accident, abused, overloaded beyond the limits, modified, installed improperly or connected incorrectly to any electrical component or system for battery charging. Normal period maintenance is not covered by this warranty.

Other Exclusions

This warranty excludes:

- cosmetic defects such as paint, decals, stickers or accessory tools
- service parts including blades, string, chains, bars or bags
- any electrical component other than main control unit like fuses, connectors, dials, knobs or levers.
- failures due to acts of God and other force majeure events beyond the manufacturer's control
- problems caused by parts that are not original
- alteration or modification(s) made by any party other than the manufacturer
- any third party electrical equipment
- All batteries supplied Over 1 Year Old.

Limits of Implied Warranty and Consequential Damage

BPE Holdings (Warrior Eco Power Equipment) disclaims any obligation to cover any loss of time, use of this product, freight, or any incidental or consequential claim costs by anyone using this product.

THIS WARRANTY IS IN LIEU OF ALL OTHER WARRANTIES, EXPRESS OR IMPLIED, INCLUDING WARRANTIES OF MERCHANTABILITY OR FITNESS FOR A PARTICULAR PURPOSE.

A unit provided as an exchange will be subject to the warranty of the original unit. The length of the warranty governing the exchanged unit will remain calculated by reference to the purchase date of the original unit. This warranty gives you certain legal rights which may change from country to country. Your country may also have other rights you may be entitled to that are not listed within this warranty.

EC Declaration of Conformity

Supplier: Warrior Eco Power Equipment, Unit 17/18A Bradley Hall Trad Est, Standish, Wigan, WN6 0XQ, United Kingdom

Certificate No.	190400193/195HZH-001
------------------------	----------------------

Equipment	60V CORDLESS HEDGE TRIMMER
Model	WEP8061HT
Serial Number	

In accordance with the following directives:

Directive 2006/42/EC	The Machinery Directive
Directive 2011/65/EU & 2015/863	The Restriction of use of Certain Hazardous Substances in Electrical and Electronic Equipment
Directive 2014/30/EU	The Electromagnetic Compatibility Directive and its Amendments 92/31/EEC and 98/13/EC

In accordance with article(s) and standards:

EN 50636-2-100:2014,	EN 55014-1:2017	EN 62321-2:2014
EN 603351:2012+A11:2014+A13:2017	EN 55014-2:2015	EN 62321-3:2014
EN 60745-1:2009+A11:2010	EN 62233:2008	
EN 60745-2-13:2009+A1:2010	EN 62321-1:2013	

I hereby declare that the equipment named above has been designed and manufactured to comply with relevant sections of the above referenced specifications. The products comply with the essential requirements of the relevant directives. This certificate is only valid for the product(s) and configuration described in conjunction with details test data and with all applicable legal requirements of this product.

X Paul Bimson

Paul Bimson
Technical Manager

Date:	10/03/2020 15:28
Issuing Country:	United Kingdom



Winch Solutions Ltd
Unit 17/18 Bradley Hall Trading Estate
Bradley Lane
Standish
Wigan
GREATER MANCHESTER
UK
WN6 0XQ