

ENGLISH

DEUTSCH

FRANÇAIS

SVENSKA



CORDLESS CHAINSAW

SAVE THESE INSTRUCTIONS. This manual contains important safety precautions which should be read and understood before operating the product. Failure to do so could result in serious injury. This manual should remain with the product.

Specifications, descriptions and illustrations in this manual are as accurate as known at the time of publication, but are subject to change without notice.

PRODUCT SPECIFICATIONS

Cordless Chainsaw	
Type	Cordless battery-operated
Voltage	60Vdc
Battery Pack	BP8302
Guide bar	16" Bar: AP16-56-507P/ Kangxin; 160SDEA041/ Oregon; M1431657-1041TL/ Trilink
Saw chain	16" Chain: 3/8.050X56DL/Kangxin; 91PX057/ Oregon; CL14357TL/ Trilink

GENERAL SAFETY RULES

WARNING

Read all safety warnings and instructions. Failure to follow the warnings and instructions in this manual may result in injury to people, damage to property and/or serious injury/death

Save all warnings and instructions for future reference.

The term "power tool" in the warnings refers to your mains-operated (corded) power tool or battery-operated (cordless) power tool.

1) Work area safety

- a) Keep work area clean, tidy and well lit. Cluttered or dark areas invite accidents.
- b) Do not operate power tools in explosive atmospheres, such as in the presence of flammable liquids, gases or dust. Power tools create sparks which may ignite the dust or fumes.
- c) Keep children and bystanders away while operating a power tool. Distractions can cause you to lose control.

2) Electrical safety

- a) Power tool plugs must match the outlet. Never modify the plug in any way. Do not use any adapter plugs with earthed (grounded) power tools. Unmodified plugs and matching outlets will reduce risk of electric shock.
- b) Avoid body contact with earthed or grounded surfaces such as pipes, radiators, ranges and refrigerators. There is an increased risk of electric shock if your body is earthed or grounded.
- c) Do not expose or use power tools in wet conditions including rain or snow. Water or dampness entering a power tool will increase the risk of electric shock.
- d) Do not abuse the cord (Corded Only). Never use the cord for carrying, pulling or unplugging the power tool. Keep cord away from heat, oil, sharp edges or moving parts at all times.

Damaged or entangled cords increase the risk of electric shock.

- e) When operating a power tool outdoors, use an extension cord fully un-raveled suitable for outdoor use. Cords or extension suitable for outdoor use reduces the risk of electric shock.

- f) If operating a power tool in a damp location is unavoidable, use a residual current device (RCD) protected supply. Use of an RCD reduces the risk of electric shock.

3) Personal safety

- a) Stay alert, watch what you are doing and use common sense when operating a power tool. Do not use a power tool while you are tired or under the influence of drugs, alcohol or medication. A moment of inattention while operating power tools may result in serious personal injury or death.

- b) Use personal protective equipment (PPE). Always wear eye protection. Protective equipment such as dust mask, non-skid safety shoes, hard hat, or ear protection used for appropriate conditions will reduce personal injuries.

- c) Prevent unintentional starting. Ensure the brake switch is in the off-position before connecting to power source and/or battery pack, picking up or carrying the tool. Carrying power tools with your finger on the switch will cause the tool to operate and invites accidents and possible injuries.

- d) Remove any adjusting key or wrench before turning the power tool on. A wrench or a key left attached to a rotating part of the power tool may result in personal injury.

- e) Do not overreach or ever try to operate 1 handed. Keep proper footing and balance at all times, this enables better control of the power tool in unexpected situations.

- f) Dress properly. Do not wear loose clothing or jewellery. Keep your hair, clothing and gloves away from moving parts. Loose clothes, jewellery or long hair can be caught in moving parts and cause personal injury.

- g) If devices are provided for the connection of dust extraction and collection facilities, ensure these are connected and properly used. Use of dust collection can reduce dust-related hazards.

4) Power tool use and care

- a) Do not force the power tool. Use the correct power tool for your application. The correct power tool will do the job better and safer at the rate for which it was designed for.

- b) Do not use the power tool if the switch does not turn it on and off. Any power tool that cannot be controlled with the switch is dangerous and must be repaired or replaced.

c) Disconnect the plug from the power source and/or the battery pack from the power tool before making any adjustments, changing accessories, or storing power tools. Such preventive safety measures reduce the risk of starting the power tool accidentally.

d) Store idle power tools out of the reach of children and do not allow persons unfamiliar with the power tool or these instructions to operate the power tool.

Power tools are dangerous in the hands of untrained users and **MUST** never be used by any under 16 year's old.

e) Inspect and Maintain power tools. Check for misalignment or binding of moving parts, breakage of parts and any other condition that may affect the power tools operation. If damaged, have the power tool repaired at a local service centre before use. Many accidents are caused by poorly maintained power tools.

f) Keep cutting tools sharp and clean. Properly maintained cutting tools with sharp cutting edges are less likely to bind and are easier to control.

g) Use the power tool, accessories and tool bits etc., in accordance with these instructions and in the manner intended for the particular type of power tool, taking into account the working conditions and the work to be performed. Use of the power tool for operations different from those intended could result in a hazardous situation.

5) Battery tool use and care

a) Recharge only with the charger specified by the manufacturer. A charger that is suitable for one type of battery pack may create a risk of fire when used with another battery pack.

b) Use power tools only with specifically designated battery packs. Use of any other battery packs will result in damage to tool and risk of injury and fire.

c) When battery pack is not in use, keep it away from any metal objects, like paper clips, coins, keys, nails, screws or other small metal objects, that can make a connection from one terminal to another. Shorting the battery terminals together may cause burns, fires and battery to discharge possible leaking fluid.

d) Under abusive conditions, liquid may be ejected from the battery; avoid contact. If contact accidentally occurs, flush with water. If liquid contacts eyes, additionally seek medical help immediately. Liquid ejected from the battery may cause irritation, burns or blindness.

6) Service

a) Have your power tool serviced by a qualified repair person using only identical replacement OEM parts. This will ensure that the safety of the power tool is maintained for years to come.

Chain saw safety warnings

1. Keep all body parts away from the chainsaw when the blade/chain is rotating. Before you start the chain saw, make sure the saw chain is not in contact with anything. A moment of distraction/inattention while operating chain saws may cause entanglement of your clothing or body parts causing serious injury or death.

2. Always hold the chain saw with your strongest hand on the rear handle and your weakest hand on the front handle. Holding the chain saw with a reversed hand configuration increases the risk of personal injury and should never be done.

3. Hold the power tool by insulated gripping surfaces only. Saw chains contacting a "live" wire may make exposed metal parts of the power tool "live" and could give the operator an electric shock.

4. Always wear safety glasses and ear protection. Further (PPE) protective equipment for head, hands, legs and feet is recommended. Adequate protective clothing will reduce personal injury by flying debris or accidental contact with the saw chain.

5. Do not operate a chain saw up or inside a tree. Operation of a chain saw while up in a tree may result in personal injury/death.

6. Always keep proper footing and operate the chain saw only when standing on fixed, secure and solid level surface. Slippery or unstable surfaces such as ladders may cause a loss of balance or control of the chain saw.

7. When cutting a trunks, logs that are under tension be alert for spring back (kickback). When the tension in the wood fibers is released the spring loaded tree may strike the operator and/or throw the chain saw out of control causing damage to the tool or serious injury.

8. Use extreme caution when cutting brush and saplings. The slender material may catch the saw chain and be whipped toward you or pull you off balance.

9. Carry the chain saw by the front handle with the chain saw switched off and/(or) battery disconnected and away from your body. When transporting or storing the chain saw always apply the guide bar cover. Proper handling of the chain saw will reduce the likelihood of accidental contact with the moving saw chain.

10. Follow instructions for lubricating, chain tensioning and changing accessories. Improperly tensioned or lubricated chain may either break or increase the chance for kickback.

11. Keep handles dry, clean, and free from oil and grease. Greasy, oily handles are slippery causing loss of control. Sharpen or replace chains regular.

12. Cut wood only. Do not use chain saw for purposes not intended. For example: do not use chain saw for cutting plastic, masonry or non-wood building materials. Use of the chain saw for operations different than intended will result in a hazardous situation.

Causes and operator prevention of kickback:

Kickback may occur when the nose or tip of the guide bar touches an object, or when the wood closes in and pinches the saw chain in the cut.

Tip contact in some cases may cause a sudden reverse reaction, kicking the guide bar up and back towards the operator.

Pinching the saw chain along the top of the guide bar may push the guide bar rapidly back towards the operator.

Either of these reactions may cause you to lose control of the saw which could result in serious personal injury/death. Do not rely exclusively upon the safety devices built into your saw. As a chain saw user, you should take several steps to keep your cutting jobs free from accident or injury by allowing the saw off area to fall freely.

Kickback is the result of tool misuse and/or incorrect operating procedures or conditions and can be avoided by taking proper precautions as given below:

-Maintain a firm grip, with thumbs and fingers encircling the chain saw handles, with both hands on the saw and position your body and arm to allow you to resist kickback forces. Kickback forces can be controlled by the operator, if proper precautions are taken. Do not let go of the chain saw.

-Do not overreach and do not cut above shoulder height. This helps prevent unintended tip contact and enables better control of the chain saw in unexpected situations.

-Only use replacement bars and chains specified by the manufacturer. Incorrect replacement bars and chains may cause chain breakage and/or kickback or damage to the tool.

-Follow the manufacturer's sharpening and maintenance instructions for the saw chain. Decreasing the depth gauge height can lead to increased kickback or personally injury.

FELLING A TREE

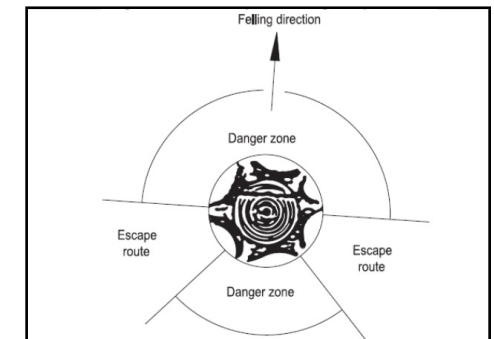
When bucking and felling operations are being performed by two or more persons at the same time, the felling operations should be separated from the bucking operation by a distance of at least twice the height of the tree being felled. Trees should not be felled in a manner that would endanger any person, strike any utility line or cause any property damage. If the tree does make accidentally contact with any utility line, the company should be notified immediately.

The chain saw operator should keep on the uphill side of the terrain as the tree is likely to roll or slide downhill after it is felled.

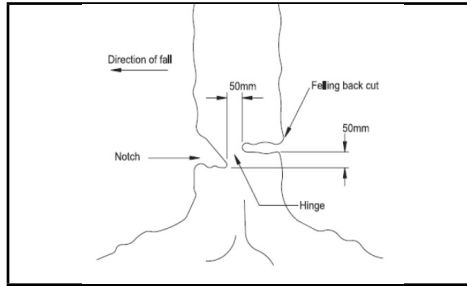
An escape path should be planned and cleared as necessary before cuts are started. The escape path should extend back and diagonally to the rear of the expected line of fall as illustrated.

Before felling is started, consider the natural lean of the tree, the location of larger branches and the wind direction to judge which way the tree will fall.

Remove dirt, stones, loose bark, nails, staples and wire from the tree.



-Only use replacement bars and chains specified by the manufacturer. Incorrect replacement bars and chains may cause chain breakage and/or kickback or damage to the tool.



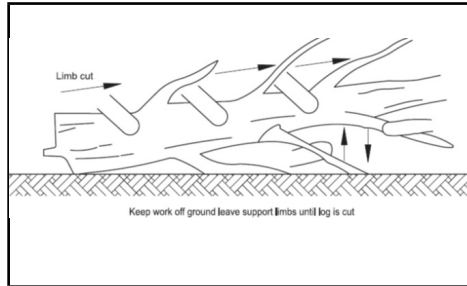
Notching Undercut – Make the notch 1/3 the diameter of the tree, perpendicular to the direction of fall as illustrated. Make the lower horizontal notching cut first. This will help to avoid pinching of either the saw chain or the guide bar when the second notch is being made.

Felling Back Cut – Make the felling back cut at least 2 inches (50.8 mm) higher than

the horizontal notching cut as illustrated. Keep the felling back cut parallel to the horizontal notching cut. Make the felling back cut so enough wood is left to act as a hinge. The hinge wood keeps the tree from twisting and falling in the wrong direction. Do not cut through the hinge. As the felling cut gets close to the hinge the tree should begin to fall. If there is any chance that the tree may not fall in the desired direction or it may rock back and bind the saw chain, stop cutting before the felling back cut is complete and use wedges of wood, plastic or aluminum to open the cut and drop the tree along the desired line of fall.

When the tree begins to fall remove the chain saw from the cut, stop the motor, put the chain saw down, then use the retreat path planned. Be alert for overhead limbs falling and watch your footing.

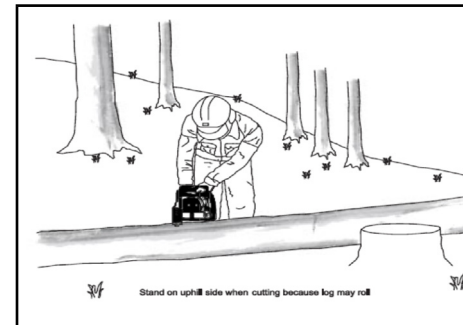
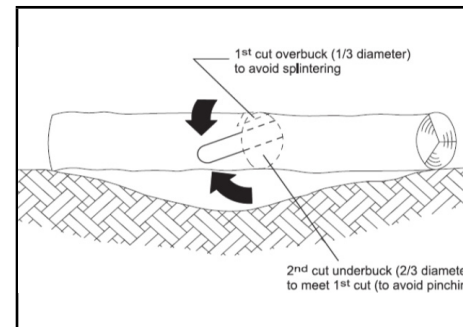
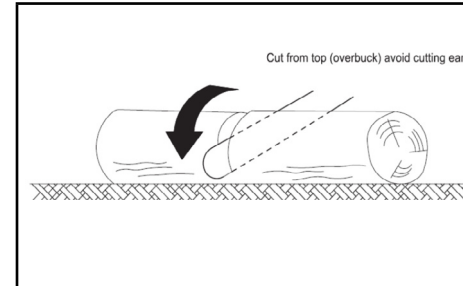
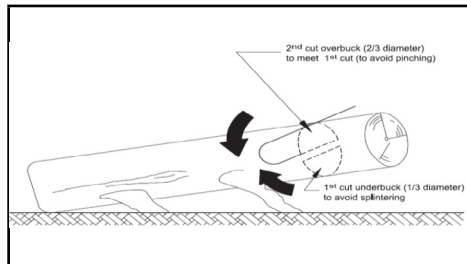
Limbing a Tree – Limbing is removing the branches from a fallen tree. When limbing, leave larger lower limbs to support the log off the ground. Remove the small limbs in one cut as illustrated. Branches under tension should be cut from the bottom up to avoid binding the chain saw.



Bucking a Log – Bucking is cutting a log into lengths. It is important to make sure your footing is firm and your weight is evenly distributed on both feet. When possible, the log should be raised and supported by the use of limbs, logs or chocks. Follow the simple directions for easy cutting.










When the log is supported along its entire length as illustrated, it is cut from the top (over buck).

When the log is supported on one end, as illustrated, cut 1/3 the diameter from the underside (under buck). Then make the finished cut by over bucking to meet the first cut. When the log is supported on both ends, as illustrated, cut 1/3 of that diameter from the top over buck. Then make the finished cut by under bucking the lower 2/3 to meet the first cut. When bucking on a slope always stand on the uphill side of the log, as illustrated. When “cutting through”, to maintain complete control release the cutting pressure near the end of the cut without relaxing your grip on the chain saw handles. Don't let the chain contact the ground. After completing the cut, wait for the saw chain to stop before you move the chain saw. Always stop the motor before moving from tree to tree.

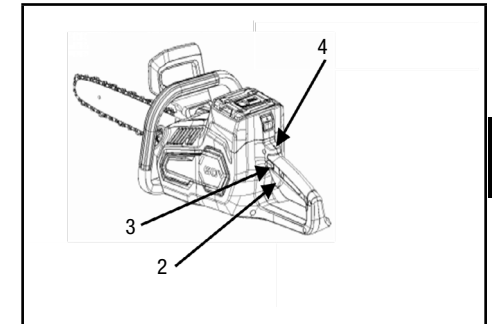
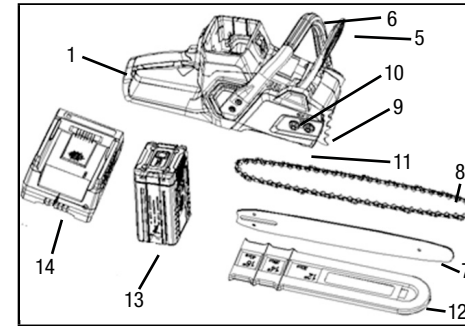


SYMBOLS

Some of the following symbols may be used on this product. Please study them and learn their meaning. Proper interpretation of these symbols will allow you to operate the product better and safer.

SYMBOL	MEANING
	Warning
	Read The Operator's Manual. Read and follow all safety precautions in the owner's manual. Failure to follow to instruction could result in serious injury to user
	Protective goggles/visor, protective helmet & hearing protection.
	Wet Conditions Alert. Do not expose to rain
	Contact of the guide bar tip with any object should be avoided
	Tip contact may cause the guide bar to move suddenly upward and backwards, which may cause serious injury to user.
	Do not use one handed when operating the chain saw. Always use two hands when operating the chain saw.
	Keep Bystanders Away
	Gloves. Wear non-slip, heavy duty gloves.

COMPONENTS LIST



1. Rear handle	2. On/Off switch
3. Lock-off button	4. LED indicator
5. hand guard	6. Front handle
7. Chain bar	8. Chain
9. Gripping teeth	10. Locking knob/Chain tension ring knob
11. Cover plate	12. Blade protection cover
13. Battery pack	14. Charger

SAFETY INSTRUCTION

⚠ WARNING

Always remove the battery from your machine for transporting, assemble or disassemble parts, making adjustments and sharpening, cleaning or when you do not use your tool. This will reduce the risk of unintentional starting of the machine which can cause serious injury.

- Do recharge the battery of your machine with the charger specified by the manufacturer. A charger that is suitable for a certain type of battery can cause a fire when used with another type.
- The battery should not be crushed. If crushed, it should not be heated or incinerated, Do not get it short-circuited or disassembled, or immersed in any liquid.
- Only a specific type of battery can be used with a cordless machine. Use of any other battery may cause a fire.
- When the battery is not in use, keep it away from metal objects such as paper clips, coins, keys, screws, nails or other objects that connect the contacts between them. The short-circuit may cause fire and / or explosion of it, and cause severe burns and injury.
- Avoid contact with fluid from a leaking battery because of overheating or other factors. If this happens, flush the affected area of the body with water, and in case your eyes are affected, seek medical attention immediately.
- Due to the heat generated during charging, the charger should not be used on a combustible surface or in a flammable environment.
- Never block the air slots of the charger.
- Never disassemble the machine by yourself. An incorrect reassembly can cause a risk of electric shock or fire.
- Unplug the charger when the machine is not in use or when you are cleaning the machine.
- Use only approved extension cords and in perfect condition.
- Make sure the ventilation of the place is enough when charging. Poor ventilation of the charging

can cause a temperature of excessive use, causing malfunction of the charger. The higher 40 ° C should be avoided.

- The charger cannot be put in closed cabinets or near heat sources such as radiators or sunlight because it will undergo increased heat which may cause a fire or damage
- the charger.
- If you do not use the battery for a long time, remove it from the charger and unplug it.
- Do not attach anything on the charger with rivets or screws. Rivets or screws may make ineffective on the insulating housing. An adhesive label is better, without blocking the ventilation slots.
- Charge only original batteries.
- If the power cord is damaged, make it replaced by an authorized service center to
- avoid risk of accidents.

⚠ WARNING

To avoid the risk of damage and injury, make sure the operating voltage of the charger, and never attempt to recharge non-rechargeable batteries.

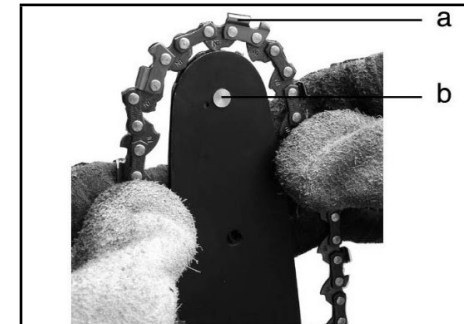
ASSEMBLY

⚠ WARNING

Do not connect the chain saw to mains before it is completely assembled. Always use gloves when handling the chain.

CHAIN AND CHAIN BAR ASSEMBLY

The chain MUST be so fitted over the guide bar that the cutting edges of the cutters (a) face in the direction that the chain runs (Usually forward)



Hold the guide bar with the nose upwards and place the saw chain so on sprocket of the guide bar engage into the chain links and the bottom sections of the drive links are situated in the groove of the bar. The chain is correctly tensioned when it is still possible to raise it by 3-4 mm. The direction of rotation of the saw chain is indicated by two arrows on the drive-sprocket cover.

- Unpack all parts carefully.

- Place the chain saw on any suitable flat surface with the motor facing downwards.

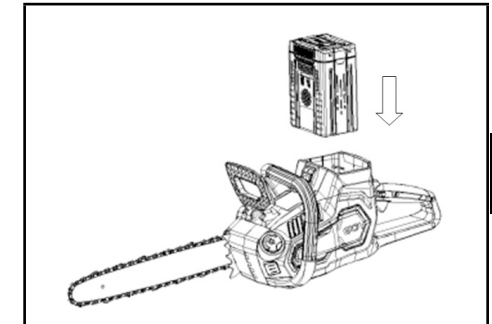
Fit the chain onto the drive sprocket and guide the chain bar. So that the fastening bolt and the two guide fins lit into the keyway of the chain bar. Check if all parts are seated properly and hold chain and chain bar in a level position.

- Fit cover. Check that arrows are still aligned

- Hand lighten locking knob on fastening bolt.

- Proceed to "tensioning chain".

Battery pack assembly



Put the battery as shown above, taking care to press any button to prevent accidental starting.

Lubrication

⚠ CAUTION

The chain saw is not supplied filled with oil. It is essential to fill the chain oil before use. Never operate the chain saw without chain oil or at an empty oil tank level, as this will result in over heating or extensive damage to the product.

Chain life and cutting capacity depend on optimum lubrication. Therefore, the chain is automatically oiled during operation via oil outlet.

Filling oil tank:

1. Set chain saw on any suitable surface with oil filler cap facing upward.
2. Clean area around the oil filler cap with cloth unscrew cap.
3. Do not remove filter insert during filling.
4. Add chain saw oil until reservoir is full.
5. Avoid dirt or debris entering oil tank, refit oil filler cap and tighten

CAUTION

To allow venting of the oil reservoir, small breather channels are provided between the oil filler cap and the strainer, to prevent leakage ensure machine is left in a horizontal position uppermost when not in use.

It is important to use only the recommended oil to avoid damage to the chain saw. Never use recycled/old oil. Use of a non approved oil will invalidate the warranty.

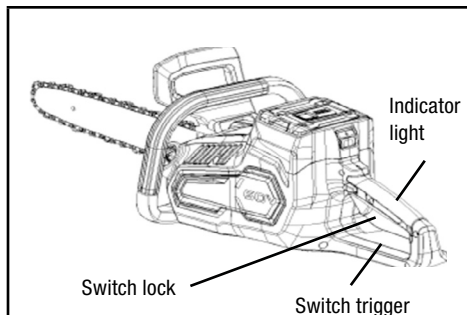
OPERATION

CAUTION

Check the voltage and current supply: The voltage and current supply must comply with the ratings on the type plate.

For switching on the machine, press the lock-off button, then fully press the on/off switch and hold in this position. The lock-off button can now be released. For switching off, release the on/off switch.

Do not stop chain saw after sawing by activating the front hand guard.



Kickback Safety Devices on This Saw

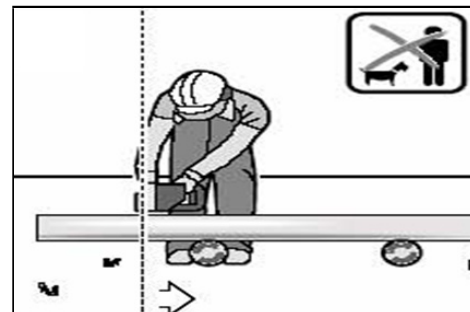
This saw has a low-kickback chain and reduced kickback chain bar. Both items reduce the chance of kickback. Kickback can still occur with this saw.

The following steps will reduce the risk of kickback.

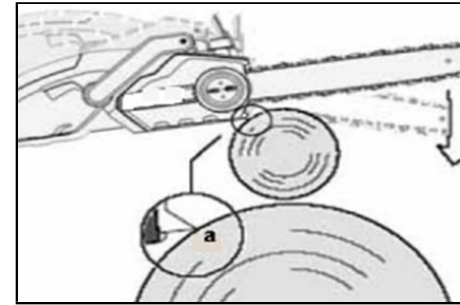
- Use both hands to grip saw while saw is running. Use firm grip. Thumbs and fingers must wrap around saw handles.
- Keep all safety items in place on saw. Make sure they work properly.
- Do not overreach or cut above shoulder height. • Keep solid footing and balance at all times.
- Stand slightly to left side of saw, this keeps your body from being in direct Line with chain.
- Do not let guide bar nose touch anything when chain is moving.
- Never try cutting through two logs at same time. Only cut one log at a time.
- Do not bury guide bar nose or try plunge cut (boring into wood using guide bar nose).
- Watch for shifting of wood or other forces that may pinch chain.
- Use extreme caution when reentering a previous cut.
- Use low-kickback chain and guide bar supplied with this chain saw.
- Never use dull or loose chain. Keep chain sharp with proper tension.

General behavior

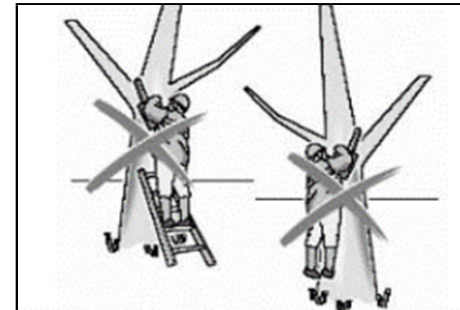
Use the chain saw only with secure footing. Hold the chain saw at the right-hand side of your body.



The chain must be running at full speed before it makes contact with the wood. Use the metal gripping teeth to secure the saw onto the wood before starting to cut. Use the gripping teeth as a leverage point "a" while cutting.



Do not operate the chain saw with arms fully extended or attempt to saw areas which are difficult to reach, or on a ladder. Never use the chain saw above shoulder height.



SAW MAINTENANCE AND KICKBACK SAFETY

Follow maintenance instructions in this manual. Proper cleaning of saw and chain and guide bar maintenance can reduce chances of kickback. Inspect and maintain saw after each use. This will increase the service life of your saw.

Note: Even with proper sharpening, risk of kickback can increase with each sharpening

MAINTENANCE AND STORAGE OF CHAIN SAW

- Remove the battery pack from chain saw, when not in use
- Before moving from one place to another before servicing
- Before changing accessories or attachments, such as saw chain and guard
- Inspect chain saw before and after each use. Check saw closely if guard or other part has been damaged.

- Check for any damage that may affect operator safety or operation of saw. Check for alignment or binding of moving parts. Check for broken or damaged parts. Do not use chain saw if damage affects safety or operation. Have damage repaired by authorized service center.
- Maintain chain saw with care. Never expose saw to rain.
- Keep chain sharp, clean, and lubricated for better and safer performance.
- Follow steps outlined in this manual to sharpen chain.
- Keep handles dry, clean, and free of oil and grease.
- Keep all screws and nuts tight.
- When servicing, use only identical replacement parts.
- When not in use, always store chain saw in a high or locked place, out of children's reach in a dry place

Replacing Saw Chain/chain bar

- Replace chain when cutters are too worn to sharpen or when chain breaks.
- Only use replacement chain noted in this manual.
- Always include new drive sprocket when replacing chain. This will maintain proper driving of chain.
- Inspect guide bar before sharpening chain. A worn or damaged guide bar is unsafe. A worn or damaged guide bar will damage chain. It will also make cutting harder.
- Fit the tensioning catch into the new bar by tightening the screw clockwise. The catch protrude must be fitted into the bar hole.

SHARPENING SAW CHAIN

WARNING

Remove battery pack from chain saw before servicing. Severe injury or death could occur from body contact with moving chain.

WARNING

Cutting edges on chain are sharp. Use protective gloves when handling chain.

Keep chain sharp. Your saw will cut faster and more safely. A dull chain will cause undue sprocket, guide bar, chain, and motor wear. If you must force chain into wood and cutting creates only sawdust with few large chips, chain is dull.

Please contact customer service agent or approved service agent for sharpening.

BATTERY CHARGER

SPECIFICATIONS

Charger: C8360/C8362

Input: 120-240VAC, 50/60Hz, Max.3A

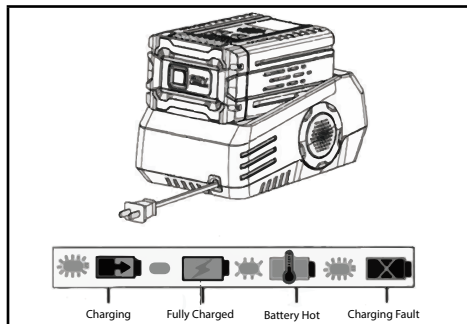
Output: 63VDC. Max.4.5A

Weight: 2.6 lbs (1.2kg)

WARNING

The battery is not shipped/transported fully charged. Fully charge the battery before first use to ensure that maximum run time can be achieved. This lithium-ion battery will not develop a memory and may be charged at any time.

CHARGING PROCEDURE



LED STATUS	DESCRIPTION
Blinking Green	Charging
Solid Green	Fully charged
Solid Red	Stand by
Blinking Red (fast)	Charging fault
Blinking Red (slow)	Battery too hot

Low voltage charging:

If the battery has been stored with little to no charge for a long period of time, the charger will go into recovery mode, which will take more time to fully charge the battery. This will enhance the life of the battery. Once it is fully charged, the next charge will return to standard charging.

A fully discharged battery pack will require the allotted time as stated in the battery manual. Plug the charger into an AC power outlet.

Insert the battery -into the charger.

This is a diagnostic charger. The Charger LED Lights will illuminate in specific order to communicate the current battery status. They are as follows:

False defect note:

When the battery is inserted into the charger and the status LED blinks RED, remove the battery from the charger for 1 minute, then reinsert. If the status LED blinks GREEN, then the battery is properly charging. If the status LED is still blinking RED, remove the battery and unplug the charger for 1 minute. After 1 minute, plug in the charger and reinsert the battery. If the status LED blinks GREEN, then the battery is properly charging. If the status LED is still blinking RED, the battery is defective and needs to be replaced

CHECKING THE CHARGE

If the battery pack does not charge properly:

Check the current at the power outlet with another tool. Make sure that the outlet is not turned off.

Check that the charger contacts have not been shorted by debris or foreign material.

If the air temperature is above 104°F or below 45°F, move the charger and battery pack to a room temperature location and allow to warm up slowly.

WARNING

If the battery is inserted into the charger when warm or hot, the **CHARGING LED** indicator light on the charger may switch on and illuminate **RED**. If this occurs allow the battery to cool inside of the charger for up to 30 minutes. Charging should automatically start once battery has cooled

CHARGER MOUNTING

1. This charger can be installed hanging on a wall using two #8 screws (not included).
2. Locate the placement for the charger to be wall mounted.
3. If fastening to wood studs use 2 wood screws (not included).
4. Drill two holes on center 5.5 in. apart ensuring that they are vertically aligned.
5. If fastening to drywall use wall anchors (not included) and screws to secure the charger to the wall.

Note: If the battery and the charger won't be used for a long time, remove the battery from the charger and pull out the AC power plug

MAINTENANCE

WARNING

If the battery is inserted into the charger when warm or hot, the **CHARGING LED** indicator light on the charger may switch on and illuminate **RED**. If this occurs allow the battery to cool inside of the charger for up to 30 minutes. Charging should automatically start once battery has cooled

Cleaning

Remove the battery pack.

- Brush or blow dust and debris out of the air vents using compressed air or a vacuum. Keep the air vents free of obstructions, sawdust, and wood chips. Do not spray, wash, or immerse the air vents in water.
- Wipe off the housing and the plastic components using a moist, soft cloth. Do not use strong solvents or detergents on the plastic housing or plastic

components. Certain household cleaners may cause damage, and may cause a shock hazard.

Battery Pack

- Store the battery pack fully charged
- Once the light on the charger turns solid green, remove the battery from the charger and disconnect the charger from the outlet.
- Do not store the battery pack on the tool.
- After charging, the battery pack may be stored in the charger, as long as the charger is not plugged in.

Charger Maintenance

Keep the charger clean and clear of debris. Do not allow foreign material to get into the recessed cavity or onto the contacts. Wipe the charger clean with a dry, soft cloth. Do not use solvents or water, and do not place the charger in wet conditions.

Unplug the charger when there is no battery pack in it.

Fully charge the batteries before placing them in storage.

Store the charger at normal room temperature. Do not store it in excessive heat. Do not use the charger in direct sunlight. Recharge at room temperature between 45° F and 104° F (7°C and 40° C). If the battery pack is hot, allow it to cool down inside of the charger. The battery will begin charging once it has returned to room temperature.

ENVIRONMENTALLY SAFE BATTERY DISPOSAL

⚠ WARNING

The following toxic and corrosive materials are in the batteries used in this blower.

Battery pack: Lithium-Ion, a toxic material.

⚠ WARNING

All toxic materials must be disposed of in a specified manner to prevent contamination of the environment. Before disposing of damaged or worn out Lithium-Ion battery packs, contact your local waste disposal agency, or the local Environmental Protection Agency for information and specific instructions. Take the batteries to a local recycling and/or disposal center, certified for lithium-ion disposal

⚠ WARNING

If the battery pack cracks or breaks, with or without leaks, do not recharge it and do not use. Dispose of it and replace with a new battery pack.

DO NOT ATTEMPT TO REPAIR IT!

To avoid injury and risk of fire, explosion, or electric shock, and to avoid damage to the environment:

- Cover the battery's terminals with heavy-duty adhesive tape

- DO NOT** attempt to remove or destroy any of the battery pack components.

- DO NOT** attempt to open the battery pack.

- If a leak develops, the released electrolytes are corrosive and toxic. **DO NOT** get the solution in the eyes or on skin, and do not swallow it.

- DO NOT** place these batteries in your regular household trash.

- DO NOT** incinerate.

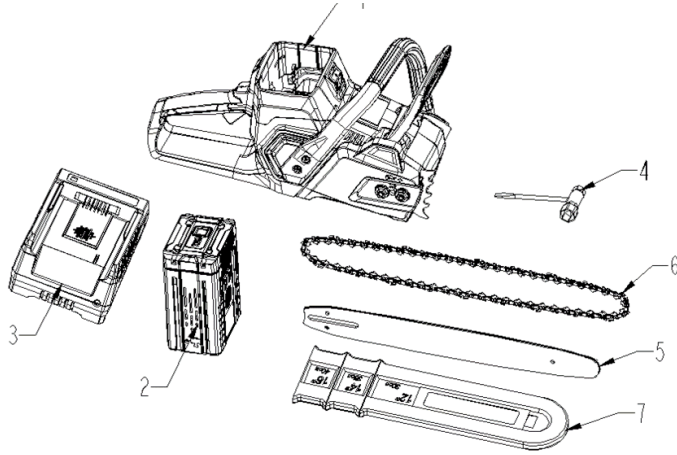
- DO NOT** place them where they will become part of any waste landfill or municipal solid waste stream.

Take them to a certified recycling or disposal center.

TROUBLESHOOTING

PROBLEM	POSSIBLE CAUSE	SOLUTION
Motor fails to start when switch trigger is depressed.	Battery is not secure.	To secure the battery pack, make sure the latches on the top of the battery pack snap into place.
	Battery is not charged.	Charge the battery pack according to the instructions included with your model.
	Check that emergency brake is not in working position	Push the emergency brake into working position
No lube for guide and chain	1.Check whether the tubing is blocked. 2. Check whether there are impurities in the oil tank blocking the inlet pipe	1.Remove wood chips from the tubing. 2. Remove debris from the tank
LED indicator of tool flashes for 1-19 times, motor fails to start	Motor controller fault, or over temperature, or low battery, or over load, etc.	1. Release the trigger and restart the machine after 3-5s; or 2. Stop the operation and cool the tool and battery; or charge the battery 3. Clean wood chips and debris from air inlet and outlet regularly
Slow cutting speed	The chain is not sharp	Replace the chain
The chain is too long	Unadjusted tensioning components	Adjust the tensioning components to fit the chain length

PARTS LIST



Item #	Part #	Description	QTY
1	2818120001	Host Components	1
2	2830210006	Battery	1
3	2836110002	Charger	1
4	58180000009001	Wrench	1
5	2818030001	16' Blade	1
6	2818030002	16' Chain	1
7	2818030003	16' Blade protector	1

WARRANTY PAGE

Returns

We offer a no quibble 30 day money back guarantee for all goods shipped correctly that are not required. The buyer will be responsible for the return postage and packing charges and any original shipping charges are non refundable. Goods should be returned in a condition suitable for resale and where possible should be returned in their original packaging.

Goods which are manufactured specifically for an order and shipped correctly are not returnable.

If the wrong item is received it is the responsibility of the buyer to notify us in writing within 7 days of receipt. Arrangements will then be made for the incorrect item to be collected and a replacement item to be dispatched

Warranty

Warranty Qualifications

We at Warrior understand the importance of warranty for service & repair, we offer a standard 3 Year (Tools Only) & 1 year (Battery Only) warranty without the need for registering your purchase.

Please view the limitations below and read the full T&C's about the warranty offered on a particular product.

All we require is the either a copy of the original proof of purchase or an invoice supplied from retailer at the time of purchase to enable the claim to be raised. Please keep your proof of purchase safe for the duration of your terms, in the unfortunate event you need our technical support we will ask for this to be provided on each claim, NO proof of purchase any warranty claim will be delayed or rejected.

Transportation charges on any product or part(s) submitted for repair or replacement under this warranty are the sole responsibility of the purchaser. This warranty only applies to the original purchaser and is not transferable.

Do Not Return the Unit to the Place of Purchase

Contact Technical Support and we will troubleshoot any issue via phone or e-mail. If the problem or issue is not resolved by this method, we will, at its option, authorise an evaluation, repair or replacement of the defective product, part(s) or component at our own Service Centre workshop. If and when an product has to be replaced in most cases it will be on a like for like basis not old for new. We will provide you with a case number for warranty service and this can be monitored through your login account. Please keep it for future reference. Repairs or replacements without prior authorization, or at an unauthorized repair facility, will not be covered by this warranty. We do have warranty exclusions for customers outside the United Kingdom please see our full T&C's.

Warranty Exclusions

THIS WARRANTY DOES NOT COVER THE FOLLOWING:

NORMAL WEAR

Your product needs periodic parts and service to perform well. This warranty does not cover repair when normal use has exhausted the life of a part or the equipment as a whole.

INSTALLATION, USE AND MAINTENANCE

This warranty will be voided and (or) not apply to parts or labour if your product is deemed to have been misused, neglected, involved in an accident, abused, overloaded beyond the limits, modified, installed improperly or connected incorrectly to any electrical component or system for battery charging. Normal period maintenance is not covered by this warranty.

Other Exclusions

This warranty excludes:

- cosmetic defects such as paint, decals, stickers or accessory tools
- service parts including blades, string, chains, bars or bags
- any electrical component other than main control unit like fuses, connectors, dials, knobs or levers.
- failures due to acts of God and other force majeure events beyond the manufacturer's control
- problems caused by parts that are not original
- alteration or modification(s) made by any party other than the manufacturer
- any third party electrical equipment
- All batteries supplied Over 1 Year Old.

Limits of Implied Warranty and Consequential Damage

BPE Holdings (Warrior Eco Power Equipment) disclaims any obligation to cover any loss of time, use of this product, freight, or any incidental or consequential claim costs by anyone using this product.

THIS WARRANTY IS IN LIEU OF ALL OTHER WARRANTIES, EXPRESS OR IMPLIED, INCLUDING WARRANTIES OF MERCHANTABILITY OR FITNESS FOR A PARTICULAR PURPOSE.

A unit provided as an exchange will be subject to the warranty of the original unit. The length of the warranty governing the exchanged unit will remain calculated by reference to the purchase date of the original unit. This warranty gives you certain legal rights which may change from country to country. Your country may also have other rights you may be entitled to that are not listed within this warranty.

PRODUKTSPEZIFIKATIONEN

SCHNURLOSE LITHIUM-IONEN-KETTENSÄGE	
Typ	schnurlos, akkubetrieben
Motor	60V
Akkupack	BP8302
Führungsstange	16" Stange: AP16-56-507P/ Kangxin; 160SDEA041/ Oregon; M1431657-1041TL/ Trilink
Sägekette	16" Kette: 3/8.050X56DL/Kangxin; 91PX057/ Oregon; CL14357TL/ Trilink

DE



**SCHNURLOSE
LITHIUM-IONEN-KETTENSÄGE**

BEWAHREN SIE DIESE ANLEITUNG AUF. Dieses Handbuch enthält wichtige Sicherheitsmaßnahmen, die vor der Inbetriebnahme des Produkts gelesen und verstanden werden sollten. Die Nichtbeachtung kann schwere Verletzungen zur Folge haben. Dieses Handbuch sollte beim Produkt aufbewahrt werden.

Die technischen Daten, Beschreibungen und Abbildungen in diesem Handbuch sind so genau, wie sie zum Zeitpunkt der Veröffentlichung bekannt waren, können aber ohne vorherige Ankündigung geändert werden

REV 20211216

ALLGEMEINE SICHERHEITSGESETZE

! WARNUNG

Lesen Sie alle Sicherheitswarnungen und Anweisungen. Die Nichtbeachtung der Warnungen und Anweisungen kann zu Stromschlägen, Feuer und/oder schweren Verletzungen führen.

Verletzungen führen.

Bewahren Sie alle Warnungen und Anweisungen zur späteren Bezugnahme auf.

Der Begriff „Elektrowerkzeug“ in den Warnhinweisen bezieht sich auf Ihr netzbetriebenes (kabelgebundenes) Elektrowerkzeug oder Ihr akkubetriebenes (schnurloses) Elektrowerkzeug.

1) Sicherheit im Arbeitsbereich

a) Halten Sie den Arbeitsbereich sauber und gut beleuchtet. In überladenen oder dunklen Bereichen können sich leicht Unfälle ereignen.

b) Keine Elektrowerkzeuge in explosionsgefährdeten Bereichen betreiben, z. B. in der Nähe von brennbaren Flüssigkeiten, Gasen oder Staub. Elektrowerkzeuge erzeugen Funken, die den Staub oder die Dämpfe entzünden können.

c) Halten Sie Kinder und Umstehende fern, während Sie ein Elektrowerkzeug bedienen. Ablenkungen können dazu führen, dass Sie die Kontrolle verlieren.

2) Elektrische Sicherheit

a) Die Stecker des Elektrowerkzeugs müssen zur Steckdose passen. Ändern Sie den Stecker niemals in irgendeiner Weise. Verwenden Sie keine Adapterstecker mit geerdeten Elektrowerkzeugen. Unveränderte Stecker und passende Steckdosen reduzieren das Risiko eines Stromschlags.

b) Vermeiden Sie Körperkontakt mit geerdeten Oberflächen wie Rohren, Heizkörpern, Herden und Kühlschränken. Es besteht ein erhöhtes Risiko für einen Stromschlag, wenn Ihr Körper geerdet ist.

c) Setzen Sie Elektrowerkzeuge nicht Regen oder Nässe aus. Wasser, das in ein Elektrowerkzeug eindringt, erhöht das Risiko eines Stromschlags.

d) Gebrauchen Sie das Kabel nur bestimmungsgemäß. Verwenden Sie das Kabel niemals zum Tragen, Ziehen oder Trennen des Elektrowerkzeugs. Halten Sie das

Kabel von Hitze, Öl, scharfen Kanten oder beweglichen Teilen fern.

Beschädigte oder verwickelte Kabel erhöhen das Risiko eines Stromschlags.

e) Wenn Sie ein Elektrowerkzeug im Freien betreiben, verwenden Sie ein Verlängerungskabel, das für den Außenbereich geeignet ist. Die Verwendung eines für den Außenbereich geeigneten Kabels reduziert das Risiko eines Stromschlags.

f) Wenn der Betrieb eines Elektrowerkzeugs an einem feuchten Ort unvermeidbar ist, verwenden Sie eine durch Fehlerstromschutz (RCD) geschützte Versorgung. Die Verwendung eines Fehlerstromschutzes reduziert das Risiko eines Stromschlags..

3) Persönliche Sicherheit

a) Bleiben Sie wachsam, beobachten Sie, was Sie tun, und verwenden Sie gesunden Menschenverstand, wenn Sie ein Elektrowerkzeug bedienen. Verwenden Sie kein Elektrowerkzeug, während Sie müde sind oder unter dem Einfluss von Drogen, Alkohol oder Medikamenten stehen. Ein Moment der Unaufmerksamkeit beim Bedienen von Elektrowerkzeugen kann zu schweren Personenschäden führen.

b) Verwenden Sie eine persönliche Schutzausrüstung. Tragen Sie immer einen Augenschutz. Schutzausrüstung wie Staubmaske, rutschfeste Sicherheitsschuhe, Schutzhelm oder Gehörschutz, der für geeignete Bedingungen verwendet wird, reduziert Personenschäden.

c) Verhindern Sie unbeabsichtigtes Starten. Stellen Sie sicher, dass sich der Schalter in der Aus-Position befindet, bevor Sie ihn an die Stromquelle und/oder den Akku anschließen, das Werkzeug aufnehmen oder tragen. Beim Tragen von Elektrowerkzeugen mit dem Finger auf dem Schalter oder das Einschalten von Elektrowerkzeugen, bei denen der Schalter eingeschaltet ist, können sich leicht Unfälle ereignen.

d) Entfernen Sie alle Einstellschlüssel oder Schraubenschlüssel, bevor Sie das Elektrowerkzeug einschalten. Ein Schraubenschlüssel oder ein Schlüssel, der an einem rotierenden Teil des Elektrowerkzeugs befestigt bleibt, kann zu Personenschäden führen.

e) Übernehmen Sie sich nicht. Bewahren Sie jederzeit einen festen Stand und das Gleichgewicht. Dies ermöglicht eine bessere Kontrolle des Elektrowerkzeugs in unerwarteten Situationen.

f) Tragen Sie die passende Kleidung. Tragen Sie keine lockere Kleidung oder Schmuck. Halten Sie Ihre Haare,

Kleidung und Handschuhe von beweglichen Teilen fern. Lockere Kleidung, Schmuck oder lange Haare können sich in beweglichen Teilen verfangen.

g) Wenn Geräte für den Anschluss von Entstaubungs- und Sammelgeräten vorgesehen sind, stellen Sie sicher, dass diese angeschlossen sind und ordnungsgemäß verwendet werden. Die Verwendung der Staubsammelgerätes kann staubbedingte Gefahren verringern.

4) Verwendung und Pflege von Elektrowerkzeugen

a) Setzen Sie das Elektrowerkzeug nicht mit Gewalt ein. Verwenden Sie das richtige Elektrowerkzeug für Ihre Anwendung. Das richtige Elektrowerkzeug erledigt die Arbeit besser und sicherer in der Geschwindigkeit, für die es entwickelt wurde.

b) Verwenden Sie das Elektrowerkzeug nicht, wenn der Schalter es nicht ein- und ausschaltet. Jedes Elektrowerkzeug, das nicht mit dem Schalter gesteuert werden kann, ist gefährlich und muss repariert werden.

c) Trennen Sie den Stecker von der Stromquelle und/oder den Akku vom Elektrowerkzeug, bevor Sie Anpassungen vornehmen, Zubehör wechseln oder Elektrowerkzeuge aufbewahren. Solche vorbeugenden Sicherheitsmaßnahmen reduzieren das Risiko, das Elektrowerkzeug versehentlich zu starten.

d) Lagern Sie ungenutzte Elektrowerkzeuge außerhalb der Reichweite von Kindern und erlauben Sie Personen, die mit dem Elektrowerkzeug oder diesen Anweisungen nicht vertraut sind, nicht, das Elektrowerkzeug zu bedienen.

In den Händen ungeschulter Benutzer sind Elektrowerkzeuge gefährlich.

e) Pflegen Sie Elektrowerkzeuge. Prüfen Sie auf Fehlausrichtung oder Bindung beweglicher Teile, Bruch von Teilen und andere Bedingungen, die den Betrieb von Elektrowerkzeugen beeinträchtigen können. Lassen Sie das Elektrowerkzeug vor dem Gebrauch reparieren, wenn es beschädigt ist. Viele Unfälle werden durch schlecht gewartete Elektrowerkzeuge verursacht.

f) Halten Sie die Schneidwerkzeuge scharf und sauber. Richtig gewartete Schneidwerkzeuge mit scharfen Schneidkanten binden seltener und sind leichter zu kontrollieren.

g) Verwenden Sie das Elektrowerkzeug, das Zubehör und die Werkzeigteile usw. gemäß diesen Anweisungen und in der für den jeweiligen Werkzeugtyp vorgesehenen Weise unter Berücksichtigung der Arbeitsbedingungen und der auszuführenden Arbeiten. Die Verwendung des Elektrowerkzeugs für andere als die beabsichtigten

Verwendungszwecke könnte zu einer gefährlichen Situation führen.

5) Verwendung und Pflege von Akkuwerkzeugen

a) Laden Sie nur mit dem vom Hersteller angegebenen Ladegerät auf. Ein Ladegerät, das für einen Akkutyp geeignet ist, kann bei Verwendung mit einem anderen Akkupack ein Brandrisiko darstellen.

b) Verwenden Sie Elektrowerkzeuge nur mit speziell dafür vorgesehenen Akkupacks. Die Verwendung anderer Akkupacks kann zu Verletzungs- und Brandgefahr führen.

c) Wenn das Akkupack nicht verwendet wird, halten Sie es von anderen Metallgegenständen wie Büroklammern, Münzen, Schlüsseln, Nägeln, Schrauben oder anderen kleinen Metallgegenständen fern, die eine Verbindung von einem Anschluss zum anderen herstellen können. Das Kurzschließen der Akkupole kann zu Verbrennungen oder einem Brand führen.

d) Unter missbräuchlichen Bedingungen kann Flüssigkeit aus dem Akku ausgestoßen werden; Kontakt vermeiden. Wenn versehentlich Kontakt auftritt, mit Wasser spülen. Wenn Flüssigkeit die Augen berührt, suchen Sie zusätzlich medizinische Hilfe auf. Flüssigkeit, die aus dem Akku ausgestoßen wird, kann Reizungen oder Verbrennungen verursachen.

6) Wartung

a) Lassen Sie Ihr Elektrowerkzeug von einer qualifizierten Reparaturkraft warten, die nur identische Ersatzteile verwendet. Dadurch wird sichergestellt, dass die Sicherheit des Elektrowerkzeugs erhalten bleibt.

Sicherheitswarnungen für Kettensägen

1. Halten Sie alle Teile des Körpers von der Sägekette fern, wenn die Kettensäge in Betrieb ist. Bevor Sie mit der Kettensäge beginnen, stellen Sie sicher, dass die Sägekette nichts berührt. Ein Moment der Unaufmerksamkeit beim Bedienen von Kettensägen kann zu einer Verwicklung Ihrer Kleidung oder Ihres Körpers mit der Sägekette führen.

2. Halten Sie die Kettensäge immer mit der rechten Hand am hinteren Griff und der linken Hand am vorderen Griff. Das Halten der Kettensäge mit einer umgekehrten Handkonfiguration erhöht das Risiko von Personenschäden und sollte niemals durchgeführt werden.

3. Halten Sie das Elektrowerkzeug nur durch isolierte Greifflächen, da die Sägekette versteckte Verkabelungen berühren kann. Sägeketten, die einen „stromführenden“ Draht berühren, können freiliegende Metallteile des

Elektrowerkzeugs „lebendig“ machen und dem Bediener einen Stromschlag versetzen.

4. Tragen Sie eine Schutzbrille und Gehörschutz. Weitere Schutzausrüstung für Kopf, Hände, Beine und Füße wird empfohlen. Angemessene Schutzkleidung reduziert Personenschäden durch herumfliegende Trümmer oder versehentlichen Kontakt mit der Sägekette.

5. Bedienen Sie keine Kettensäge in einem Baum. Die Bedienung einer Kettensäge in einem Baum kann zu Personenschäden führen.

6. Halten Sie immer einen festen Stand und bedienen Sie die Kettensäge nur, wenn Sie auf fester, sicherer und ebener Oberfläche stehen. Rutschige oder instabile Oberflächen wie Leitern können zu einem Verlust des Gleichgewichts oder der Kontrolle der Kettensäge führen.

7. Wenn Sie ein Teil schneiden, das unter Spannung steht, achten Sie auf den Rückschlag. Wenn die Spannung in den Holzfasern gelöst ist, kann das federbelastete Teil den Bediener treffen und/oder die Kettensäge außer Kontrolle geraten.

8. Gehen Sie beim Schneiden von Sträuchern und jungen Bäumen äußerst vorsichtig vor. Das schlanke Material kann sich in der Sägekette verfangen und auf Sie zurückgeschleudert werden oder Sie aus dem Gleichgewicht bringen.

9. Tragen Sie die Kettensäge am vorderen Griff mit ausgeschalteter Kettensäge und weg von Ihrem Körper. Beim Transport oder der Lagerung der Kettensäge immer die Führungsstangenabdeckung anbringen. Die richtige Handhabung der Kettensäge verringert die Wahrscheinlichkeit eines versehentlichen Kontakts mit der beweglichen Sägekette.

10. Befolgen Sie die Anweisungen zum Schmieren, Kettenspannen und Wechseln des Zubehörs. Eine unsachgemäß gespannte oder geschmierte Kette kann entweder brechen oder die Wahrscheinlichkeit eines Rückschlags erhöhen.

11. Halten Sie die Griffe trocken, sauber und frei von Öl und Fett. Fettige, ölige Griffe sind rutschig und verursachen einen Kontrollverlust.

12. Schneiden Sie nur Holz. Verwenden Sie die Kettensäge nicht für Zwecke, die nicht vorgesehen sind. Verwenden Sie beispielsweise keine Kettensäge zum Schneiden von Kunststoff-, Mauerwerks- oder Baumaterialien, die nicht aus Holz sind. Die Verwendung der Kettensäge für andere als die vorgesehenen Vorgänge kann zu einer Gefahrensituation führen

Ursachen und Bedienerprävention eines Rückschlags:

Ein Rückschlag kann auftreten, wenn die Nase oder Spitze der Führungsstange ein Objekt berührt oder sich das Holz schließt und die Sägekette im Schnitt einklemmt.

In einigen Fällen kann der Kontakt mit der Spitze eine plötzliche Rückwärtsreaktion hervorrufen, bei der die Führungsstange auf und zurück zum Bediener tritt.

Durch Einklemmen der Sägekette entlang der Oberseite der Führungsschiene kann die Führungsstange schnell in Richtung des Bedieners zurückgedrückt werden.

Jede dieser Reaktionen kann dazu führen, dass Sie die Kontrolle über die Säge verlieren, was zu schweren Personenschäden führen kann. Verlassen Sie sich nicht ausschließlich auf die in Ihre Säge eingebauten Schutzvorrichtungen. Als Benutzer der Kettensäge sollten Sie mehrere Schritte unternehmen, um Ihre Schneidarbeiten frei von Unfällen oder Verletzungen zu halten.

Ein Rückschlag ist das Ergebnis von Werkzeugmissbrauch und/oder falschen Betriebsabläufen oder -bedingungen und kann durch geeignete Vorsichtsmaßnahmen wie unten angegeben vermieden werden:

-Halten Sie einen festen Griff, mit Daumen und Fingern, welche die Griffe der Kettensäge umgeben, mit beiden Händen an der Säge und positionieren Sie Ihren Körper und Arm, damit Sie den Rückschlagkräften widerstehen können. Rückschlagkräfte können vom Bediener kontrolliert werden, wenn geeignete Vorkehrungen getroffen werden. Lassen Sie die Kettensäge nicht los.

-Übernehmen Sie sich nicht und schneiden Sie nicht über Schulterhöhe. Dies hilft dabei, unbeabsichtigten Spitzenkontakt zu verhindern, und ermöglicht eine bessere Kontrolle der Kettensäge in unerwarteten Situationen.

-Verwenden Sie nur Ersatzstangen und -ketten, die vom Hersteller angegeben sind. Falsche Ersatzstangen und -ketten können zu Kettenbruch und/oder Rückschlag führen.

-Befolgen Sie die Anweisungen des Herstellers zum Schärfen und Warten der Sägekette. Die Verringerung der Höhe des Tiefenmessers kann zu einem erhöhten Rückschlag führen.

BÄUME FÄLLEN

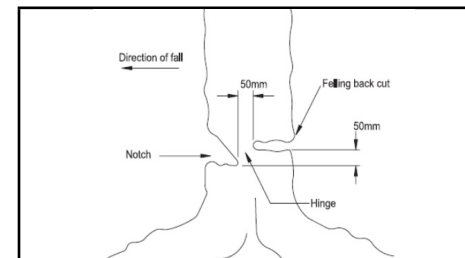
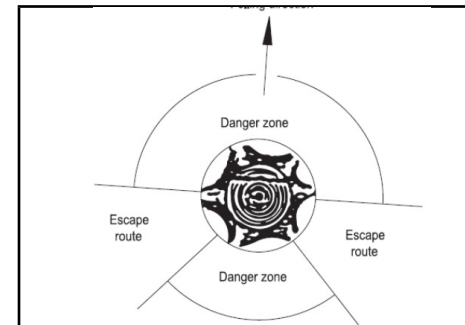
Wenn Zerteil- und Fällvorgänge von zwei oder mehr Personen gleichzeitig durchgeführt werden, sollten die Fällvorgänge vom Zerteilvorgang durch einen Abstand von mindestens der doppelten Höhe des zu fallenden Baumes getrennt werden. Bäume sollten nicht in einer Weise gefällt werden, die eine Person gefährden, eine Versorgungsleitung treffen oder Sachschäden verursachen kann. Wenn der Baum mit einer Versorgungsleitung in Kontakt kommt, sollte das Unternehmen sofort benachrichtigt werden.

Der Bediener der Kettensäge sollte sich auf der bergauf gelegenen Seite des Geländes aufhalten, da der Baum nach dem Fällen wahrscheinlich bergab rollt oder abrutscht.

Ein Fluchtweg sollte geplant und bei Bedarf geräumt werden, bevor mit dem Kürzen begonnen wird. Der Fluchtweg sollte sich nach hinten ausdehnen und diagonal bis zum hinteren Teil der erwarteten Falllinie erstrecken, wie in Abbildung 3 dargestellt.

Bevor mit dem Fällen begonnen wird, berücksichtigen Sie die natürliche Neigung des Baumes, die Lage größerer Äste und die Windrichtung, um zu beurteilen, in welche Richtung der Baum fallen wird.

Entfernen Sie Schmutz, Steine, lose Rinde, Nägel, Klammern und Draht vom Baum.

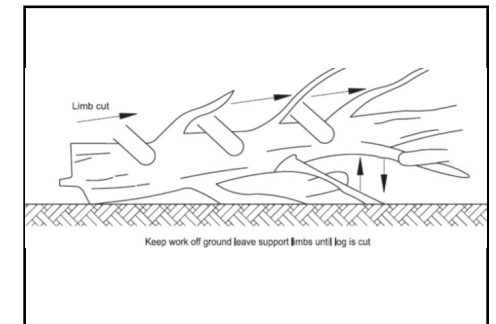


Kerbschnitt – Schneiden Sie die Kerbe 1/3 des Durchmessers des Baumes, senkrecht zur Fallrichtung, wie in Abbildung 4 dargestellt. Machen Sie zuerst den unteren horizontalen Kerbschnitt. Dies hilft, um ein Einklemmen der Sägekette oder der Führungsstange zu vermeiden, wenn die zweite Kerbe gemacht wird.

Felling Back Cut - Machen Sie den Fällschnitt mindestens 2 Zoll (50,8 mm) höher als den horizontalen Kerbschnitt, wie in Abbildung 4 dargestellt. Halten Sie den Fällschnitt parallel zum horizontalen Kerbschnitt. Machen Sie den Fällschnitt so, dass genügend Holz übrig bleibt, um als Scharnier zu fungieren. Das Scharnierholz verhindert, dass sich der Baum dreht und in die falsche Richtung fällt. Schneiden Sie nicht durch das Scharnier. Wenn sich der Fällschnitt dem Scharnier nähert, sollte der Baum zu fallen beginnen. Wenn die Möglichkeit besteht, dass der Baum nicht in die gewünschte Richtung fällt oder er zurückschaukelt und die Sägekette bindet, beenden Sie das Schneiden, bevor der Fällschnitt abgeschlossen ist, und verwenden Sie Keile aus Holz, Kunststoff oder Aluminium, um den Schnitt zu öffnen und den Baum entlang der gewünschten Falllinie fallen zu lassen.

Wenn der Baum zu fallen beginnt, entfernen Sie die Kettensäge aus dem Schnitt, stoppen Sie den Motor, stellen Sie die Kettensäge ab und verwenden Sie dann den geplanten Rückzugsweg. Achten Sie auf herunterfallende Teile und beobachten Sie Ihren Stand.

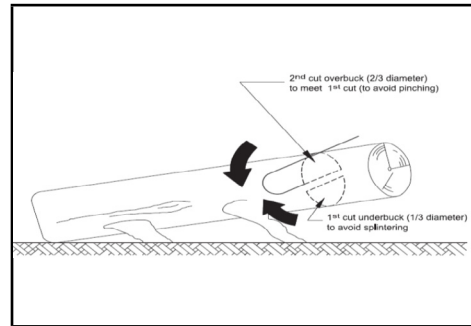
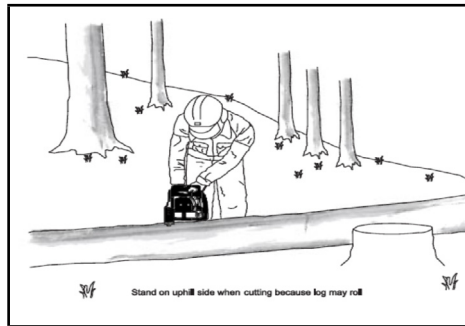
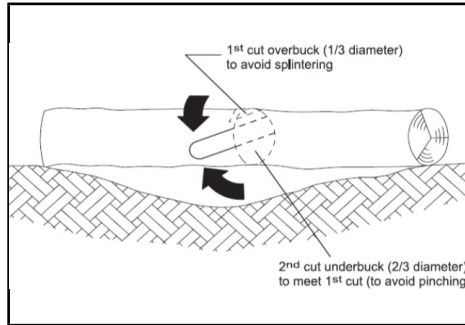
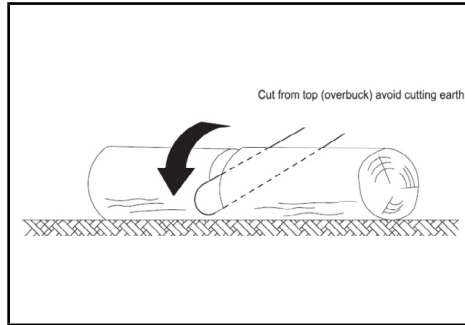
Einen Baum beschneiden – beim Beschneiden von Bäumen werden die Äste von einem umgestürzten Baum beschneiden. Lassen Sie beim Beschneiden größere untere Äste dran, um den Stamm vom Boden abzustützen. Entfernen Sie die kleinen Äste in einem Schnitt, wie in Abbildung 5 dargestellt. Äste unter Spannung sollten von unten nach oben geschnitten werden, um ein Binden der Kettensäge zu vermeiden.



Zerteilen von Stämmen – Beim Zerteilen wird ein Baumstamm längs geschnitten. Es ist wichtig sicherzustellen, dass Ihr Stand fest und Ihr Gewicht gleichmäßig auf beiden Füßen verteilt ist. Wenn möglich, sollte der Stamm angehoben und durch die Verwendung von Ästen, Stämmen oder Keilen gestützt werden. Befolgen Sie die einfachen Anweisungen für ein einfaches Schneiden.

Wenn der Stamm über seine gesamte Länge gestützt wird, wie in Abbildung 6 dargestellt, wird er von oben (über dem Bock) geschnitten.

Wenn der Stamm an einem Ende gestützt wird, wie in Abbildung 7 dargestellt, schneiden Sie 1/3 des Durchmessers von der Unterseite (unter dem Bock). Machen Sie danach den fertigen Schnitt, indem Sie weiter oben zerteilen, um den ersten Schnitt zu treffen. Wenn das Protokoll an beiden Enden gestützt wird, wie in Abbildung 8 dargestellt, schneiden Sie 1/3 dieses Durchmessers von oben. Machen Sie dann den fertigen Schnitt, indem Sie weiter unten als 2/3 zerteilen, um den ersten Schnitt zu treffen. Wenn Sie den Stamm an einem Hang zerteilen, stellen Sie sich immer auf die steigende Seite des Baumstamms, wie in Abbildung 9 dargestellt. Wenn Sie „durchschneiden“, um die vollständige Kontrolle zu behalten, lassen Sie den Schnittdruck am Ende des Schnitts los, ohne den Griff an den Griffen der Kettensäge zu lockern. Lassen Sie die Kette nicht mit dem Boden in Kontakt kommen. Warten Sie nach Abschluss des Schnitts, bis die Sägekette gestoppt ist, bevor Sie die Kettensäge bewegen. Stoppen Sie den Motor immer, bevor Sie sich von Baum zu Baum bewegen.

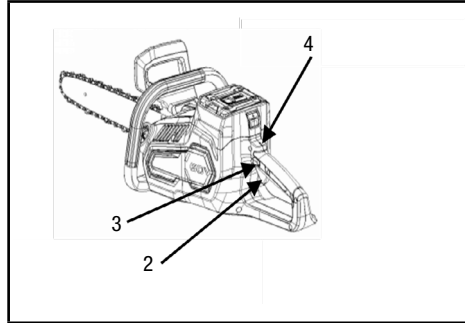
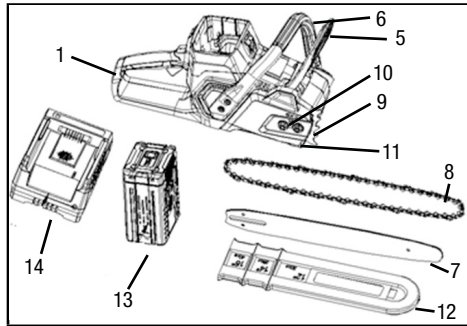


SYMBOLE

Einige der folgenden Symbole können bei diesem Produkt vorkommen. Bitte sehen Sie sich diese genau an und lernen Sie ihre Bedeutung. Durch die richtige Auslegung dieser Symbole können Sie das Produkt noch sicherer bedienen..

SYMBOL	MEANING
	Warnung/ Warnhinweise
	Lesen Sie das Bedienerhandbuch oder das Handbuch. Um das Verletzungsrisiko zu verringern, muss der Benutzer lesen und die Bedienungsanleitung verstehen, bevor Sie dieses Produkt verwenden.
	Schutzbrille/Visier, Schutzhelm & Gehörschutz Utilice protección para ojos, oídos y cabeza
	Warnung wegen Feuchtigkeit. Nicht Regen aussetzen oder an feuchten Orten verwenden
	Der Kontakt der Führungsstangenspitze mit einem Objekt sollte vermieden werden El contacto de la punta de la barra de guía con cualquier objeto debe evitarse.
	Der Spitzenkontakt kann dazu führen, dass sich die Führungsstange plötzlich nach oben und hinten bewegt, was zu schweren Verletzungen des Benutzers führen kann. DVERTENCIA! Tenga cuidado con los contragolpes.
	Verwenden Sie bei der Bedienung der Kettensäge nicht nur die eine Hand. Nunca opere la sierra con una sola mano Verwenden Sie bei der Bedienung der Kettensäge immer zwei Hände. Utilice siempre ambas manos mientras opera la sierra mecánica..
	Halten Sie Umstehende fern. Halten Sie alle Umstehenden mindestens 50 ft entfernt.
	Handschuhe. Tragen Sie rutschfeste, strapazierfähige Handschuhe.

KOMPONENTENLISTE



1. Hinterer Griff	2. Ein-/Aus-Schalter
3. Arretierknopf	4. LED-Anzeige
5. Handschutz	6. Vorderer Griff
7. Kettenstange	8. Kette
9. Greifzähne	10. Verriegelungsknopf / Kettenspannringknopf
11. Abdeckplatte	12. Klingenschutzabdeckung
13. Akkupack	14. Ladegerät

SPEZIFISCHE SICHERHEITSHINWEISE FÜR AKKU-GERÄTE UND LADEGERÄTE

! WARNUNG

Entfernen Sie immer den Akku aus Ihrer Maschine, um Teile zu montieren oder zu demontieren, Anpassungen vorzunehmen und zu schärfen, zu reinigen oder wenn Sie Ihr Werkzeug nicht benutzen. Dies reduziert das Risiko eines unbeabsichtigten Startens der Maschine, das zu schweren Verletzungen führen kann.

- Laden Sie den Akku Ihres Geräts mit dem vom Hersteller angegebenen Ladegerät auf. Ein Ladegerät, das für einen bestimmten Akkutyp geeignet ist, kann bei Verwendung mit einem anderen Akkutyp einen Brand verursachen.
- Der Akku sollte nicht gequetscht werden. Wenn er gequetscht wird, darf er nicht erhitzt oder verbrannt werden. Lassen Sie ihn nicht kurzschließen, zerlegen Sie ihn nicht und tauchen Sie ihn nicht in eine Flüssigkeit ein.
- Nur ein bestimmter Akkutyp kann mit einer kabellosen Maschine verwendet werden. Die Verwendung eines anderen Akkus kann zu einem Brand führen.
- Wenn der Akku nicht in Gebrauch ist, halten Sie ihn von Metallgegenständen wie Büroklammern, Münzen, Schlüsseln, Schrauben, Nägeln oder anderen Gegenständen fern, die die Kontakte zwischen ihnen verbinden. Der Kurzschluss kann Feuer und / oder Explosion verursachen und schwere Verbrennungen und Verletzungen verursachen.
- Vermeiden Sie den Kontakt mit Flüssigkeit aus einem undichten Akku aufgrund von Überhitzung oder anderen Faktoren. Wenn dies geschieht, spülen Sie den betroffenen Bereich des Körpers mit Wasser, und falls Ihre Augen betroffen sind, suchen Sie sofort einen Arzt auf.
- Aufgrund der beim Laden erzeugten Wärme sollte das Ladegerät nicht auf einer brennbaren Oberfläche oder in einer brennbaren Umgebung verwendet werden.

- Blockieren Sie niemals die Luftschlitze des Ladegeräts.
- Zerlegen Sie die Maschine niemals selbst. Eine falsche Wiedermontage kann die Gefahr eines elektrischen Schlags oder Feuers verursachen.
- Ziehen Sie das Ladegerät ab, wenn das Gerät nicht verwendet wird oder Sie das Gerät reinigen.
- Verwenden Sie nur zugelassene Verlängerungskabel in einwandfreiem Zustand.
- Stellen Sie sicher, dass die Belüftung des Platzes beim Aufladen ausreicht. Eine schlechte Belüftung des Ladevorgangs kann zu einer übermäßigen Nutzungstemperatur führen, was zu einer Fehlfunktion des Ladegeräts führt. Die höheren 40°C sollten vermieden werden.
- Das Ladegerät kann in geschlossenen Schränken oder in der Nähe von Wärmequellen wie Heizkörpern oder Sonnenlicht nicht eingesteckt werden, da es einer erhöhten Hitze ausgesetzt ist, die ein Feuer oder das Ladegerät beschädigen kann.
- Wenn Sie den Akku längere Zeit nicht verwenden, entfernen Sie ihn aus dem Ladegerät und ziehen Sie ihn ab.
- Befestigen Sie das Ladegerät nicht mit Nieten oder Schrauben. Nieten oder Schrauben können das isolierende Gehäuse unwirksam machen. Ein Klebeetikett ist besser, ohne die Lüftungsschlitze zu blockieren.
- Laden Sie nur originale Akkus auf.
- Wenn das Netzkabel beschädigt ist, lassen Sie es durch ein autorisiertes Servicecenter ersetzen, um das Risiko von Unfällen zu vermeiden.

! WARNUNG

Um das Risiko von Beschädigungen und Verletzungen zu vermeiden, stellen Sie die Betriebsspannung des Ladegeräts sicher und versuchen Sie niemals, nicht wiederaufladbare Batterien aufzuladen.

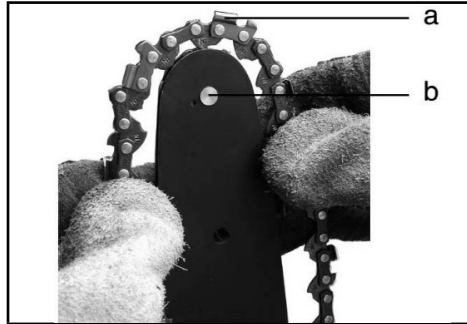
MONTAGE

! WARNUNG

Schließen Sie die Kettensäge nicht an das Stromnetz an, bevor sie vollständig montiert ist. Tragen Sie beim Umgang mit der Kette immer Handschuhe.

KETTEN- UND KETTENSTANGENMONTAGE

Die Kette muss so über der Führungsstange angebracht sein, dass die Schneidkanten der Fräser (a) in die Richtung zeigen, in die die Kette läuft.



Halten Sie die Führungsstange mit der Nase nach oben und legen Sie die Sägekette so auf das Kettenrad der Führungsstange in die Kettenglieder ein, dass sich die unteren Abschnitte der Antriebsglieder in der Nut der Stange befinden. Die Kette wird korrekt gespannt, wenn es noch möglich ist, sie um 3-4 mm anzuheben. Die Drehrichtung der Sägekette wird durch zwei Pfeile auf der Antriebsritzlabdeckung angezeigt.

- Packen Sie alle Teile vorsichtig aus.

- Platzieren Sie die Kettensäge auf einer geeigneten ebenen Fläche mit dem Motor nach unten.

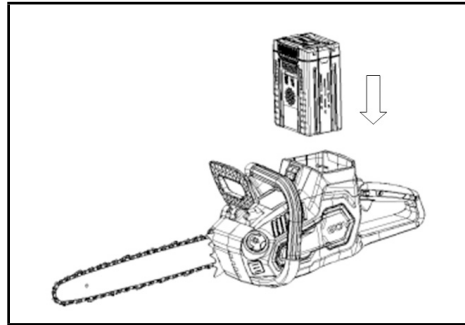
Montieren Sie die Kette auf das Antriebsrad und führen Sie die Kettenstange. So dass der Befestigungsbolzen und die beiden Führungsrippen in die Keilnut der Kettenstange ragen. Überprüfen Sie, ob alle Teile richtig sitzen, und halten Sie Kette und Kettenstange in einer ebenen Position.

- Passform-Abdeckung. Überprüfen, ob die Pfeile noch ausgerichtet sind

- Handsperreknopf am Befestigungsbolzen.

- Fahren Sie mit "Spannkette" fort.

Akkupack-Montage



Legen Sie den Akku wie oben gezeigt ein und achten Sie darauf, eine beliebige Taste zu drücken, um ein versehentliches Anlassen zu vermeiden.

SCHMIERUNG

! WICHTIG

Die Kettensäge wird nicht mit Öl gefüllt geliefert. Es ist wichtig, vor dem Gebrauch mit Öl zu füllen. Betreiben Sie die Kettensäge niemals ohne Kettenöl oder bei leerem Öltankstand, da dies zu erheblichen Schäden am Produkt führt.

Kettenlebensdauer und Schneidleistung hängen von einer optimalen Schmierung ab. Daher wird die Kette während des Betriebs über den Ölauslass automatisch geölt.

Füllöltank:

1. Legen Sie die Kettensäge auf jede geeignete Oberfläche mit Öleinfüllkappe nach oben.
2. Reinigen Sie den Bereich um den Öleinfülldeckel mit Stoffabschraubverschluss.
3. Entfernen Sie den Filtereinsatz während des Befüllens nicht.
4. Fügen Sie Kettensägenöl hinzu, bis das Reservoir voll ist.
5. Vermeiden Sie Schmutz oder Ablagerungen, die in den Öltank gelangen, überholen Sie den Öleinfülldeckel und ziehen Sie ihn fest.

! WICHTIG

Um das Entlüften des Ölbehälters zu ermöglichen, sind kleine Entlüftungskanäle zwischen dem Öleinfülldeckel und dem Sieb vorgesehen, um Leckagen zu vermeiden. Stellen Sie sicher, dass die Maschine bei Nichtgebrauch in einer horizontalen Position oben bleibt.

Es ist wichtig, nur das empfohlene Öl zu verwenden, um Schäden an der Kettensäge zu vermeiden. Verwenden Sie niemals recyceltes/altes Öl. Die Verwendung von nicht zugelassenem Öl führt zum Erlöschen der Garantie.

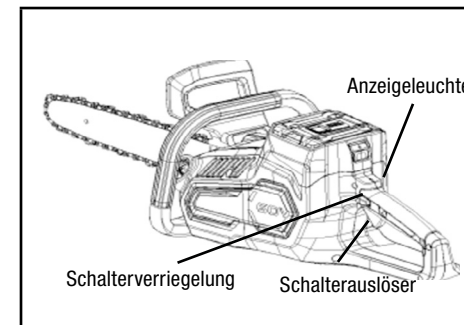
BETRIEB

! WICHTIG

Überprüfen Sie die Spannungs- und Stromversorgung: Die Spannungs- und Stromversorgung muss den Nennwerten auf dem Typenschild entsprechen.

Drücken Sie zum Einschalten des Geräts den Arretierknopf, drücken Sie dann vollständig den Ein- / Ausschalter und halten Sie ihn in dieser Position. Der Arretierknopf kann nun gelöst werden. Lassen Sie zum Ausschalten den Ein-/Ausschalter los.

Stoppen Sie die Kettensäge nach dem Sägen nicht, indem Sie den vorderen Handschutz aktivieren.



Rückschlags-Sicherheitsvorrichtungen an dieser Säge

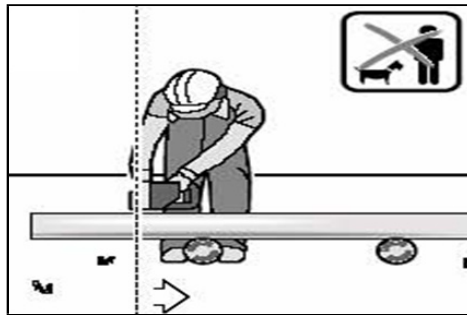
Diese Säge hat eine rückschlagarme Kette und eine reduzierte Rückschlagskettenstange. Beide Elemente verringern die Wahrscheinlichkeit eines Rückschlags. Mit dieser Säge kann es immer noch zu einem Rückschlag kommen.

Die folgenden Schritte verringern das Risiko eines Rückschlags.

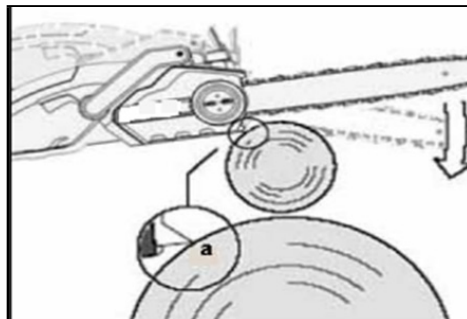
- Verwenden Sie beide Hände, um die Säge zu halten, während die Säge läuft. Verwenden Sie einen festen Griff. Daumen und Finger müssen die Sägegriffe umschließen.
- Bewahren Sie alle Sicherheitselemente an der Säge. Stellen Sie sicher, dass diese ordnungsgemäß funktionieren.
- Übernehmen Sie sich nicht und schneiden Sie nicht über Schulterhöhe.
- Bewahren Sie jederzeit einen festen Stand und das Gleichgewicht.
- Stellen Sie sich leicht zur linken Seite der Säge. Dies verhindert, dass Ihr Körper in direkter Linie mit der Kette steht.
- Lassen Sie die Nase der Führungsstangen nicht berühren, während sich die Kette bewegt.
- Versuchen Sie niemals, zwei Stämme gleichzeitig durchzuschneiden. Schneiden Sie jeweils nur einen Baumstamm.
- Graben Sie die Führungsstangennase nicht ein oder versuchen Sie nicht, sie zu schneiden (mit der Führungsstangennase in Holz bohren).
- Achten Sie auf die Verschiebung von Holz oder andere Kräfte, die die Kette einklemmen können.
- Seien Sie äußerst vorsichtig, wenn Sie einen vorherigen Schnitt erneut eingeben.
- Verwenden Sie eine Kette mit niedrigem Rückschlag und eine Führungsschiene, die mit dieser Kettensäge geliefert werden.
- Verwenden Sie niemals stumpfe oder lose Ketten. Halten Sie die Kette scharf mit der richtigen Spannung.

Allgemeines Verhalten

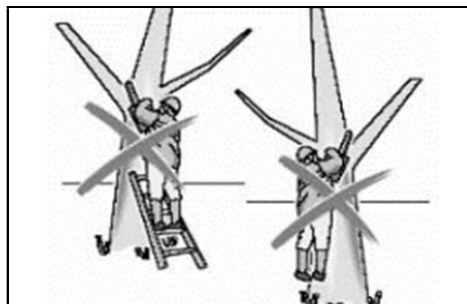
Verwenden Sie die Kettensäge nur mit einem sicheren Stand. Halten Sie die Kettensäge auf der rechten Seite Ihres Körpers.



Die Kette muss mit voller Geschwindigkeit laufen, bevor sie mit dem Holz in Berührung kommt. Verwenden Sie die Metallgreifzähne, um die Säge auf dem Holz zu befestigen, bevor Sie mit dem Schneiden beginnen. Verwenden Sie die Greifzähne als Hebelpunkt „a“ beim Schneiden.



Bedienen Sie die Kettensäge nicht mit vollständig ausgestreckten Armen und versuchen Sie nicht, schwer zugängliche Bereiche oder auf einer Leiter zu sägen. Verwenden Sie die Kettensäge niemals über Schulterhöhe.



SÄGENWARTUNG UND RÜCKSCHLAGSSICHERHEIT

Befolgen Sie die Wartungsanweisungen in diesem Handbuch. Die ordnungsgemäße Reinigung von Säge und Kette sowie die Wartung von Führungsschienen kann die Wahrscheinlichkeit eines Rückschlags verringern. Überprüfen und warten Sie die Säge nach jedem Gebrauch. Dies erhöht die Lebensdauer Ihrer Säge.

Hinweis: Selbst bei richtiger Schärfung kann das Risiko eines Rückschlags mit jeder Schärfung steigen.

WARTUNG UND LAGERUNG VON KETTENSÄGEN

- Entfernen Sie den Akku aus der Kettensäge, wenn er nicht verwendet wird
- Vor dem Umzug von einem Ort zum anderen vor der Wartung
- Vor dem Wechsel von Zubehör oder Anbaugeräten wie Sägekette und Schutzvorrichtung
- Überprüfen Sie die Kettensäge vor und nach jedem Gebrauch. Überprüfen Sie genau, ob die Schutzvorrichtung oder ein anderes Teil beschädigt wurde.
- Überprüfen Sie auf Schäden, die die Sicherheit des Bedieners oder den Betrieb der Säge beeinträchtigen können. Überprüfen Sie die Ausrichtung oder Bindung beweglicher Teile. Überprüfen Sie auf defekte oder beschädigte Teile. Verwenden Sie keine Kettensäge, wenn Schäden die Sicherheit oder den Betrieb beeinträchtigen. Lassen Sie Schäden von einem autorisierten Servicecenter reparieren.
- Pflegen Sie die Kettensäge mit Sorgfalt. • Setzen Sie die Säge niemals Regen aus.
- Halten Sie die Kette scharf, sauber und geschmiert für eine bessere und sicherere Leistung.
- Befolgen Sie die in diesem Handbuch beschriebenen Schritte, um die Kette zu schärfen.
- Halten Sie die Griffe trocken, sauber und frei von Öl und Fett.
- Halten Sie alle Schrauben und Muttern fest.
- Verwenden Sie bei der Wartung nur identische Ersatzteile.
- Wenn die Kettensäge nicht in Gebrauch ist, lagern Sie sie immer außerhalb der Reichweite von Kindern an einem hohen oder verschlossenen und trockenen Ort.

Austausch von Sägekette/Kettenstange

- Ersetzen Sie die Kette, wenn die Fräser zum Schärfen zu abgenutzt sind oder wenn die Kette bricht. Verwenden Sie nur die in diesem Handbuch angegebene Ersatzkette. Fügen Sie beim Austausch der Kette immer ein neues Antriebsritzel hinzu. Dies wird den ordnungsgemäßen Antrieb der Kette aufrechterhalten.
- Überprüfen Sie die Führungsschiene vor dem Schärfen der Kette. Eine abgenutzte oder beschädigte Führungsschiene ist unsicher. Eine abgenutzte oder beschädigte Führungsschiene beschädigt die Kette. Es wird auch das Schneiden schwieriger machen.
- Setzen Sie den Spannverschluss in die neue Stange ein, indem Sie die Schraube im Uhrzeigersinn anziehen. Der auskragende Verschluss (a) muß in das Stangenloch eingebaut sein.

SCHÄRF-SÄGEKETTE

! WARNUNG

Entfernen Sie den Akku vor der Wartung aus der Kettensäge. Schwere Verletzungen oder Tod können durch Körperkontakt mit der sich bewegenden Kette auftreten.

! WARNUNG

Schneidkanten an der Kette sind scharf. Verwenden Sie Schutzhandschuhe bei der Handhabung der Kette.

Halten Sie die Kette scharf. Ihre Säge schneidet schneller und sicherer. Eine stumpfe Kette verursacht übermäßigen Verschleiß durch Kettenrad, Führungsstange, Kette und Motor. Wenn Sie die Kette in Holz zwingen müssen und beim Schneiden nur Sägemehl mit wenigen großen Spänen entsteht, ist die Kette stumpf.

Bitte wenden Sie sich zum Schärfen an den Kundendienstmitarbeiter oder den zugelassenen Servicemitarbeiter.

AKKULADEGERÄT

SPEZIFIKATIONEN

Ladegerät : C8360/C8362

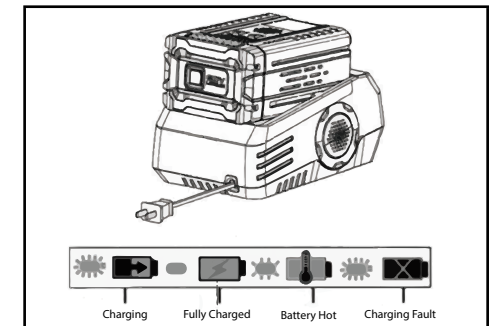
Eingang: 120-240VAC, 50/60Hz, Max.3A

Ausgang: 63VDC. Max.4.5A

Gewicht: 2.6 lbs (1.2kg)

LADEVORGANG (siehe Abbildung .7)

HINWEIS: Der Akku wird nicht vollständig geladen geliefert. Es wird empfohlen, vor dem ersten Gebrauch vollständig aufzuladen, um sicherzustellen, dass die maximale Laufzeit erreicht werden kann. Dieser Lithium-Ionen-Akku entwickelt keinen Speicher und kann jederzeit aufgeladen werden.



LED STATUS	BESCHREIBUNG
Grün blinkend	Ladevorgang
Permanent grün	Vollständig aufgeladen
Permanent rot	Standby
Rot blinkend (schnell)	Fehler beim Laden
Rot blinkend (langsam)	Akkupack oder Übertemperatur

Niederspannungsladung:

Wenn der Akku über einen längeren Zeitraum mit wenig bis gar keiner Ladung aufbewahrt wurde, wechselt das Ladegerät in den Wiederherstellungsmodus, wodurch es länger dauert, bis der Akku vollständig aufgeladen ist. Dies verlängert die Lebensdauer des Akkus. Sobald es vollständig aufgeladen ist, wird die nächste Ladung wieder standardmäßig durchgeführt.

Ein vollständig entladener Akku benötigt die im Akkuhandbuch angegebene Zeit. Stecken Sie das Ladegerät in eine Steckdose.

Legen Sie den Akku in das Ladegerät ein.

Dies ist ein Diagnoseladegerät. Die LED-Leuchten des Ladegeräts leuchten in einer bestimmten Reihenfolge, um den aktuellen Akkustatus zu melden.

Falscher Fehlerhinweis:

Wenn der Akku in das Ladegerät eingesetzt ist und die Status-LED ROT blinkt, nehmen Sie den Akku für 1 Minute aus dem Ladegerät und setzen Sie ihn dann wieder ein. Wenn die Status-LED GRÜN blinkt, wird der Akku ordnungsgemäß geladen. Wenn die Status-LED immer noch ROT blinkt, entfernen Sie den Akku und ziehen Sie das Ladegerät 1 Minute lang aus dem Stromnetz. Schließen Sie das Ladegerät nach 1 Minute an und setzen Sie den Akku wieder ein. Wenn die Status-LED GRÜN blinkt, wird der Akku ordnungsgemäß geladen. Wenn die Status-LED immer noch ROT blinkt, ist der Akku defekt und muss ausgetauscht werden.

ÜBERPRÜFEN DER LADUNG

Wenn der Akku nicht richtig geladen wird:

Prüfen Sie den Strom an der Steckdose mit einem anderen Werkzeug. Stellen Sie sicher, dass die Steckdose nicht ausgeschaltet ist.

Vergewissern Sie sich, dass die Kontakte des Ladegeräts nicht durch Schmutz oder Fremdkörper kurzgeschlossen wurden.

Bringen Sie das Ladegerät und den Akku an einen Ort mit Raumtemperatur, wenn die Lufttemperatur über 104 °F oder unter 45 °F liegt.

! WARNUNG

Wenn der Akku warm oder heiß in das Ladegerät eingesetzt wird, ändert sich möglicherweise die LED-Ladeanzeige am Ladegerät und leuchtet ROT auf. Lassen Sie den Akku in diesem Fall bis zu 30 Minuten im Ladegerät abkühlen. Der Ladevorgang sollte automatisch beginnen, sobald der Akku abgekühlt ist.

LADEGERÄT-MONTAGE

This charger can be installed hanging on a wall using two #8 screws (not included).

1. Dieses Ladegerät kann mit zwei Schrauben Gr. 8 (nicht im Lieferumfang enthalten) an der Wand hängend montiert werden.

2. Suchen Sie die Stelle, an der das Ladegerät an der Wand montiert werden soll.
3. Verwenden Sie bei Befestigung an Holzbeschlägen 2 Holzschrauben (nicht im Lieferumfang enthalten).
4. Bohren Sie zwei Löcher in der Mitte 5,5 Zoll auseinander und stellen Sie sicher, dass sie vertikal ausgerichtet sind.
5. Verwenden Sie zur Befestigung an Trockenbauwänden Wanddübel (nicht im Lieferumfang enthalten) und Schrauben, um das Ladegerät an der Wand zu befestigen.

Hinweis: Ziehen Sie den Akku aus dem Ladegerät und ziehen Sie den Netzstecker heraus, wenn der Akku und das Ladegerät für längere Zeit nicht verwendet werden.

INSTANDHALTUNG

! WARNUNG

Entfernen Sie den Akku, bevor Sie das Gebläse einstellen, inspizieren oder reinigen, um Personenschäden und die Gefahr von Feuer und Stromschlägen zu vermeiden.

Reinigung

Nehmen Sie das Akkupack heraus.

- Bürsten oder blasen Sie staubtrockene Ablagerungen mit Druckluft oder einem Vakuum aus den Lüftungsschlitzen. Halten Sie die Lüftungsöffnungen frei von Hindernissen, Sägemehl und Holzspänen. Sprühen, waschen oder tauchen Sie die Lüftungsschlitze nicht in Wasser.
- Wischen Sie das Gehäuse und die Kunststoffteile mit einem feuchten, weichen Tuch ab. Verwenden Sie keine starken Lösungs- oder Reinigungsmittel auf dem Kunststoffgehäuse oder Kunststoffteilen. Bestimmte Haushaltsreiniger können Schäden und eine Schockgefahr verursachen.

Akkupack

- Lagern Sie das Akkupack voll aufgeladen
- Sobald die Leuchte am Ladegerät konstant grün leuchtet, nehmen Sie den Akku aus dem Ladegerät und trennen Sie das Ladegerät von der Steckdose.
- Lagern Sie den Akku nicht auf dem Gerät.

- Der Akku kann nach dem Aufladen im Ladegerät aufbewahrt werden, solange das Gerät nicht angeschlossen ist.

Wartung des Ladegeräts

Halten Sie die Ladung sauber und frei von Schmutz. Lassen Sie nicht zu, dass Fremdmaterial in den vertieften Hohlraum oder auf die Kontakte gelangt. Wischen Sie das Ladegerät mit einem trockenen, weichen Tuch ab. Verwenden Sie keine Lösungsmittel oder Wasser und stellen Sie das Ladegerät nicht nass auf.

Ziehen Sie das Ladegerät aus der Steckdose, wenn kein Akkupack darin ist.

Laden Sie die Akkus vollständig auf, bevor Sie sie einlagern.

Lagern Sie das Ladegerät bei normaler Temperatur oder Raumtemperatur. Lagern Sie es nicht bei übermäßiger Hitze. Verwenden Sie das Ladegerät nicht bei direkter Sonneneinstrahlung. Laden Sie bei Raumtemperaturen zwischen 45° F und 104° F (7°C und 40° C) auf. Wenn der Akku heiß ist, lassen Sie ihn im Inneren des Ladegerät abkühlen. Der Akku beginnt mit dem Laden, sobald er wieder Raumtemperatur erreicht hat.

UMWELTSICHERE AKKUENTSORGUNG

! WARNUNG

Die folgenden giftigen und ätzenden Materialien befinden sich in den in diesem Gebläse verwendeten Akkus Akkupack: Lithium-Ion, ein giftiges Material.

! WARNUNG

Alle giftigen Materialien müssen in einer bestimmten Weise entsorgt werden, um eine Kontamination der Umwelt zu verhindern. Wenden Sie sich vor der Entsorgung beschädigter oder abgenutzter Lithium-Ionen-Akkupacks an Ihre örtliche Entsorgungsbehörde oder an die örtliche Umweltschutzbehörde, um Informationen und spezifische Anweisungen zu erhalten. Bringen Sie die Akkus zu einem örtlichen Recycling- und/oder Entsorgungszentrum, das für die Lithium-Ionenentsorgung zertifiziert

! WARNUNG

Wenn das Akkupack Risse bekommt oder mit oder ohne Lecks bricht, so laden Sie es nicht wieder auf und verwenden Sie sie nicht mehr. Entsorgen Sie es und ersetzen Sie es durch ein neues Akkupack.

VERSUCHEN SIE NICHT, ES ZU REPARIEREN!

Um Verletzungen und Feuer-, Explosions- oder Stromschlaggefahr sowie Umweltschäden zu vermeiden:

-Decken Sie die Akkuklemmen mit strapazierfähigem Klebeband ab

Versuchen Sie NICHT, die Komponenten des Akkupacks zu entfernen oder zu zerstören.

Versuchen Sie NICHT, das Akkupack zu öffnen.

Wenn ein Leck entsteht, sind die freigesetzten Elektrolyte ätzend und giftig. Lassen Sie die Lösung NICHT in die Augen oder auf die Haut gelangen und schlucken Sie sie nicht.

Legen Sie diese Akkus NICHT in Ihren normalen Haushaltsmüll.

NICHT verbrennen.

Stellen Sie sie NICHT dort auf, wo sie Teil einer Mülldeponie oder eines städtischen Abfallstroms werden.

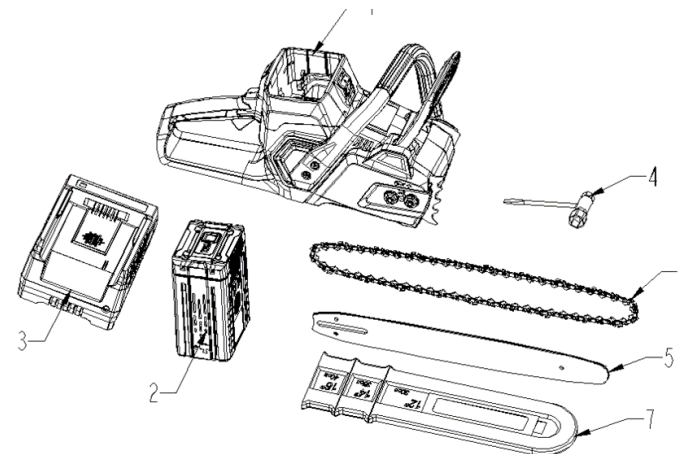
Bringen Sie sie zu einem zertifizierten Recycling- oder Entsorgungszentrum.

DE

FEHLERBEHEBUNG

PROBLEM	MÖGLICHE URSACHE	LÖSUNG
Der Motor startet nicht, wenn der Schalterauslöser gedrückt wird.	Der Akku ist nicht sicher.	Um den Akku zu sichern, stellen Sie sicher, dass die Riegel an der Oberseite des Akkus einrasten.
	Der Akku ist nicht geladen.	Laden Sie den Akku gemäß den Anweisungen Ihres Modells auf.
	Überprüfen Sie, ob die Notbremse nicht in Betriebsposition ist	Drücken Sie die Notbremse in die Arbeitsposition
Kein Schmiermittel für Führung und Kette	1. Überprüfen Sie, ob der Schlauch verstopft ist. 2. Überprüfen Sie, ob sich Verunreinigungen im Öltank befinden, die das Einlassrohr blockieren.	1. Entfernen Sie Holzspäne aus dem Schlauch. 2. Entfernen Sie Schmutz aus dem Tank.
Langsame Schnittgeschwindigkeit	Die Kette ist nicht scharf	1. Ersetzen Sie die Kette
Die Kette ist zu lang	Unbereinigte Spannkomponten	Passen Sie die Spannkomponten an die Kettenlänge an
LED-Anzeige des Werkzeugs blinkt 1-19 mal, Motor startet nicht	Störung der Motorsteuerung oder Übertemperatur oder schwacher Akku, oder Überlast usw.	1. Lassen Sie den Auslöser los und starten Sie das Gerät nach 3-5 Sekunden neu; oder 2. Stoppen Sie den Betrieb und kühlen Sie das Werkzeug oder laden Sie den Akku auf, oder 3. Reinigen Sie regelmäßig Holzspäne und Ablagerungen aus Luften- und -auslass.

TEILELISTE



Zahl	Teilenummer	Teilename	Menge
1	2818120001	Host-Komponenten	1
2	2830210006	Akku	1
3	2836110002	Ladegerät	1
4	58180000009001	Schraubenschlüssel	1
5	2818030001	16" Klinge	1
6	2818030002	16" Kette	1
7	2818030003	16" Klingenschutz	1

RÜCKGABERECHT

Wir bieten eine 30-tägige Geld-zurück-Garantie für alle Waren, die korrekt versandt wurden und nicht benötigt werden. Der Käufer ist für die Rücksende porto- und verpackungskosten verantwortlich und alle ursprünglichen Versandkosten sind nicht erstattungsfähig. Die Ware sollte in einem für den Weiterverkauf geeigneten Zustand und nach Möglichkeit in der Originalverpackung zurückgegeben werden.

Waren, die speziell für eine Bestellung hergestellt und korrekt versandt werden, können nicht zurückgegeben werden.

Wenn der falsche Artikel erhalten wird, liegt es in der Verantwortung des Käufers, uns innerhalb von 7 Tagen nach Erhalt schriftlich zu benachrichtigen. Es werden dann Vorkehrungen getroffen, damit der fehlerhafte Artikel abgeholt und ein Ersatzartikel versandt wird.

Garantie

Garantie-Qualifikationen

Wir bei Warrior verstehen die Bedeutung der Garantie für Service und Reparatur, wir bieten eine Standardgarantie von 3 Jahren (nur Werkzeuge) und 1 Jahr (nur Akku) an, ohne dass Sie Ihren Kauf registrieren müssen.

Bitte beachten Sie die folgenden Einschränkungen und lesen Sie die vollständigen AGB über die Garantie, die für ein bestimmtes Produkt angeboten wird.

Alles, was wir benötigen, ist entweder eine Kopie des Original-Kaufbelegs oder eine Rechnung, die zum Zeitpunkt des Kaufs vom Händler geliefert wird, um die Geltendmachung des Anspruchs zu ermöglichen. Bitte bewahren Sie Ihren Kaufbeleg für die Dauer Ihrer Laufzeit sicher auf, in dem unglücklichen Fall, dass Sie unsere technische Unterstützung benötigen, werden wir darum bitten, dass dies bei jedem Anspruch zur Verfügung gestellt wird, KEIN Kaufbeleg, ein Garantieanspruch wird verzögert oder abgelehnt.

Die Transportkosten für Produkte oder Teile, die im Rahmen dieser Garantie zur Reparatur oder zum Austausch eingereicht werden, liegen in der alleinigen Verantwortung des Käufers. Diese Garantie gilt nur für den Erstkäufer und ist nicht übertragbar.

Geben Sie das Gerät nicht an den Ort des Kaufs zurück

Wenden Sie sich an den technischen Support und wir werden jedes Problem per Telefon oder E-Mail beheben. Wenn das Problem oder Problem auf diese Weise nicht gelöst wird, werden wir nach eigenem Ermessen eine Bewertung, Reparatur oder den Austausch des defekten Produkts, Teils oder der Komponente in unserer eigenen Service-Center-Werkstatt genehmigen. Wann und wehm ein Produkt ersetzt werden muss, wird es in den meisten Fällen auf einer Like-for-Like-Basis sein, nicht alt für neu. Wir stellen Ihnen eine Fallnummer für den Garantieservice zur Verfügung, die über Ihr Login-Konto überwacht werden kann. Bitte bewahren Sie es für zukünftige Referenz auf. Reparaturen oder Ersatzlieferungen ohne vorherige Genehmigung oder in einer nicht autorisierten Reparaturwerkstatt fallen nicht unter diese Garantie. Wir haben Garantieausschlüsse für Kunden außerhalb des Vereinigten Königreichs, bitte beachten Sie unsere vollständigen AGB.

Garantieausschlüsse

DIESE GARANTIE DECKT FOLGENDES NICHT AB:

NORMALE ABNUTZUNG

Ihr Produkt benötigt regelmäßige Teile und Service, um eine gute Leistung zu erbringen. Diese Garantie deckt keine Reparatur ab, wenn der normale Gebrauch die Lebensdauer eines Teils oder des Geräts als Ganzes erschöpft hat.

INSTALLATION, NUTZUNG UND WARTUNG

Diese Garantie erlischt und (oder) gilt nicht für Teile oder Arbeit, wenn Davon ausgegangen wird, dass Ihr Produkt missbraucht, vernachlässigt, in einen Unfall verwickelt, missbraucht, über die Grenzen hinaus überlastet, modifiziert, unsachgemäß installiert oder falsch an eine elektrische Komponente oder ein System zum Aufladen der Batterie angeschlossen wurde. Die Wartung während des normalen Zeitraums ist nicht durch diese Garantie abgedeckt.

Sonstige Ausschlüsse

Diese Garantie schließt Ausschlüsse:

kosmetische Defekte wie Farbe, Aufkleber oder Zubehörwerkzeuge

Ersatzteile einschließlich Klingen, Schnur, Ketten, Stangen oder Taschen

alle elektrischen Komponenten mit Ausnahme der Hauptsteuerereinheit wie Sicherungen, Anschlüsse, Zifferblätter, Knöpfe oder Hebel.

Ausfälle aufgrund höherer Gewalt und andere Ereignisse höherer Gewalt, die außerhalb der Kontrolle des Herstellers liegen

Probleme, die durch Teile verursacht werden, die nicht original sind

Änderung oder Modifikation(en), die von einer anderen Partei als dem Hersteller vorgenommen wurde(n)

elektrische Geräte von Drittanbietern

Alle Batterien werden über 1 Jahr alt geliefert.

Grenzen der stillschweigenden Gewährleistung und Folgeschäden

BPE Holdings (Warrior Eco Power Equipment) lehnt jede Verpflichtung ab, Zeitverluste, die Nutzung dieses Produkts, Fracht oder neben- oder Folgekosten durch Personen, die dieses Produkt verwenden, zu decken.

DIESE GARANTIE TRITT AN DIE STELLE ALLER ANDEREN AUSDRÜCKLICHEN ODER STILLSCHWEIGENDEN GEWÄHRLEISTUNGEN, EINSCHLIEßLICH GARANTIEEN DER MARKTGÄNGIGKEIT ODER EIGNUNG FÜR EINEN BESTIMMTEN ZWECK.

Eine Einheit, die als Austausch zur Verfügung gestellt wird, unterliegt der Garantie des Originalgeräts. Die Garantiedauer für das ausgetauschte Gerät wird weiterhin unter Bezugnahme auf das Kaufdatum des Originalgeräts berechnet. Diese Garantie gibt Ihnen bestimmte gesetzliche Rechte, die sich von Land zu Land ändern können. Ihr Land kann auch andere Rechte haben, die Ihnen möglicherweise zustehen, die nicht in dieser Garantie aufgeführt sind.

WARRIOR[®]
ECO POWER EQUIPMENT

MANUEL DU PROPRIÉTAIRE

**MODEL #WEP8181CS
TRONÇONNEUSE SANS FIL AU LITHIUM-ION**



TRONÇONNEUSE SANS FIL AU LITHIUM-ION

Lisez attentivement toutes les règles et instructions de sécurité avant d'utiliser cet outil.

REV 20211216

CARACTÉRISTIQUES DE L'APPAREIL

TRONÇONNEUSE SANS FIL AU LITHIUM-ION	
Type	Fonctionnement sans fil sur batterie
Moteur	60V
Batterie	BP8302
Guide-chaîne	Barre de 16" : AP16-56-507P/ Kangxin ; 160SDEA041/Oregon ; M1431657-1041TL/ Trilink
Chaîne de scie	Chaîne de 16" : 3/8.050X56DL/Kangxin ; 91PX057/ Oregon ; CL14357TL/ Trilink

RÈGLES GÉNÉRALES DE SÉCURITÉ

AVERTISSEMENT

lisez tous les avertissements et les instructions de sécurité. Le non-respect des avertissements et des instructions peut entraîner un choc électrique, un incendie et/ou des blessures graves.

Conservez tous les avertissements et instructions pour référence future.

Le terme « outil électrique » dans les avertissements fait référence à votre outil électrique fonctionnant sur secteur (avec fil) ou à votre outil électrique fonctionnant sur batterie (sans fil).

1) Sécurité de la zone de travail

a) Gardez la zone de travail propre et bien éclairée. Les zones encombrées ou sombres sont propices aux accidents.

b) N'utilisez pas d'outils électriques dans des atmosphères explosives, comme en présence de liquides, de gaz ou de poussière inflammables. Les outils électriques créent des étincelles qui peuvent enflammer la poussière ou les vapeurs.

c) Tenez les enfants et les passants éloignés lors de l'utilisation d'un outil électrique. Les distractions peuvent vous faire perdre le contrôle.

2) Sécurité électrique

a) Les fiches des outils électriques doivent correspondre à la prise. Ne modifiez jamais la fiche de quelque façon que ce soit. N'utilisez pas de fiches d'adaptation avec des outils électriques mis à la terre. Des fiches non modifiées et des prises correspondantes réduiront le risque de choc électrique.

b) Évitez tout contact corporel avec des surfaces mises à la terre telles que des tuyaux, des radiateurs, des cuisinières et des réfrigérateurs. Il existe un risque accru de choc électrique si votre corps est mis à la terre.

c) N'exposez pas les outils électriques à la pluie ou à des conditions humides. La pénétration d'eau dans un outil électrique augmente le risque de choc électrique.

d) Ne maltraitez pas le cordon. N'utilisez jamais le cordon pour transporter, tirer ou débrancher l'outil

électrique. Tenez le cordon à l'écart de la chaleur, de l'huile, des bords tranchants ou des pièces mobiles.

Les cordons endommagés ou emmêlés augmentent le risque de choc électrique.

e) Lorsque vous utilisez un outil électrique à l'extérieur, utilisez une rallonge adaptée à une utilisation en extérieur. L'utilisation d'un cordon adapté à une utilisation en extérieur réduit le risque de choc électrique.

f) Si l'utilisation d'un outil électrique dans un endroit humide est inévitable, utilisez une alimentation protégée par un dispositif différentiel à courant résiduel (DDR). L'utilisation d'un DDR réduit le risque de choc électrique.

3) Sécurité personnelle

a) Restez vigilant, surveillez ce que vous faites et faites preuve de bon sens lorsque vous utilisez un outil électrique. N'utilisez pas d'outil électrique lorsque vous êtes fatigué ou sous l'influence de drogues, d'alcool ou de médicaments. Un moment d'inattention lors de l'utilisation d'outils électriques peut entraîner des blessures graves.

b) Utilisez un équipement de protection individuelle. Portez toujours des lunettes de protection. L'équipement de protection tel qu'un masque anti-poussière, des chaussures de sécurité antidérapantes, un casque ou une protection auditive utilisés dans des conditions appropriées réduira les blessures corporelles.

c) Évitez les démarrages involontaires. Assurez-vous que l'interrupteur est en position d'arrêt avant de brancher la source d'alimentation et/ou la batterie, de ramasser ou de transporter l'outil. Le transport d'outils électriques avec le doigt sur l'interrupteur ou la mise sous tension d'outils électriques dont l'interrupteur est en marche sont propices aux accidents.

d) Retirez toute clé de réglage ou clé avant de mettre l'outil électrique en marche. Une clé laissée attachée à une partie rotative de l'outil électrique peut entraîner des blessures.

e) N'allez pas trop loin. Gardez un bon appui et un bon équilibre à tout moment. Cela permet un meilleur contrôle de l'outil électrique dans des situations inattendues.

f) Habillez-vous correctement. Ne portez pas de vêtements amples ni de bijoux. Gardez vos cheveux, vêtements et gants éloignés des pièces mobiles. Les vêtements amples, les bijoux ou les cheveux longs peuvent se prendre dans les pièces mobiles.

g) Si des dispositifs sont fournis pour le raccordement des installations d'extraction et de collecte des poussières, assurez-vous qu'ils sont connectés et correctement utilisés. L'utilisation d'un système de dé poussiérage peut réduire les risques liés à la poussière.

4) Utilisation et entretien des outils électriques

a) Ne forcez pas l'outil électrique. Utilisez l'outil électrique adapté à votre application. Le bon outil électrique fera le travail de manière plus efficace et plus sûre à la vitesse pour laquelle il a été conçu.

b) N'utilisez pas l'outil électrique si l'interrupteur ne l'allume pas et ne l'éteint pas. Tout outil électrique qui ne peut pas être contrôlé avec l'interrupteur est dangereux et doit être réparé.

c) Débranchez la fiche de la source d'alimentation et/ou la batterie de l'outil électrique avant d'effectuer des réglages, de changer des accessoires ou de ranger des outils électriques. De telles mesures de sécurité préventives réduisent le risque de démarrage accidentel de l'outil électrique.

d) Rangez les outils électriques inutilisés hors de portée des enfants et ne laissez pas des personnes non familiarisées avec l'outil électrique ou ces instructions utiliser l'outil électrique.

Les outils électriques sont dangereux entre les mains d'utilisateurs non formés.

e) Entretenez les outils électriques. Vérifiez qu'il n'y a pas de désalignement ou de grippage des pièces mobiles, de bris de pièces et de toute autre condition pouvant affecter le fonctionnement des outils électriques. S'il est endommagé, faites réparer l'outil électrique avant de l'utiliser. De nombreux accidents sont causés par des outils électriques mal entretenus.

f) Gardez les outils de coupe tranchants et propres. Des outils de coupe correctement entretenus avec des bords tranchants sont moins susceptibles de se coincer et sont plus faciles à contrôler.

g) Utilisez l'outil électrique, les accessoires et les mèches, etc., conformément à ces instructions et de la manière prévue pour le type particulier d'outil électrique, en tenant compte des conditions de travail et du travail à effectuer. L'utilisation de l'outil électrique pour des opérations différentes de celles prévues peut entraîner une situation dangereuse.

5) Utilisation et entretien des outils à batterie

a) Rechargez uniquement avec le chargeur spécifié par le fabricant. Un chargeur adapté à un type de batterie

peut créer un risque d'incendie lorsqu'il est utilisé avec une autre batterie.

b) N'utilisez des outils électriques qu'avec des batteries spécialement conçues pour. L'utilisation de toute autre batterie peut créer un risque de blessure et d'incendie.

c) Lorsque la batterie n'est pas utilisée, éloignez-la d'autres objets métalliques, comme des trombones, des pièces de monnaie, des clés, des clous, des vis ou d'autres petits objets métalliques, qui peuvent établir une connexion d'un terminal à un autre. Un court-circuit entre les bornes de la batterie peut provoquer des brûlures ou un incendie.

d) Dans des conditions abusives, du liquide peut être éjecté de la batterie ; évitez les contacts. En cas de contact accidentel, rincez à l'eau. Si le liquide entre en contact avec les yeux, consultez également un médecin. Le liquide éjecté de la batterie peut provoquer une irritation ou des brûlures.

6) Entretien

a) Faites entretenir votre outil électrique par un réparateur qualifié en utilisant uniquement des pièces de rechange identiques. Cela garantira le maintien de la sécurité de l'outil électrique.

Avertissements de sécurité pour la tronçonneuse

1. Gardez toutes les parties du corps éloignées de la chaîne de tronçonneuse lorsque la tronçonneuse est en marche. Avant de démarrer la tronçonneuse, assurez-vous que la chaîne de tronçonneuse n'est en contact avec rien. Un moment d'inattention lors de l'utilisation de la tronçonneuse peut entraîner un enchevêtrement de vos vêtements ou de votre corps avec la chaîne de tronçonneuse.

2. Tenez toujours la tronçonneuse avec votre main droite sur la poignée arrière et votre main gauche sur la poignée avant. Tenir la tronçonneuse avec une configuration manuelle inversée augmente le risque de blessure et ne doit jamais être fait.

3. Tenez l'outil électrique uniquement par les surfaces de préhension isolées, car la chaîne de scie peut entrer en contact avec des câbles cachés. Les chaînes de scie entrant en contact avec un fil « sous tension » peuvent rendre les pièces métalliques exposées de l'outil électrique « sous tension » et peuvent provoquer un choc électrique pour l'opérateur.

4. Portez des lunettes de sécurité et une protection auditive. Un équipement de protection supplémentaire pour la tête, les mains, les jambes et les pieds est recommandé. Des vêtements de protection adéquats réduiront les blessures corporelles causées par des débris volants ou un contact accidentel avec la chaîne de scie.

5. N'utilisez pas la tronçonneuse dans un arbre. L'utilisation de la tronçonneuse dans un arbre peut entraîner des blessures.

6. Gardez toujours un bon appui et n'utilisez la tronçonneuse que lorsque vous vous tenez sur une surface fixe, sûre et plane. Les surfaces glissantes ou instables telles que les échelles peuvent entraîner une perte d'équilibre ou de contrôle de la tronçonneuse.

7. Lorsque vous coupez une branche sous tension, soyez attentif au retour élastique. Lorsque la tension dans les fibres de bois est relâchée, la branche revient comme un ressort et peut heurter l'opérateur et/ou faire perdre le contrôle de la tronçonneuse.

8. Soyez extrêmement prudent lorsque vous coupez des broussailles et de jeunes arbres. Le matériau mince peut attraper la chaîne de la scie et vous fouetter ou vous déséquilibrer.

9. Transportez la tronçonneuse par la poignée avant, avec la tronçonneuse éteinte et éloignée de votre corps. Lors du transport ou du stockage de la tronçonneuse, appliquez toujours le couvercle du guide-chaîne. Une manipulation appropriée de la tronçonneuse réduira la probabilité de contact accidentel avec la chaîne de tronçonneuse en mouvement.

10. Suivez les instructions pour la lubrification, la tension de la chaîne et le changement d'accessoires. Une chaîne mal tendue ou mal lubrifiée peut se casser ou augmenter le risque de rebond.

11. Gardez les poignées sèches, propres et exemptes d'huile et de graisse. Les poignées graisseuses et huileuses sont glissantes et entraînent une perte de contrôle.

12. Coupez du bois uniquement. N'utilisez pas la tronçonneuse à des fins non prévues. Par exemple : n'utilisez pas de tronçonneuse pour couper du plastique, de la maçonnerie ou des matériaux de construction autres que le bois. L'utilisation de la tronçonneuse pour des opérations différentes de celles prévues peut entraîner une situation dangereuse.

Causes et prévention du rebond par l'opérateur :

Un rebond peut se produire lorsque le nez ou la pointe du guide-chaîne touche un objet, ou lorsque le bois se referme et pince la chaîne de scie dans la coupe.

Dans certains cas, le contact de la pointe peut provoquer une réaction inverse soudaine, faisant monter et reculer le guide-chaîne vers l'opérateur.

Le pincement de la chaîne de scie le long du haut du guide-chaîne peut repousser rapidement le guide-chaîne vers l'opérateur.

L'une ou l'autre de ces réactions peut vous faire perdre le contrôle de la tronçonneuse, ce qui pourrait entraîner des blessures graves. Ne vous fiez pas exclusivement aux dispositifs de sécurité intégrés à votre tronçonneuse. En tant qu'utilisateur d'une tronçonneuse, vous devez prendre plusieurs mesures pour éviter tout accident ou blessure lors de vos travaux de coupe.

Le rebond est le résultat d'une mauvaise utilisation de l'outil et/ou de procédures ou conditions de fonctionnement incorrectes et peut être évité en prenant les précautions appropriées comme indiqué ci-dessous :

- Maintenez une prise ferme, avec les pouces et les doigts encerclant les poignées de la tronçonneuse, avec les deux mains sur la tronçonneuse et positionnez votre corps et votre bras pour vous permettre de résister aux forces de rebond. Les forces de rebond peuvent être contrôlées par l'opérateur, si les précautions appropriées sont prises. Ne lâchez pas la tronçonneuse.

- N'allez pas trop loin et ne coupez pas au-dessus de la hauteur des épaules. Cela permet d'éviter tout contact involontaire de la pointe et permet un meilleur contrôle de la tronçonneuse dans des situations inattendues.

- Utilisez uniquement des barres et des chaînes de remplacement spécifiées par le fabricant. Des barres et des chaînes de remplacement incorrectes peuvent provoquer une rupture de la chaîne et/ou un rebond.

- Suivez les instructions d'affûtage et d'entretien du fabricant pour la chaîne de scie. La diminution de la hauteur de la jauge de profondeur peut entraîner une augmentation du rebond.

ABATTRE UN ARBRE

Lorsque les opérations de tronçonnage et d'abattage sont effectuées par deux personnes ou plus en même temps, les opérations d'abattage doivent être séparées de l'opération de tronçonnage d'une distance d'au moins deux fois la hauteur de l'arbre à abattre. Les arbres ne doivent pas être abattus d'une manière qui mettrait en

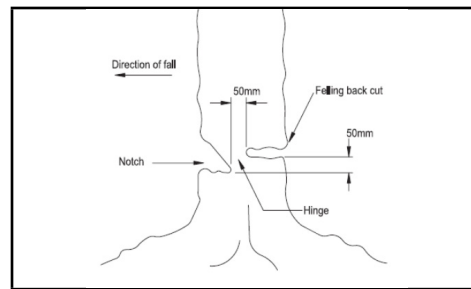
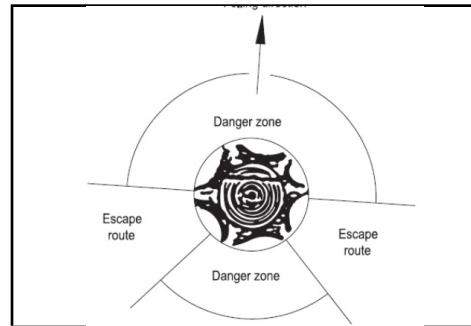
danger toute personne, heurterait une ligne de service public ou causerait des dommages matériels. Si l'arbre entre en contact avec une ligne de service public, l'entreprise doit en être informée immédiatement.

L'opérateur de la tronçonneuse doit rester sur le côté en amont du terrain car l'arbre est susceptible de rouler ou de glisser vers le bas après avoir été abattu.

Un chemin d'évacuation doit être planifié et dégagé si nécessaire avant le début des coupes. Le chemin d'évacuation doit s'étendre en arrière et en diagonale jusqu'à l'arrière de la ligne de chute prévue, comme illustré à la Figure 3.

Avant de commencer l'abattage, tenez compte de l'inclinaison naturelle de l'arbre, de l'emplacement des grosses branches et de la direction du vent pour déterminer dans quelle direction l'arbre tombera.

Enlevez la saleté, les pierres, l'écorce détachée, les clous, les agrafes et les câbles de l'arbre.



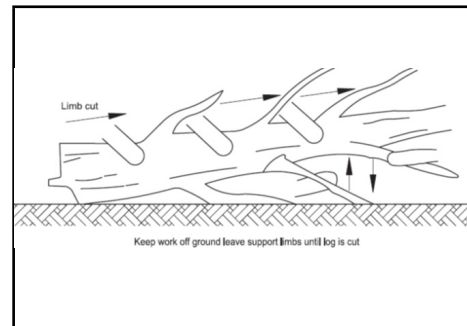
Entaillage en contre-dépouille - Faites l'entaille à 1/3 du diamètre de l'arbre, perpendiculaire à la direction de la chute, comme illustré à la Figure 4. Faites d'abord l'entaille horizontale inférieure. Cela aidera à éviter le pincement de la chaîne ou du guide-chaîne lors de la deuxième entaille.

Coupe arrière d'abattage - Faites une coupe arrière d'abattage d'au moins 2 pouces (50,8 mm) plus haute que

l'entaille horizontale comme illustré à la Figure 4. Gardez la coupe arrière d'abattage parallèle à la coupe d'entaille horizontale. Effectuez la coupe arrière d'abattage de manière à ce qu'il reste suffisamment de bois pour faire office de charnière. Le bois de la charnière empêche l'arbre de se tordre et de tomber dans la mauvaise direction. Ne coupez pas à travers la charnière. Au fur et à mesure que la coupe d'abattage se rapproche de la charnière, l'arbre devrait commencer à tomber. S'il y a un risque que l'arbre ne tombe pas dans la direction souhaitée ou qu'il bascule en arrière et coince la chaîne de scie, arrêtez de couper avant la fin de la coupe arrière d'abattage et utilisez des cales de bois, de plastique ou d'aluminium pour ouvrir la coupe et laisser tomber l'arbre le long de la ligne de chute désirée.

Lorsque l'arbre commence à tomber, retirez la tronçonneuse de la coupe, arrêtez le moteur, posez la tronçonneuse, puis utilisez le chemin de retraite prévu. Soyez attentif aux chutes de branches supérieures et surveillez vos appuis.

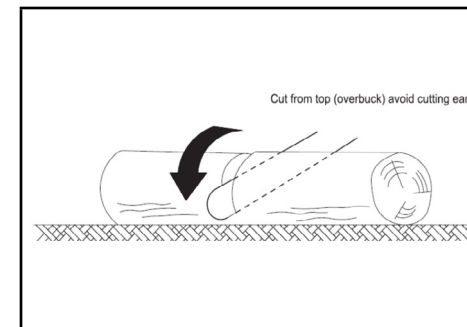
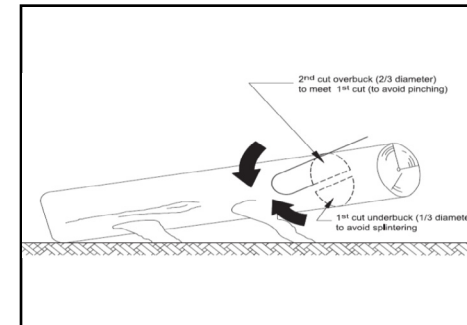
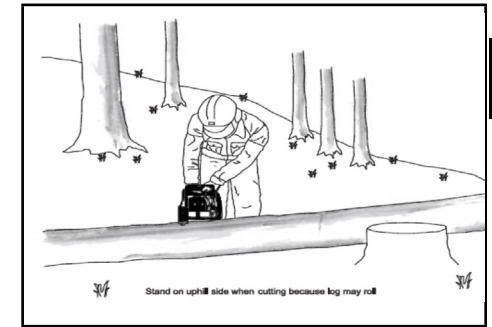
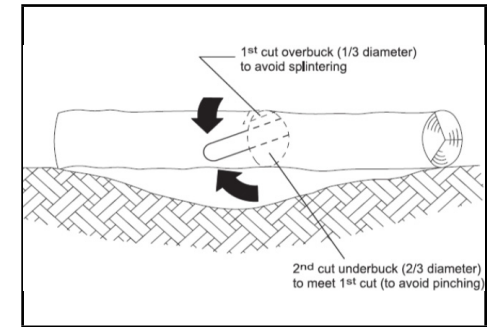
Ébranchage d'un arbre - L'ébranchage consiste à retirer les branches d'un arbre tombé. Lors de l'ébranchage, laissez des branches inférieures plus grosses pour soutenir la bûche du sol. Retirez les petites branches en une seule coupe, comme illustré à la Figure 5. Les branches sous tension doivent être coupées de bas en haut pour éviter de coincer la tronçonneuse.



Tronçonner une bûche - Le tronçonnage consiste à couper une bûche en longueurs. Il est important de vous assurer d'avoir un appui ferme et que votre poids est uniformément réparti sur les deux pieds. Dans la mesure du possible, la bûche doit être soulevée et soutenue par l'utilisation de branches, de bûches ou de cales. Suivez les instructions simples pour une coupe facile.











Lorsque la bûche est soutenue sur toute sa longueur, comme illustré à la Figure 6, elle est coupée par le haut (au-dessus du tronçon).

Lorsque la bûche est soutenue à une extrémité, comme illustré à la Figure 7, coupez 1/3 du diamètre à partir du dessous (sous le tronçon). Ensuite, faites la coupe finale en coupant trop pour rencontrer la première coupe. Lorsque la bûche est soutenue aux deux extrémités, comme illustré à la Figure 8, coupez 1/3 de ce diamètre à partir du haut sur le tronçon. Ensuite, faites la coupe finie en coupant sous les 2/3 inférieurs pour rencontrer la première coupe. Lors du tronçonnage sur une pente, placez-vous toujours du côté amont de la bûche, comme illustré à la Figure 9. Lors de la « coupe à travers », pour maintenir un contrôle complet, relâchez la pression de coupe près de la fin de la coupe sans relâcher votre prise sur les poignées de la tronçonneuse. Ne laissez pas la chaîne toucher le sol. Une fois la coupe terminée, attendez que la chaîne s'arrête avant de déplacer la tronçonneuse. Arrêtez toujours le moteur avant de vous déplacer d'arbre en arbre.

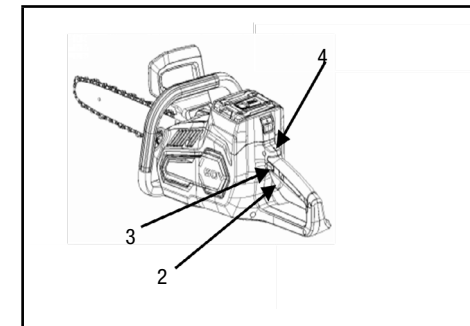
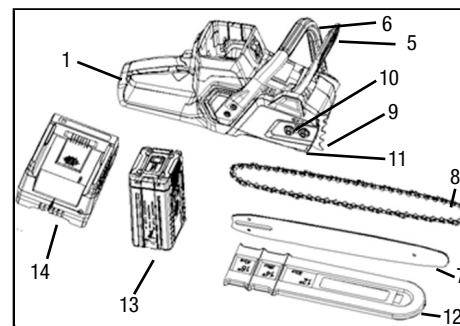


SYMBOLES

Certains des symboles suivants peuvent être utilisés sur cet appareil. Veuillez vous familiariser avec ces symboles et apprendre leur signification. Une interprétation correcte de ces symboles vous permettra de mieux utiliser l'appareil, en toute sécurité.

SYMBOL	MEANING
	AVERTISSEMENT
	Lire le manuel de l'opérateur. Pour réduire le risque de blessure, l'utilisateur doit lire et comprendre le manuel d'utilisation avant d'utiliser cet appareil.
 	Lunettes de protection/visière, casque de protection et protection auditive.
	Alerte de conditions humides. N'exposez pas à la pluie ou n'utilisez pas dans des endroits humides.
	Le contact de la pointe du guide-chaîne avec tout objet doit être évité.
	Le contact de la pointe peut provoquer un mouvement soudain du guide-chaîne vers le haut et vers l'arrière, ce qui peut causer des blessures graves à l'utilisateur.
	N'utilisez pas une seule main lorsque vous utilisez la tronçonneuse. Utilisez toujours les deux mains lorsque vous utilisez la tronçonneuse.
	Éloigner les passants. Gardez tous les passants à au moins 50 pieds de distance.
	Gants. Portez des gants résistants et antidérapants.

LISTE DES COMPOSANTS



1. Poignée arrière	2. Interrupteur marche/arrêt
3. Bouton de verrouillage	4. Voyant LED
5. Protège-main	6. Poignée avant
7. Barre de chaîne	8. Chaîne
9. Dents de préhension	10. Bouton de verrouillage/Bouton de bague de tension de chaîne
11. Plaque de protection	12. Couvercle de protection de lame
13. Batterie	14. Chargeur

CONSIGNES DE SÉCURITÉ SPÉCIFIQUES POUR LES OUTILS SANS FIL ET LE CHARGEUR

⚠ AVERTISSEMENT

Retirez toujours la batterie de votre machine pour assembler ou démonter des pièces, effectuer des réglages et affûter, nettoyer ou lorsque vous n'utilisez pas votre outil. Cela réduira le risque de démarrage accidentel de la machine pouvant causer des blessures graves.

- Rechargez la batterie de votre machine avec le chargeur spécifié par le fabricant. Un chargeur adapté à un certain type de batterie peut provoquer un incendie lorsqu'il est utilisé avec un autre type.
- La batterie ne doit pas être écrasée. Si elle est écrasée, elle ne doit pas être chauffée ou incinérée, ne la faites pas court-circuiter ou démonter, ou ne l'immergez pas dans un liquide.
- Seul un type spécifique de batterie peut être utilisé avec une machine sans fil. L'utilisation de toute autre batterie peut provoquer un incendie.
- Lorsque la batterie n'est pas utilisée, éloignez-la des objets métalliques tels que des trombones, des pièces de monnaie, des clés, des vis, des clous ou d'autres objets qui relient les contacts entre eux. Le court-circuit peut provoquer un incendie et/ou une explosion de celui-ci, et provoquer de graves brûlures et blessures.
- Évitez tout contact avec le liquide d'une batterie qui fuit en raison d'une surchauffe ou d'autres facteurs. Si cela se produit, rincez la zone touchée du corps avec de l'eau, et si vos yeux sont affectés, consultez immédiatement un médecin.
- En raison de la chaleur générée pendant la charge, le chargeur ne doit pas être utilisé sur une surface combustible ou dans un environnement inflammable.
- Ne bloquez jamais les fentes d'aération du chargeur.
- Ne démontez jamais la machine vous-même. Un remontage incorrect peut entraîner un risque de choc électrique ou d'incendie.
- Débranchez le chargeur lorsque la machine n'est pas utilisée ou lorsque vous nettoyez la machine.
- N'utilisez que des rallonges homologuées et en parfait état.
- Assurez-vous que la ventilation de l'endroit est suffisante lors de la charge. Une mauvaise ventilation de la charge peut provoquer une température d'utilisation excessive, provoquant un dysfonctionnement du chargeur. Les températures supérieures à 40 °C doivent être évitées.
- Le chargeur ne peut pas être mis dans des armoires fermées ou à proximité de sources de chaleur telles que des radiateurs ou la lumière du soleil, car il subira une chaleur accrue pouvant provoquer un incendie ou endommager le chargeur.
- Si vous n'utilisez pas la batterie pendant une longue période, retirez-la du chargeur et débranchez-la.
- Ne fixez rien sur le chargeur avec des rivets ou des vis. Des rivets ou des vis peuvent rendre inefficace le boîtier isolant. Une étiquette adhésive est plus appropriée, sans boucher les fentes d'aération.
- Chargez uniquement les batteries d'origine.
- Si le cordon d'alimentation est endommagé, faites-le remplacer par un centre de service agréé pour éviter les risques d'accidents.

⚠ AVERTISSEMENT

Pour éviter les risques de dommages et de blessures, assurez-vous de la tension de fonctionnement du chargeur et n'essayez jamais de recharger des batteries non rechargeables..

ASSEMBLAGEE

⚠ AVERTISSEMENT

Ne branchez pas la tronçonneuse au secteur avant qu'elle ne soit complètement assemblée. Utilisez toujours des gants lorsque vous manipulez la chaîne.

ASSEMBLAGE DE LA CHAÎNE ET DU GUIDE-CHAÎNE

La chaîne doit être montée sur le guide-chaîne de telle sorte que les arêtes de coupe des couteaux (a) soient tournées dans le sens de la chaîne.

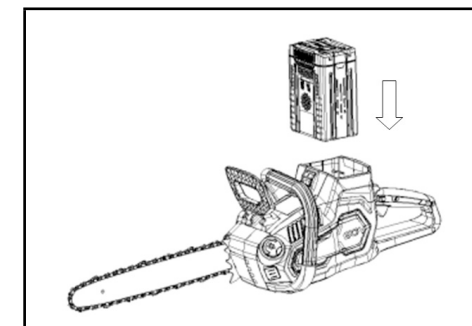


Tenez le guide-chaîne avec le nez vers le haut et placez la chaîne de scie de manière à ce que le pignon du guide-chaîne s'engage dans les maillons de la chaîne et que les sections inférieures des maillons d'entraînement soient situées dans la rainure du guide-chaîne. La chaîne est correctement tendue lorsqu'il est encore possible de la relever de 3-4 mm. Le sens de rotation de la chaîne de scie est indiqué par deux flèches sur le couvercle du pignon d'entraînement.

- Déballez soigneusement toutes les pièces.
- Placez la tronçonneuse sur une surface plane appropriée avec le moteur vers le bas.
- Montez la chaîne sur le pignon d'entraînement et guidez le guide-chaîne. Pour que le boulon de fixation et les deux ailettes de guidage s'insèrent dans la rainure du guide-chaîne. Vérifiez si toutes les pièces sont bien en place et maintenez la chaîne et le guide-chaîne dans une position de niveau.
- Montez le couvercle. Vérifiez que les flèches sont toujours alignées.
- Serrez à la main le bouton de verrouillage sur le boulon de fixation.

- Passez à la « tension de la chaîne

Assemblage de la batterie



Mettez la batterie comme indiqué ci-dessus, en prenant soin de n'appuyer sur aucun bouton pour éviter tout démarrage accidentel.

LUBRIFICATION

⚠ IMPORTANT

La tronçonneuse n'est pas livrée remplie d'huile. Il est indispensable de faire le plein d'huile avant utilisation. N'utilisez jamais la tronçonneuse sans huile pour chaîne ou avec un réservoir d'huile vide, car cela endommagerait considérablement l'appareil.

La durée de vie de la chaîne et la capacité de coupe dépendent d'une lubrification optimale. Par conséquent, la chaîne est automatiquement huilée pendant le fonctionnement via la sortie d'huile.

Remplissage du réservoir d'huile:

1. Placez la tronçonneuse sur n'importe quelle surface appropriée avec le bouchon de remplissage d'huile orienté vers le haut.
2. Nettoyez la zone autour du bouchon de remplissage d'huile avec un chiffon, dévissez le bouchon.
3. Ne retirez pas la cartouche filtrante pendant le remplissage.
4. Ajoutez de l'huile pour tronçonneuse jusqu'à ce que le réservoir soit plein.

- Évitez que de la saleté ou des débris ne pénètrent dans le réservoir d'huile, remettez le bouchon de remplissage d'huile et serrez.

! IMPORTANT

Pour permettre la ventilation du réservoir d'huile, de petits canaux d'aération sont prévus entre le bouchon de remplissage d'huile et le filtre. Pour éviter les fuites, assurez-vous que la machine est laissée en position horizontale vers le haut lorsqu'elle n'est pas utilisée.

Il est important d'utiliser uniquement l'huile recommandée pour éviter d'endommager la tronçonneuse. N'utilisez jamais d'huile recyclée/ancienne. L'utilisation d'huile non approuvée annulera la garantie.

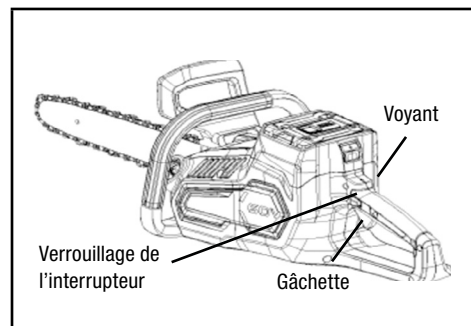
FUNCTIONNEMENT

! IMPORTANT

Vérifiez la tension et l'alimentation en courant : l'alimentation en tension et en courant doit être conforme aux valeurs indiquées sur la plaque signalétique.

Pour allumer la machine, appuyez sur le bouton de verrouillage, puis appuyez à fond sur l'interrupteur marche/arrêt et maintenez-le dans cette position. Le bouton de verrouillage peut maintenant être relâché. Pour éteindre, relâchez l'interrupteur marche/arrêt.

N'arrêtez pas la tronçonneuse après le sciage en activant le protégé-main avant.



Dispositifs de sécurité contre le rebond sur cette tronçonneuse

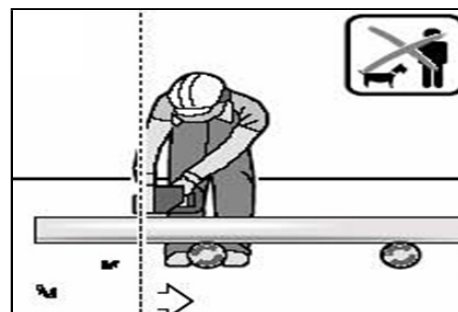
Cette tronçonneuse est dotée d'une chaîne à faible rebond et d'un guide-chaîne à faible rebond. Les deux éléments réduisent les risques de rebond. Un rebond peut toujours se produire avec cette tronçonneuse.

Les étapes suivantes réduiront le risque de rebond.

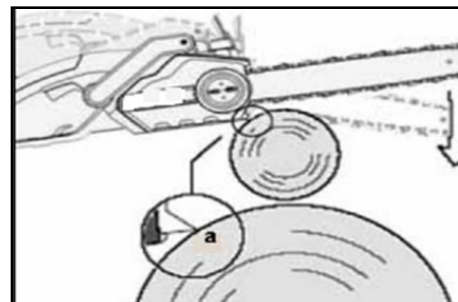
- Utilisez les deux mains pour saisir la tronçonneuse pendant que celle-ci est en marche. Utilisez une prise ferme. Les pouces et les doigts doivent s'enrouler autour des poignées de la tronçonneuse.
- Gardez tous les éléments de sécurité en place sur la tronçonneuse. Assurez-vous qu'ils fonctionnent correctement.
- N'allez pas trop loin et ne coupez pas au-dessus de la hauteur des épaules.
- Gardez un bon appui et un bon équilibre à tout moment.
- Placez-vous légèrement sur le côté gauche de la tronçonneuse. Cela empêche votre corps d'être directement sur le chemin de la chaîne.
- Ne laissez pas le nez du guide-chaîne toucher quoi que ce soit lorsque la chaîne est en mouvement.
- N'essayez jamais de couper deux bûches en même temps. Ne coupez qu'une seule bûche à la fois.
- N'enfoncez pas le nez du guide-chaîne et n'essayez pas de couper en plongée (perçage dans le bois à l'aide du nez du guide-chaîne).
- Faites attention au déplacement du bois ou à d'autres forces qui pourraient pincer la chaîne.
- Soyez extrêmement prudent lorsque vous entrez à nouveau dans une coupe précédente.
- Utilisez la chaîne à faible rebond et le guide-chaîne fournis avec cette tronçonneuse.
- N'utilisez jamais de chaîne émoussée ou lâche. Gardez la chaîne affûtée avec une tension appropriée.

Comportement général

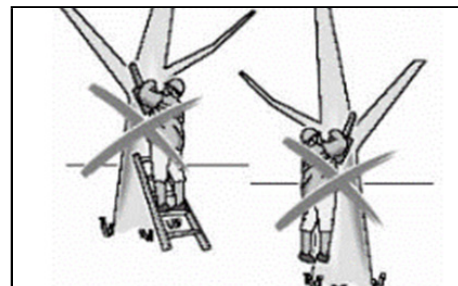
N'utilisez la tronçonneuse qu'avec un appui solide. Tenez la tronçonneuse du côté droit de votre corps



La chaîne doit tourner à pleine vitesse avant d'entrer en contact avec le bois. Utilisez les dents de préhension en métal pour fixer la tronçonneuse sur le bois avant de commencer à couper. Utilisez les dents de préhension comme point de levier « a » pendant la coupe.



N'utilisez pas la tronçonneuse avec les bras complètement étendus et n'essayez pas de scier des zones difficiles d'accès ou sur une échelle. N'utilisez jamais la tronçonneuse au-dessus de la hauteur des épaules.



ENTRETIEN DE LA TRONÇONNEUSE ET SÉCURITÉ CONTRE LES REBONDS

Suivez les instructions d'entretien de ce manuel. Un bon nettoyage de la tronçonneuse et l'entretien de la chaîne et du guide-chaîne peut réduire les risques de rebond. Inspectez et entretenez la tronçonneuse après chaque utilisation. Cela augmentera la durée de vie de votre tronçonneuse.

Remarque: même avec un affûtage approprié, le risque de rebond peut augmenter à chaque affûtage

ENTRETIEN ET STOCKAGE DE LA TRONÇONNEUSE

- Retirez la batterie de la tronçonneuse lorsqu'elle n'est pas utilisée.
- Avant de se déplacer d'un endroit à un autre avant l'entretien
- Avant de changer d'accessoires ou d'accessoires, tels que la chaîne de scie et la protection
- Inspectez la tronçonneuse avant et après chaque utilisation. Vérifiez attentivement la tronçonneuse si la protection ou une autre pièce a été endommagée.
- Vérifiez qu'il n'y a pas de dommages pouvant affecter la sécurité de l'opérateur ou le fonctionnement de la tronçonneuse. Vérifiez l'alignement ou la liaison des pièces mobiles. Vérifiez les pièces cassées ou endommagées. N'utilisez pas la tronçonneuse si les dommages affectent la sécurité ou le fonctionnement. Faites réparer les dommages par un centre de service agréé.
- Entretenez la tronçonneuse avec soin. • N'exposez jamais la tronçonneuse à la pluie.
- Gardez la chaîne affûtée, propre et lubrifiée pour de meilleures performances plus sécuritaires.
- Suivez les étapes décrites dans ce manuel pour affûter la chaîne.
- Gardez les poignées sèches, propres et exemptes d'huile et de graisse.
- Maintenez toutes les vis et écrous serrés.
- Lors de l'entretien, utilisez uniquement des pièces de rechange identiques.
- Lorsqu'elle n'est pas utilisée, rangez toujours la tronçonneuse dans un endroit élevé ou verrouillé, hors de portée des enfants dans un endroit sec

Remplacement de la chaîne de scie/barre de chaîne

- Remplacez la chaîne lorsque les couteaux sont trop usés pour être affûtés ou lorsque la chaîne se casse. Utilisez uniquement la chaîne de remplacement indiquée dans ce manuel. Incluez toujours un nouveau pignon d'entraînement lors du remplacement de la chaîne. Cela permettra de maintenir un bon entraînement de la chaîne.
- Inspectez le guide-chaîne avant d'affûter la chaîne. Un guide-chaîne usé ou endommagé est dangereux. Un guide-chaîne usé ou endommagé endommagera la chaîne. Cela rendra également la coupe plus difficile.
- Montez le loquet de tension dans la nouvelle barre en serrant la vis dans le sens des aiguilles d'une montre. La saillie du loquet (a) doit être insérée dans le trou de la barre.

AFFÛTAGE DE LA CHAÎNE DE SCIE

AVERTISSEMENT

Retirez la batterie de la tronçonneuse avant l'entretien. Des blessures graves ou mortelles peuvent survenir en cas de contact du corps avec la chaîne en mouvement.

AVERTISSEMENT

Les arêtes de coupe de la chaîne sont coupantes. Utilisez des gants de protection lors de la manipulation de la chaîne.

Gardez la chaîne affûtée. Votre tronçonneuse coupera plus rapidement et en toute sécurité. Une chaîne émoussée entraînera une usure excessive du pignon, du guide-chaîne, de la chaîne et du moteur. Si vous devez forcer la chaîne dans le bois et que la coupe ne crée que de la sciure avec quelques gros copeaux, la chaîne est émoussée.

Veuillez contacter un agent du service client ou un agent de service agréé pour l'affûtage..

CHARGEUR DE BATTERIE

CARACTÉRISTIQUES

Chargeur: C8360/C8362

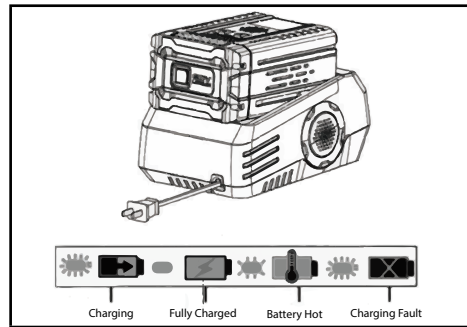
Entrée : 120-240 V AC, 50/60 Hz, 3 A max.

Sortie : 63 V DC, 4,5 A max.

Poids : 2,6 lb (1,2 kg)

PROCÉDURE DE CHARGE (Voir Figure 7)

REMARQUE: la batterie n'est pas expédiée complètement chargée. Il est recommandé de la charger complètement avant la première utilisation pour garantir une durée de fonctionnement maximale. Cette batterie lithium-ion ne développera pas de mémoire et pourra être rechargée à tout moment.



LED STATUS	LA DESCRIPTION
Vert clignotant	Charge en cours
Vert fixe	Entièrement chargé
Rouge fixe	Veille
Rouge clignotant (rapide)	Défaut de charge
Rouge clignotant (lent)	Batterie en surchauffe

Remarque sur les faux défauts:

Lorsque la batterie est insérée dans le chargeur et que la LED d'état clignote en ROUGE, retirez la batterie du chargeur pendant 1 minute, puis réinsérez-la. Si la LED d'état clignote en VERT, la batterie se charge correctement. Si la LED d'état clignote toujours en ROUGE, retirez la batterie et débranchez le chargeur pendant 1 minute. Après 1 minute, branchez le chargeur et réinsérez la batterie. Si la LED d'état clignote en VERT, la batterie se charge correctement. Si la LED d'état

clignote toujours en ROUGE, la batterie est défectueuse et doit être remplacée.

VÉRIFICATION DE LA CHARGE

Si la batterie ne se charge pas correctement :

Vérifiez le courant à la prise de courant avec un autre outil. Assurez-vous que la prise n'est pas éteinte.

Vérifiez que les contacts du chargeur n'ont pas été court-circuités par des débris ou des corps étrangers.

Si la température de l'air est supérieure à 104 °F ou inférieure à 45 °F, déplacez le chargeur et la batterie dans un endroit à température ambiante.

AVERTISSEMENT

Si la batterie est insérée dans le chargeur lorsqu'elle est tiède ou chaude, le voyant LED DE CHARGE du chargeur peut s'allumer en ROUGE. Si cela se produit, laissez la batterie refroidir à l'intérieur du chargeur pendant 30 minutes. La charge devrait démarrer automatiquement une fois la batterie refroidie.

MONTAGE DU CHARGEUR

1. Ce chargeur peut être fixé au mur à l'aide de deux vis #8 (non incluses).
2. Localisez l'emplacement du chargeur à fixer au mur.
3. Si vous le fixez à des montants en bois, utilisez deux vis à bois (non incluses).
4. Percez deux trous au centre à 5,5 pouces l'un de l'autre en vous assurant qu'ils soient alignés verticalement.
5. En cas de fixation sur des cloisons sèches, utilisez des chevilles murales (non incluses) et des vis pour fixer le chargeur au mur.

Remarque : si la batterie et le chargeur ne seront pas utilisés pendant une longue période, retirez la batterie du chargeur et débranchez la prise d'alimentation CA.

ENTRETIEN

AVERTISSEMENT

Afin d'éviter les blessures et les risques d'incendie et de choc électrique, retirez la batterie avant de régler, d'inspecter ou de nettoyer le souffleur.

Nettoyage

Retirez la batterie.

- Brossez ou soufflez la poussière et les débris hors des bouches d'aération à l'aide d'air comprimé ou d'un aspirateur. Gardez les bouches d'aération exemptes d'obstructions, de sciure de bois et de copeaux de bois. Ne vaporisez, ne lavez ou n'immergez pas les bouches d'aération dans l'eau.
- Essuyez le boîtier et les composants en plastique à l'aide d'un chiffon humide et doux. N'utilisez pas de solvants ou de détergents puissants sur le boîtier en plastique ou les composants en plastique. Certains produits de nettoyage ménagers peuvent causer des dommages et un risque d'électrocution.

Batterie

- Rangez la batterie une fois celle-ci complètement chargée.
- Une fois que le voyant du chargeur devient vert fixe, retirez la batterie du chargeur et débranchez le chargeur de la prise.
- Ne stockez pas la batterie sur l'outil.
- Après la charge, la batterie peut être stockée dans le chargeur, tant que le chargeur n'est pas branché.

Entretien du chargeur

Gardez le chargeur propre et exempt de débris. Ne laissez pas de corps étrangers pénétrer dans la cavité encastrée ou sur les contacts. Essuyez le chargeur avec un chiffon doux et sec. N'utilisez pas de solvants ou d'eau et ne placez pas le chargeur dans des conditions humides.

Débranchez le chargeur lorsqu'il n'y a pas de batterie dedans.

Chargez complètement les batteries avant de les ranger.

Conservez le chargeur à température ambiante normale. Ne le stockez pas dans une chaleur excessive. N'utilisez pas le chargeur en plein soleil. Rechargez à température ambiante entre 45 °F et 104 °F (7 °C et 40 °C). Si la

batterie est chaude, laissez-la refroidir à l'intérieur du chargeur. La batterie commencera à se charger une fois qu'elle sera revenue à température ambiante.

ÉLIMINATION DE LA BATTERIE RESPECTUEUSE DE L'ENVIRONNEMENT

AVERTISSEMENT

Les matériaux toxiques et corrosifs suivants se trouvent dans les batteries utilisées dans ce souffleur Batterie : Lithium-Ion, un matériau toxique.

AVERTISSEMENT

Tous les matériaux toxiques doivent être éliminés d'une manière spécifiée pour éviter la contamination de l'environnement. Avant de mettre au rebut des batteries au lithium-ion endommagées ou usées, contactez votre agence locale d'élimination des déchets ou l'agence locale de protection de l'environnement pour obtenir des informations et des instructions spécifiques. Apportez les batteries à un centre de recyclage et/ou d'élimination local, certifié pour l'élimination du lithium-ion.

AVERTISSEMENT

Si la batterie se fissure ou se brise, avec ou sans fuite, ne la rechargez pas et ne l'utilisez pas. Éliminez-la et remplacez-la par une nouvelle batterie.

N'ESSAYEZ PAS DE LA RÉPARER !

Pour éviter les blessures et les risques d'incendie, d'explosion ou de choc électrique, et pour éviter d'endommager l'environnement :

- Couvrez les bornes de la batterie avec du ruban adhésif résistant.

- N'essayez PAS de retirer ou de détruire l'un des composants de la batterie.

- N'essayez PAS d'ouvrir la batterie.

- Si une fuite se développe, les électrolytes libérés sont corrosifs et toxiques. NE mettez PAS la solution dans les yeux ou sur la peau et ne l'avalez PAS.

- NE placez PAS la batterie dans vos ordures ménagères ordinaires.

- NE l'incinerez PAS.

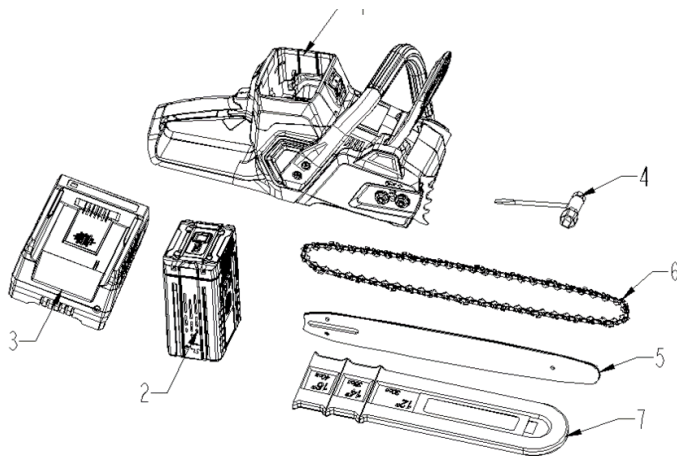
- NE jetez PAS la batterie là où elle fera partie d'une décharge de déchets ou d'un flux de déchets urbains solides.

- Apportez-la à un centre de recyclage ou d'élimination certifié.

DÉPANNAGE

PROBLÈME	CAUSE POSSIBLE	SOLUTION
Le moteur ne démarre pas lorsque la gâchette est enfoncée.	La batterie n'est pas sécurisée.	Pour fixer la batterie, assurez-vous que les loquets sur le dessus de la batterie s'enclenchent.
	La batterie n'est pas chargée.	Chargez la batterie conformément aux instructions fournies avec votre modèle.
	Vérifiez que le frein d'urgence n'est pas en position de travail.	Poussez le frein d'urgence en position de travail.
Pas de lubrifiant pour le guide et la chaîne.	1. Vérifiez si le tube est bloqué. 2. Vérifiez s'il y a des impuretés dans le réservoir d'huile bloquant le tuyau d'admission.	1. Retirez les copeaux de bois du tube. 2. Retirez les débris du réservoir.
Vitesse de coupe lente.	La chaîne n'est pas coupante.	1. Remplacez la chaîne.
La chaîne est trop longue.	Composants de tension non réglés.	Ajustez les composants de tension pour s'adapter à la longueur de la chaîne.
L'indicateur LED de l'outil clignote 1 à 19 fois, le moteur ne démarre pas.	Défaut du contrôleur de moteur, ou surchauffe, ou batterie faible, ou surcharge, etc.	1. Relâchez la gâchette et redémarrez la machine après 3 à 5 s ; ou 2. Arrêtez le fonctionnement et laissez refroidir l'outil, ou chargez la batterie ; ou 3. Nettoyez régulièrement les copeaux de bois et les débris de l'entrée et de la sortie d'air.

VUE ÉCLATÉE



Numéro	Numéro de pièce	Nom de la pièce	Quantité
1	2818120001	Composants hôte	1
2	2830210006	Batterie	1
3	2836110002	Chargeur	1
4	58180000009001	Clé	1
5	2818030001	Lame de 16'	1
6	2818030002	Chaîne de 16'	1
7	2818030003	Protecteur de lame de 16'	1

GARANTIE ET RETOURS

Retours

Nous offrons une garantie de remboursement de 30 jours sans équivoques pour toutes les marchandises expédiées correctement qui ne sont pas nécessaires. L'acheteur sera responsable des frais de retour et d'emballage et tous les frais d'expédition d'origine ne sont pas remboursables. Les marchandises doivent être retournées dans un état approprié à la revente et, si possible, doivent être retournées dans leur emballage d'origine.

Les marchandises qui sont fabriquées spécifiquement pour une commande et expédiées correctement ne peuvent pas être retournées.

Si le mauvais article est reçu, il incombe à l'acheteur de nous en informer par écrit dans les 7 jours suivant la réception. Des dispositions seront alors prises pour que l'article incorrect soit récupéré et qu'un article de remplacement soit expédié.

Conditions de garantie

Chez Warrior, nous comprenons l'importance de la garantie pour le service et la réparation, nous offrons une garantie standard de 3 ans (outils uniquement) et 1 an (batterie uniquement) sans qu'il soit nécessaire d'enregistrer votre achat.

Veillez consulter les limitations ci-dessous et lire les conditions générales complètes concernant la garantie offerte sur un produit particulier.

Tout ce dont nous avons besoin est soit une copie de la preuve d'achat originale, soit une facture fournie par le détaillant au moment de l'achat pour permettre la réclamation. Veuillez conserver votre preuve d'achat en lieu sûr pendant la durée de vos conditions, dans le cas où vous auriez besoin de notre support technique, nous vous demanderons de le fournir sur chaque réclamation, AUCUNE preuve d'achat, aucune réclamation au titre de la garantie ne sera retardée ou rejetée.

Les frais de transport de tout produit ou pièce(s) soumis pour réparation ou remplacement en vertu de cette garantie sont à la charge exclusive de l'acheteur. Cette garantie s'applique uniquement à l'acheteur original et n'est pas transférable.

Ne retournez pas l'unité au lieu d'achat

Contactez le support technique et nous résoudrons tout problème par téléphone ou par e-mail. Si le problème n'est pas résolu par cette méthode, nous autoriserons, à discrétion, une évaluation, une réparation ou un remplacement du produit, des pièces ou des composants défectueux dans notre propre atelier de centre de service. Si et quand un produit doit être remplacé, dans la plupart des cas, ce sera sur une base comparable et non pas un ancien pour un nouveau. Nous vous fournirons un numéro de dossier pour le service de garantie et cela peut être contrôlé via votre compte de connexion. Veuillez le conserver pour référence future. Les réparations ou les remplacements sans autorisation préalable, ou dans un centre de réparation non autorisé, ne seront pas couverts par cette garantie. Nous avons des exclusions de garantie pour les clients en dehors du Royaume-Uni, veuillez consulter nos conditions générales complètes.

Exclusions de Garantie

CETTE GARANTIE NE COUVRE PAS CE QUI SUIV :

USURE NORMALE

Votre produit a besoin de pièces et d'un service périodique pour bien fonctionner. Cette garantie ne couvre pas la réparation lorsque l'utilisation normale a épuisé la durée de vie d'une pièce ou de l'équipement dans son ensemble.

INSTALLATION, UTILISATION ET ENTRETIEN

Cette garantie sera annulée et (ou) ne s'appliquera pas aux pièces ou à la main-d'œuvre si votre produit est réputé avoir été mal utilisé, négligé, impliqué dans un accident, abusé, surchargé au-delà des limites, modifié, installé de manière incorrecte ou connecté de manière incorrecte à tout composant ou système de charge de la batterie. L'entretien normal n'est pas couvert par cette garantie.

Autres exclusions

Cette garantie exclut :

Défauts cosmétiques tels que peinture, décalcomanies, autocollants ou outils accessoires

Pièces de rechange, y compris les lames, les cordes, les chaînes, les barres ou les sacs

Tout composant électrique autre que l'unité de commande principale comme les fusibles, les connecteurs, les cadrans, les boutons ou les leviers.

Les défaillances dues à des cas fortuits et à d'autres événements de force majeure indépendants de la volonté du fabricant

Problèmes causés par des pièces qui ne sont pas d'origine

Altération ou modification(s) apportée(s) par toute partie autre que le fabricant

Tout équipement électrique tiers

Toutes les piles fournies ont plus d'un an.

Limites de la garantie implicite et des dommages indirects

BPE Holdings (Warrior Eco Power Equipment) décline toute obligation de couvrir toute perte de temps, d'utilisation de ce produit, de fret ou tout coût de réclamation accessoire ou consécutif par toute personne utilisant ce produit.

CETTE GARANTIE REMPLACE TOUTES LES AUTRES GARANTIES, EXPRESSES OU IMPLICITES, Y COMPRIS LES GARANTIES DE QUALITÉ MARCHANDE OU D'ADAPTATION À UN USAGE PARTICULIER.

Une unité fournie en échange sera soumise à la garantie de l'unité d'origine. La durée de la garantie de l'unité échangée restera calculée par référence à la date d'achat de l'unité d'origine. Cette garantie vous donne certains droits légaux qui peuvent changer d'un pays à l'autre. Votre pays peut également avoir d'autres droits auxquels vous pourriez avoir droit et qui ne sont pas répertoriés dans cette garantie.

PRODUKTSPECIFIKATIONER

LITIUM-JON LÖSNAD KEDJE SAG	
Type	sladdlös batteridrivnen
Spänning	60Vdc
Batteripaket	BP8302
Guide bar	16" Bar: AP16-56-507P/ Kangxin; 160SDEA041/ Oregon; M1431657-1041TL/ Trilink
Sågkedja	16" Chain: 3/8.050X56DL/Kangxin; 91PX057/ Oregon; CL14357TL/ Trilink



LITIUM-JON LÖSNAD KEDJE SAG

SPARA DESSA INSTRUKTIONER. Denna bruksanvisning innehåller viktiga säkerhetsåtgärder som ska läsas och förstås innan produkten används. Underlåtenhet att göra detta kan leda till allvarliga personskador. Denna bruksanvisning bör förbli hos produkten.
Specifikationer, beskrivningar och illustrationer i denna bruksanvisning är så exakta som möjligt vid tidpunkten för publicering, men kan ändras utan föregående meddelande.

ALLMÄNNA SÄKERHETSREGLER



WARNING

Läs alla säkerhetsvarningar och anvisningar.

Underlåtenhet att följa varningarna och instruktionerna kan leda till elektrisk stöt, brand och / eller allvarlig personskada.

Spara alla varningar och instruktioner för framtida referens.

Termen "elverktyg" i varningarna avser ditt elnätverk (sladd) elverktyg eller batteridrivet (sladdlöst) elverktyg.

1) Säkerhet på arbetsområdet

- a) Håll arbetsområdet rent och väl upplyst. Ruttiga eller mörka områden inbjuder till olyckor.
- b) Använd inte elverktyg i explosiva atmosfärer, t.ex. i närvaro av brandfarliga vätskor, gaser eller damm. Elverktyg skapar gnistor som kan antända damm eller ångor.
- c) Håll barn och åskådare borta när du använder ett elverktyg. Distractioner kan leda till att du tappar kontrollen.

2) Elsäkerhet

- a) Elverktyspluggar måste matcha uttaget. Ändra aldrig kontakten på något sätt. Använd inga adapterkontakter med jordade (jordade) elverktyg. Omodifierade pluggar och matchande uttag minskar risken för elektriska stötar.
- b) Undvik kroppskontakt med jordade eller jordade ytor som rör, radiatorer, områden och kylskåp. Det finns en ökad risk för elektrisk chock om din kropp är jordad eller jordad.
- c) Utsätt inte elverktyg för regn eller våta förhållanden. Vatten som kommer in i ett elverktyg ökar risken för elektriska stötar.
- d) Missa inte sladden. Använd aldrig sladden för att bära, dra eller koppla ur elverktyg. Håll sladden borta från värme, olja, vassa kanter eller rörliga delar. Skadade eller intrasslade sladdar ökar risken för elektrisk stöt.
- e) När du använder ett elverktyg utomhus, använd en förlängningssladd som är lämplig för utomhusbruk.

Användning av en sladd som är lämplig för utomhusbruk minskar risken för elektrisk stöt.

f) Om man inte kan undvika att använda ett elverktyg på en fuktig plats, ska man använda en RCD-skyddad matning. Användning av en RCD minskar risken för elektriska stötar.

3) Personlig säkerhet

- a) Var uppmärksam, se vad du gör och använd sunt förnuft när du använder ett elverktyg. Använd inte ett elverktyg medan du är trött eller påverkas av droger, alkohol eller medicinering. Ett ögonblick av ouppmärksamhet när du använder elverktyg kan leda till allvarlig personskada.
 - b) Använd personlig skyddsutrustning. Bär alltid ögonskydd. Skyddsutrustning som dammmaske, skyddsskor som inte är slipade, hård hatt eller hörselskydd som används vid lämpliga förhållanden minskar personskador.
 - c) Förhindra oavsiktlig start. Se till att omkopplaren är i off-position innan du ansluter till strömkällan och / eller batteripaketet, plockar upp eller bär verktyget. Att bära elverktyg med fingret på strömbrytaren eller spänningseffektiva elverktyg som har strömbrytaren inbjuder till olyckor.
 - d) Ta bort justeringsnyckeln eller skiftnyckeln innan du slår på elverktyg. En skiftnyckel eller en nyckel kvar i en roterande del av elverktyg kan leda till personskador.
 - e) Överskrid inte. Håll rätt fot och balans hela tiden. Detta möjliggör bättre kontroll av elverktyg i oväntade situationer.
 - f) Klä dig ordentligt. Bär inte lösa kläder eller smycken. Håll hår, kläder och handskar borta från rörliga delar. Lösa kläder, smycken eller långt hår kan fångas i rörliga delar.
 - g) Om enheter finns för anslutning av dammutvinning och uppsamlingsanläggningar, se till att dessa är anslutna och används korrekt. Användning av dammsamling kan minska dammrelaterade faror.
- ### 4) Användning och skötsel av elverktyg
- a) Tvinga inte elverktyg. Använd rätt elverktyg för din applikation. Rätt elverktyg kommer att göra jobbet bättre och säkrare med den hastighet som det utformades för.
 - b) Använd inte elverktyg om brytaren inte slår på och stänger av den. Allt elverktyg som inte kan styras med omkopplaren är farligt och måste repareras.

c) Koppla bort kontakten från strömkällan och / eller batteripaketet från elverktyg innan du gör justeringar, byter tillbehör eller förvarar elverktyg. Sådana förebyggande säkerhetsåtgärder minskar risken för att starta elverktyg av misstag.

d) Förvara lediga elverktyg utom räckhåll för barn och låt inte personer som inte känner till elverktyg eller dessa instruktioner använda elverktyg.

Elverktyg är farliga i händerna på otränade användare.

e) Underhåll elverktyg. Kontrollera för felinställning eller bindning av rörliga delar, brott i delar och annat tillstånd som kan påverka elverktygets drift. Om det är skadat, ska elverktyg repareras före användning. Många olyckor orsakas av dåligt underhållna elverktyg.

f) Håll skärverktygen skarpa och rena. Korrekt underhållna skärverktyg med skarpa skärkanter är mindre benägna att binda och är lättare att kontrollera.

g) Använd elverktyg, tillbehör och verktygsbitar etc. i enlighet med dessa instruktioner och på det sätt som är avsett för den specifika typen av elverktyg, med hänsyn till arbetsförhållandena och det arbete som ska utföras. Användning av elverktyg för operationer som inte är avsedda kan leda till en farlig situation.

5) Användning och skötsel av batteriverktyg

- a) Ladda bara med den laddare som anges av tillverkaren. En laddare som är lämplig för en typ av batteripaket kan skapa brandrisk när den används med ett annat batteripaket.
 - b) Använd bara elverktyg med specifikt angivna batteripaket. Användning av andra batteripaket kan skapa risk för brand och brand.
 - c) När batteripaketet inte används ska du hålla det borta från andra metallföremål, som pappersklipp, mynt, nycklar, spikar, skruvar eller andra små metallföremål som kan göra en anslutning från en terminal till en annan. Genom att kortsluta batteripolarna kan det orsaka brännskador eller brand.
 - d) Under kränkande förhållanden kan vätska matas ut från batteriet; Undvik kontakt. Skölj med vatten vid kontakt av misstag. Om vätska kommer i kontakt med ögonen, söka läkarhjälp. Vätska som matas ut från batteriet kan orsaka irritation eller brännskador..
- ### 6) Service
- a) Låt ditt elverktyg servas av en kvalificerad reparationsperson med endast identiska reservdelar. Detta säkerställer att elverktygets säkerhet upprätthålls.

Säkerhetsvarningar för motorsåg

1. Håll alla kroppsdelar borta från sågkedjan när motorsågen är i drift. Innan du startar motorsågen, se till att sågkedjan inte kommer i kontakt med någonting. Ett ögonblick av ouppmärksamhet när man använder kedjesåg kan orsaka intrassling av dina kläder eller kropp med sågkedjan.
2. Håll alltid motorsågen med din högra hand på det bakre handtaget och din vänstra hand på det främre handtaget. Om du håller motorsågen med en omvänd handkonfiguration ökar risken för personskada och bör aldrig göras.
3. Håll elverktyg endast i isolerade gripytor, eftersom sågkedjan kan komma i kontakt med dolda ledningar. Sågkedjor som kommer i kontakt med en "live" tråd kan göra utsatta metalldelar av elverktyg "live" och kan ge föraren en elektrisk stöt.
4. Använd skyddsglasögon och hörselskydd. Ytterligare skyddsutrustning för huvud, händer, ben och fötter rekommenderas. Lämpliga skyddskläder minskar personskador genom flygande skräp eller oavsiktlig kontakt med sågkedjan.
5. Använd inte en motorsåg i ett träd. Användning av en motorsåg när du är uppe i ett träd kan leda till personskador.
6. Håll alltid rätt fot och kör motorsågen endast när du står på en fast, säker och plan yta. Hala eller instabila ytor som stegar kan orsaka förlust av balans eller kontroll av motorsågen.
7. När du skär ett lem som är under spänning, var uppmärksam på fjädern. När spänningen i träfibrer släpps kan den fjäderbelastade lemman träffa operatören och / eller kasta motorsågen ur kontroll.
8. Var mycket försiktig när du klipper borste och plantor. Det smala materialet kan fånga sågkedjan och piskas mot dig eller dra dig ur balans.
9. Bär motorsågen i det främre handtaget med motorsågen avstängd och borta från kroppen. Vid transport eller förvaring av motorsågen ska du alltid använda styrskenans lock. Korrekt hantering av motorsågen minskar sannolikheten för oavsiktlig kontakt med den rörliga sågkedjan.
10. Följ instruktionerna för smörjning, kedjespänning och byte av tillbehör. Felaktigt spänd eller smord kedja kan antingen bryta eller öka chansen för kickback.
11. Håll handtagen torra, rena och fria från olja och fett. Fet, oljiga handtag är hala och orsakar förlust av kontroll.
12. Klipp bara trä. Använd inte motorsåg för ändamål som inte är avsedda. Till exempel: använd inte motorsåg

för skärning av byggnadsmaterial av plast, murverk eller trä. Användning av motorsågen för andra operationer än avsedd kan leda till en farlig situation.

Orsaker och operatörs förebyggande av kickback:

Kickback kan uppstå när näsan eller spetsen på styrskenan berör ett föremål, eller när träet stängs in och klämmer sågkedjan i snittet.

Tippkontakt kan i vissa fall orsaka en plötslig omvänd reaktion, sparka styrskenan uppåt och bakåt mot operatören.

Klämning av sågkedjan längs toppen av styrskenan kan pressa styrskenan snabbt tillbaka mot operatören.

Endera av dessa reaktioner kan leda till att du tappat kontrollen över sågen vilket kan leda till allvarig personskada. Lita inte enbart på de säkerhetsanordningar som är inbyggda i din såg. Som motorsåganvändare bör du vidta flera steg för att hålla dina skärbete fria från olyckor eller skador. Kickback är resultatet av missbruk av verktyg och / eller felaktiga procedurer eller förhållanden och kan undvikas genom att vidta lämpliga försiktighetsåtgärder enligt nedan:

- Håll ett fast grepp, med tummar och fingrar som omger kedjesåghandtagen, med båda händerna på sågen och placera din kropp och arm så att du kan motstå motståndskraft. Kickback-krafter kan styras av operatören om lämpliga försiktighetsåtgärder vidtas. Släpp inte motorsågen.
- Sträck inte över och klipp inte över axelhöjden. Detta hjälper till att förhindra oavsiktlig spetskontakt och möjliggör bättre kontroll av motorsågen i oväntade situationer.
- Använd endast utbyttestänger och kedjor som anges av tillverkaren. Felaktiga utbyttestänger och kedjor kan orsaka kedjeskador och / eller kickback.
- Följ tillverkarens skärnings- och underhållsinstruktioner för sågkedjan. Att minska djupmätarens höjd kan leda till ökad kickback.

FELLING A TREE

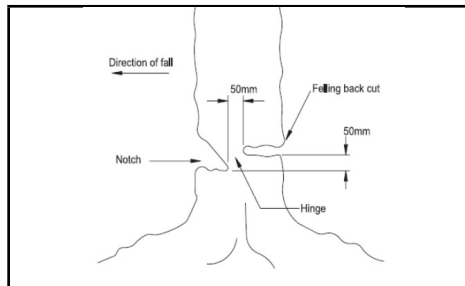
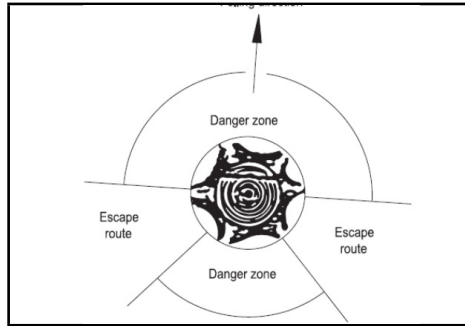
När bocknings- och avverkningsoperationer utförs av två eller flera personer samtidigt, bör avverkningsoperationerna separeras från bockningsoperationen med ett avstånd på minst två gånger höjden på trädet som fälls. Träd bör inte fällas på ett sätt som skulle äventyra någon person, slå någon brukslinje eller orsaka skada på egendom. Om trädet

tar kontakt med någon verktygslinje, bör företaget omedelbart meddelas.

Kedjesågoperatören bör hålla sig på uppförsidan av terrängen eftersom trädet troligen kommer att rulla eller glida neråt efter att det har fällits.

En rymningsväg bör planeras och rensas vid behov innan nedskärningarna påbörjas. Flyktvägen bör sträcka sig tillbaka och diagonalt till baksidan av den förväntade falllinjen såsom illustreras i figur 3. Innan fällningen påbörjas bör du tänka på trädets naturliga mager, större grenars placering och vindriktningen för att bedöma vilket sätt trädet kommer att falla.

Ta bort smuts, stenar, lösa bark, spikar, häftklamrar och tråd från trädet.



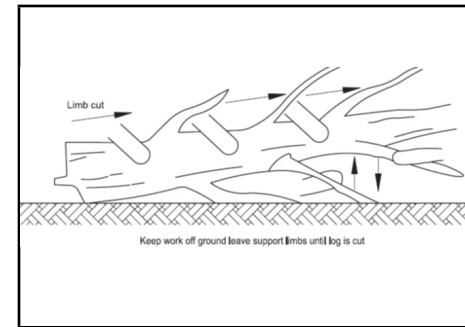
Inskärning underskärning - Gör skåran 1/3 av trädets diameter, vinkelrätt mot fallriktningen, som illustreras i figur 4. Gör först det nedre horisontella skåran. Detta hjälper till att undvika klämning av sågkedjan eller styrskenan när det andra skåran görs. Felling Back Cut - Gör det avverkannde skåret minst 50 cm högre än det horisontella skåran som visas i figur 4. Håll avskärningen parallellt med den horisontella skåran. Gör avskärningen så att det finns tillräckligt med trä kvar för att fungera som ett gångjärn. Gångjärnet hindrar trädet från att vrida sig och falla i fel riktning. Skär inte igenom

gångjärnet. När fällningskuret kommer nära gångjärnet bör trädet börja falla.

Om det finns någon risk att trädet inte faller i önskad riktning eller om det kan gunga tillbaka och binda sågkedjan, sluta klippa innan avverkningen är färdig och använd kilar av trä, plast eller aluminium för att öppna skåret trädet längs den önskade falllinjen.

När trädet börjar falla, ta bort motorsågen från skåret, stoppa motorn, lägg ner motorsågen och använd sedan den planerade reträttvägen. Var uppmärksam på att överluftande lemmar faller och se på foten.

Klättra ett träd - Klättring tar bort grenarna från ett fallet träd. När du limperar, lämna större undre extremiteter för att stödja stocken från marken. Ta bort de små lemmarna i ett snitt som illustreras i figur 5. Grenar under spänning ska skäras från botten och upp för att undvika att binda motorsågen.



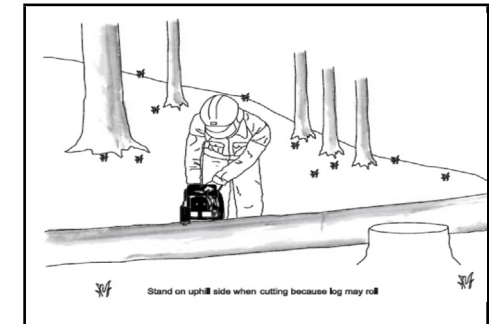
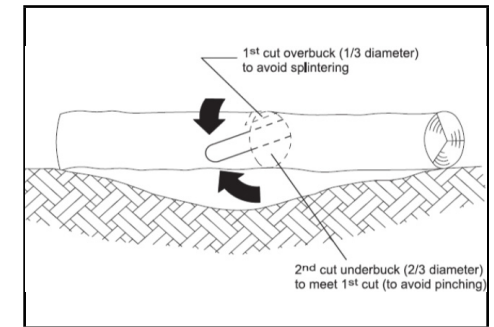
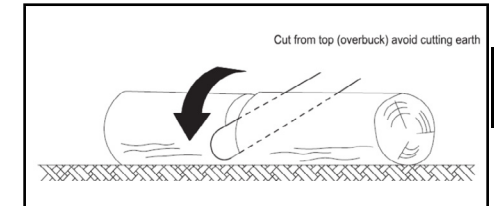
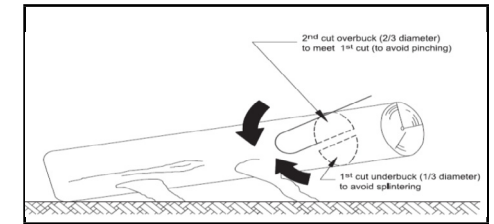
Bucking en log - Bucking skär en logg i längder. Det är viktigt att se till att foten är fast och att din vikt är jämnt fördelad på båda fötterna. När det är möjligt bör stocken höjas och stöds av användning av lemmar, stockar eller klossar. Följ de enkla anvisningarna för enkel skärning.

När stocken stöds på hela sin längd, såsom illustreras i figur 6, skärs den uppifrån (över pengar).

När stocken stöds i ena änden, som illustreras i figur 7, skär 1/3 diametern från undersidan (under spännen). Gör sedan det färdiga snittet med överbockning för att möta det första snittet. När loggen stöds i båda ändarna, såsom illustreras i figur 8, skär 1/3 av den diametern uppifrån över spännen. Gör sedan det färdiga snittet genom att undervisa de undre 2/3 för att möta den första skärningen. När du bockar i en sluttning ska du alltid stå på uppförsidan av stocken, som illustreras i figur 9. När du "skär igenom", för att upprätthålla fullständig kontroll, frigör du skärtrycket











nära slutet av snittet utan att koppla av greppet på motorsåghandtagen.

Låt inte kedjan kontakta marken. När du har slutfört snittet, vänta tills sågkedjan stannar innan du flyttar motorsågen. Stanna alltid motorn innan du flyttar från träd till träd.

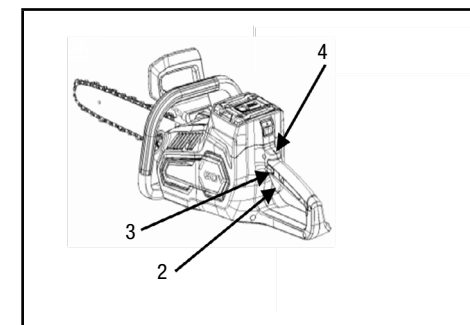
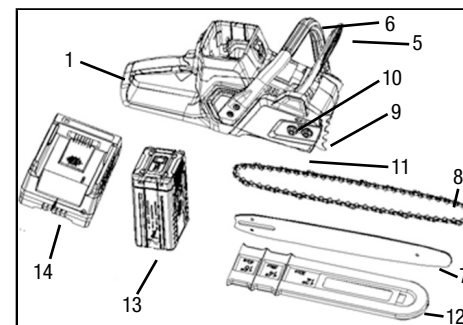


SYMBOLER

Vissa av följande symboler kan användas på den här produkten. Studera dem och lär dig deras betydelse. Korrekt tolkning av dessa symboler gör att du kan använda produkten bättre och säkrare.

SYMBOLER	MENANDE
	Warning / Advertencia / Varning
	Läs och följ alla säkerhetsåtgärder i bruksanvisningen. Underlåtenhet att följa instruktionerna kan leda till allvarlig personskada.
 	Skyddsglasögon / visir, skyddshjälm och hörselskydd
	Utsätt inte för regn.
	Kontakt med styrskenans spets med något föremål bör undvikas
	Tipskontakt kan leda till att styrfältet plötsligt rör sig uppåt och bakåt, vilket kan orsaka allvarlig skada för användaren.
	Använd inte en handen när du använder motorsågen. Använd alltid två händer när du använder motorsågen.
	Keep Bystanders Away. Håll alla åskådare minst 50 fot borta.
	Handskar. Använd halkfria, tunga handskar.

EXPLODERAD DIAGRAM



1. Bakre handtag	2. På / Av knapp
3. Lås av knappen	4. LED-indikator
5. handskydd	6. Främre handtag
7. Kedjestång	8. Kedja
9. Gripande tänder	10. Låsningknapp / Kedjespänningsringsknapp
11. Täckplatta	12. Bladskyddskåpa
13. Batteripaket	14. Laddare

SPECIFIKA SÄKERHETSINSTRUKTIONER

⚠ WARNING

: Ta alltid bort batteriet från maskinen för att montera eller demontera delar, gör justeringar och skärpa, rengöra eller när du inte använder ditt verktyg. Detta minskar risken för oavsiktlig start av maskinen vilket kan orsaka allvarliga skador.

- Ladda batteriet på din maskin med den laddare som anges av tillverkaren. En laddare som är lämplig för en viss typ av batteri kan orsaka brand när den används med en annan typ.
- Batteriet ska inte krossas. Om den krossas ska den inte värmas eller förbrännas, får den inte kortslutas eller demonteras eller nedsänks i någon vätska.
- Endast en viss typ av batteri kan användas med en trådlös maskin. Användning av något annat batteri kan orsaka brand.
- När batteriet inte används ska du hålla det borta från metallföremål som gem, mynt, nycklar, skruvar, spikar eller andra föremål som förbinder kontakterna mellan dem. Kortslutningen kan orsaka brand och / eller explosion av den och orsaka allvarliga brännskador och skador.
- Undvik kontakt med vätska från ett läckande batteri på grund av överhettning eller andra faktorer. Om detta händer, spola det drabbade området i kroppen med vatten, och om dina ögon påverkas, kontakta omedelbart läkare.
- På grund av värmen som genereras under laddning bör laddaren inte användas på en brännbar yta eller i brandfarlig miljö. Blockera aldrig laddarens luftspår.
- Demontera aldrig maskinen själv. Felaktig montering kan orsaka risk för elektrisk stöt eller brand.
- Koppla ur laddaren när maskinen inte används eller när du rengör maskinen.
- Använd endast godkända förlängningsladdare och i perfekt skick.
- Se till att platsen är tillräckligt vid laddning. Dålig ventilation av laddningen kan orsaka en överdriven

temperatur och orsaka fel på laddaren. Den högre 40 ° C bör undvikas.

- Laddaren kan inte läggas i slutna skåp eller i närheten av värmekällor som radiatorer eller solljus, eftersom den kommer att genomgå ökad värme som kan orsaka brand eller skador laddaren.
- Om du inte använder batteriet under en längre tid, ta bort det från laddaren och dra ur det.
- Fäst inte något på laddaren med nitar eller skruvar. Nitar eller skruvar kan vara ineffektiva på det isolerande huset. En självhäftande etikett är bättre utan att blockera ventilationsspåren.
- Ladda endast originalbatterier.
- Om nätsladden är skadad, gör att den byts ut av ett auktoriserat servicecenter till undvik risken för olyckor..

⚠ WARNING

För att undvika risken för skador och personskador, se till att laddarens driftspänning och aldrig försöka ladda icke-laddningsbara batterier.

HOPSÄTTNING

⚠ WARNING

Anslut inte motorsågen till elnätet innan den är helt monterad. Använd alltid handskar när du hanterar kedjan.

Kedja och kedjestångmontering

Kedjan måste vara så monterad över styrskenan att skärens (a) skärkanter vetter i den riktning som kedjan går.)



Håll styrskenan med näsan uppåt och placera sågkedjan så att kedjehjulets kedje ingriper i kedjelänkarna och de nedre delarna av drivlänkarna är belägna i spåren på stängen. Kedjan är korrekt spänd när det fortfarande är möjligt att höja den med 3-4 mm. Sågkedjans rotationsriktning indikeras med två pilar på drivhjulskyddet.

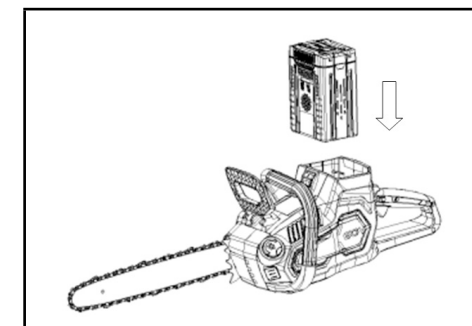
Kedja och kedjestång:

- Packa upp alla delar försiktigt.
- Placera motorsågen på valfri plan yta med motorn vänd nedåt.

Montera kedjan på drivhjulet och styr kedjestången. Så att fästbulten och de två styrfenorna tänds in i kedjestångens spår. Kontrollera om alla delar sitter ordentligt och håll kedjan och kedjestången i jämnt läge.

- Montera locket. Kontrollera att pilarna fortfarande är inriktade
- Handlätts låsknappen på fästbulten.
- Fortsätt till "spännkedja".

Batteripaketmontering



Sätt i batteriet enligt bilden ovan och se till att INTE trycka på någon knapp för att förhindra oavsiktligt Startande.

SMÖRJNING

⚠ CAUTION

Viktig: Motorsågen levereras inte fylld med olja. Det är viktigt att fylla med olja före användning. Använd aldrig motorsågen utan kedjaolja eller på en tom oljetanknivå, eftersom detta kommer att leda till omfattande skador på produkten. Kedjans livslängd och kapacitet beror på optimal smörjning.

Därför oljas kedjan automatiskt under drift via oljauttaget.

Påfyllning av oljetank:

1. Ställ motorsågen på valfri yta med oljepåfyllningslocket uppåt
2. Rengör området runt oljepåfyllningslocket med torkskraven.
3. Ta inte bort filterinsatsen under påfyllningen.
4. Tillsätt motorsåolja tills behållaren är full.
5. Undvik smuts eller skräp som kommer in i oljetanken, sätt tillbaka oljepåfyllningslocket och dra åt.

VIKTIG

För att möjliggöra avluftning av oljebehållaren finns små luftningskanaler mellan oljepåfyllningslocket och silen, för att förhindra läckage för att säkerställa att maskinen ligger i ett horisontellt läge överst när den inte används.

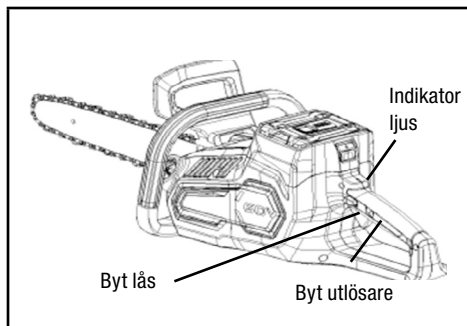
Det är viktigt att endast använda den rekommenderade oljan för att undvika skador på motorsågen. Använd aldrig återvunnen / gammal olja. Användning av olja som inte är godkänd kommer att upphäva garantin.

DRIFT**VIKTIG**

Kontrollera spänningen och strömförsörjningen: Spänningen och strömförsörjningen måste överensstämma med märkningen på typskylten..

För att slå på maskinen, tryck på låsknappen, tryck sedan helt på / av-knappen och håll den i detta läge. Låsknappen kan nu släppas. Släpp på / av-brytaren för avstängning.

Stoppa inte motorsågen efter sågningen genom att aktivera den främre handskyddet.

**Kickback-säkerhetsanordningar på denna såga**

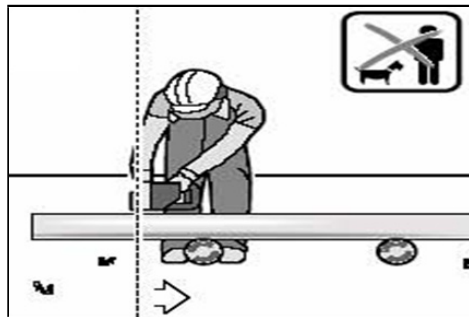
Denna såg har en låg kickback-kedja och reducerad kickback-kedjestång. Båda artiklarna minskar risken för kickback. Kickback kan fortfarande uppstå med denna såg.

Följande steg minskar risken för kickback

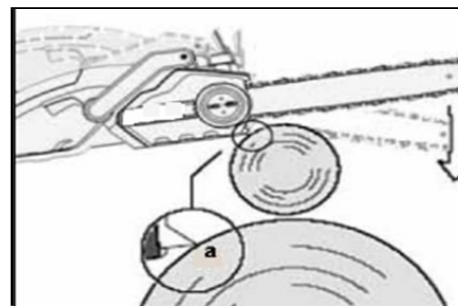
- Använd båda händerna för att greppa sågen medan sågen går. Använd fast grepp. Tummar och fingrar måste svepa runt såghandtagen.
- Håll alla säkerhetsföremål på plats på sågen. Se till att de fungerar korrekt.
- Överskrid inte eller klipp inte över axelhöjden.
- Håll fast fot och balans hela tiden.
- Stå något till vänster om sågen. Detta hindrar din kropp från att vara i direkt linje med kedjan
- Låt inte ledningsnåsen röra någonting när kedjan rör sig.
- Försök aldrig klippa igenom två stockar samtidigt. Klipp bara en logg åt gången.
- Begrava inte ledstängsnåsen eller försök att skjuta ner (tråkigt i trä med hjälp av stängnåsa).
- Se upp för skiftning av trä eller andra krafter som kan klämma kedjan.
- Var mycket försiktig när du sätter in ett tidigare snitt.
- Använd lågkopplingskedja och styrstav som medföljer denna motorsåg.
- Använd aldrig tråkig eller lös kedja. Håll kedjan skarp med rätt spänning.

Allmänt beteende

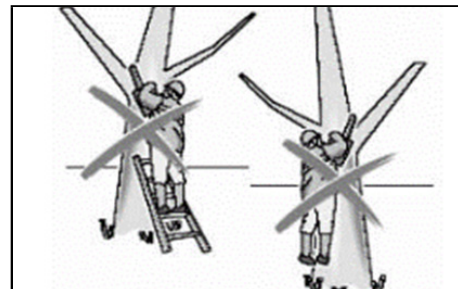
Använd motorsågen endast med säker fot. Håll motorsågen till höger om kroppen.



Kedjan måste köras i full fart innan den kommer i kontakt med virket. Använd metallgripande tändar för att säkra sågen på träet innan du börjar klippa. Använd de gripande tändarna som en hävstångspunkt "a" när du skär.



Använd inte motorsågen med armar helt utsträckta eller försök att såga områden som är svåra att nå eller på en stegen. Använd aldrig motorsågen över axelhöjden.

**SÅG UNDERHÅLL OCH KICKBACK SÄKERHET**

Följ underhållsinstruktionerna i den här bruksanvisningen. Korrekt rengöring av såg och kedja och underhåll av styrskenor kan minska risken för kickback. Inspektera och underhåll sågen efter varje användning. Detta kommer att öka livslängden på din såg.

Obs: Även med korrekt skärpning kan risken för kickback öka med varje skärpning.

UNDERHÅLL OCH LAGRING AV KEDJESÅ

- Ta bort batteripaketet från motorsågen när den inte används
- Innan du flyttar från en plats till en annan innan du utför service
- Innan du byter tillbehör eller tillbehör, som sågkedja och skydd
- Kontrollera motorsågen före och efter varje användning. Kontrollera sågen noga om skyddet eller andra delar har skadats
- Kontrollera om det finns skador som kan påverka förarens säkerhet eller användning av såg.

- Kontrollera om de rörliga delarna är inriktade eller bindande. Kontrollera för trasiga eller skadade delar. Använd inte motorsåg om skador påverkar säkerheten eller driften.
- Låt skador repareras av auktoriserat servicecenter.
- Sköta motorsågen med försiktighet.
- Utsätt aldrig sågen för regn.
- Håll kedjan skarp, ren och smord för bättre och säkrare prestanda.
- Följ stegen som beskrivs i denna manual för att skärpa kedjan.
- Håll handtagen torra, rena och fria från olja och fett.
- Håll alla skruvar och muttrar tätt.
- Använd endast identiska reservdelar vid service.
- Förvara alltid motorsågen på en hög eller låst plats utom räckhåll för barn när den inte används på en torr plats

Byt ut sågkedjan / kedjestången

- Byt ut kedjan när fräsarna är för slitna för att skärpa eller när kedjan går sönder.
- Använd endast den ersättningskedja som anges i denna bruksanvisning. Inkludera alltid nytt drivhjul när du byter kedja. Detta kommer att upprätthålla korrekt körning av kedjan.
- Inspektera styrskenan innan du skärper kedjan. En sliten eller skadad styrsstång är osäker. En sliten eller skadad styrsstång kommer att skada kedjan. Det kommer också att göra skärningen hårdare.
- Sätt i spännspaken i den nya stängen genom att dra åt skruven medurs. Spärruttaget (a) måste monteras i stånghålet.

SKÄRPA SÅGKEDJAN**WARNING**

Ta bort batteripaketet från motorsågen innan service. Allvarlig personskada eller dödsfall kan uppstå till följd av kroppskontakt med rörlig kedja..

WARNING

Skärkanterna på kedjan är vassa. Använd skyddshandskar när du hanterar kedja.

Håll kedjan skarp. Din såg kommer att skäras snabbare och säkrare.

En tråkig kedja orsakar otillbörligt kedjehjul, styrvast, kedja och motorslitage. Om du måste tvinga kedjan i trä och skärning skapar bara sågspån med få stora flisar, är kedjan trubbig

Vänligen kontakta kundtjänst eller godkänd serviceagent för skärpa eller alternativt köpa en ny kedja lokalt

BATTERILADDARE

SPECIFIKATIONER

Laddare: C8360/C8362

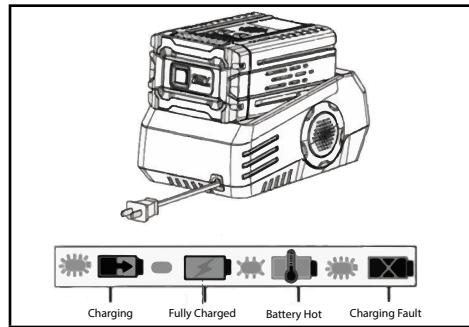
Inmatning: 120-240VAC, 50/60Hz, Max.3A

utmatning: 63VDC. Max.4.5A

tyngd: 2.6 lbs (1.2kg)

LADDNINGSFÖRFARANDE

Observera: Batteriet levereras inte fulladdat. Det rekommenderas att ladda helt före första användningen för att säkerställa att maximal körningstid kan uppnås. Detta litiumjonbatteri kommer inte att utveckla ett minne och kan laddas när som helst.



LED STATUS	DESCRIPTION
Blinkning Gron	Laddning
Solid Gron	Fulladdad
Solid Röd	Stå vid makten
Blinkning Röd(quick)	Laddningsfel
Blinkning Röd (slow)	Över temperatur

Låg spänning laddning:

Om batteriet har lagrats med lite till ingen laddning under en lång tid, laddaren går i återställningsläge, vilket tar mer tid att ladda batteriet helt. Detta kommer att förbättra batteriets livslängd. När den är fulladdad återgår nästa laddning till standardladdning.

Ett helt urladdat batteri kräver den tilldelade tiden som anges i batterihandboken. Anslut laddaren till ett vägguttag.

Sätt i batteriet i laddaren.

Detta är en diagnostisk laddare. Laddarens LED-lampor tänds i specifik ordning för att kommunicera aktuell batteristatus

Felaktig anmärkning:

När batteriet sätts in i laddaren och statusindikatorn blinkar RÖD, ta bort batteriet från laddaren i 1 minut och sätt sedan in den igen.. Om status-LED blinkar GRÖN, laddar batteriet ordentligt. Om statuslampan fortfarande blinkar RÖD, ta bort batteriet och koppla ur laddaren i 1 minut. Koppla in laddaren efter 1 minut och sätt i batteriet igen. Om status-LED blinkar GRÖN, laddar batteriet ordentligt. Om statuslampan fortfarande blinkar RÖD, är batteriet defekt och måste bytas ut.

Kontrollera laddningen

Om batteriet inte laddas ordentligt:

Kontrollera strömmen vid eluttaget med ett annat verktyg. Se till att uttaget inte är avstängt.

Kontrollera att laddarkontakterna inte har kortslutits med skräp eller främmande material.

Om lufttemperaturen är över 104 ° F eller under 45 ° F, flytta laddaren och batteripaketet till en rumstemperaturplats.

! VARNING

Om batteriet sätts in i laddaren när det är varmt eller varmt kan lampan CHARGING LED på laddaren tändas och tänds RÖD. Om detta inträffar låt batteriet svalna inuti laddaren i upp till 30 minuter. Laddningen bör starta automatiskt när batteriet har svalnat.

LADDARE MONTERING

1. Denna laddare kan installeras hängande på en vägg med två # 8 skruvar (ingår inte).

2. Leta reda på placeringen för laddaren som ska monteras på väggen.
3. Använd fyra skruvar (ingår ej) om du fäster på träbultar.
4. Borra två hål på mitten 5,5 tum. Bortsett från att se till att de är vertikalt i linje.
5. Använd väggankare (ingår ej) och skruvar för att fästa laddaren på väggen vid fästning på gipsvägg.

Observera: Om batteriet och laddaren inte kommer att användas på länge tar du bort batteriet från laddaren och drar ut nätkontakten.

UNDERHÅLL

! VARNING

För att undvika personsador och risken för brand och elektriska stötar, ta bort batteripaketet innan du justerar, inspekterar och rengör fläkten.

Städning

Ta bort batteriet.

- Borsta eller blåsa dammtunna skräp ur luftventilerna med tryckluft eller vakuum. Håll luftventilerna fria från hinder, sågspån och flis. Spraya, tvätta eller fördjupa luftventilerna i vatten.
- Torka av höljet och plastkomponenterna med en fuktig, mjuk trasa. Använd inte starka lösningsmedel eller tvättmedel på plasthuset eller plastkomponenterna. Vissa hushållsstädare kan orsaka skador och orsaka chockrisk.

Batteripaket

- Förvara batteriet helt laddat
- När lampan på laddaren lyser grönt tar du bort batteriet från laddaren och kopplar ur laddaren från uttaget.
- Förvara inte batteriet på verktyget.
- Efter laddning kan batteriet förvaras i laddaren så länge laddaren inte är ansluten.

Laddareunderhåll

Håll laddaren ren och fri från skräp. Do not allow foreign material to get into the recessed cavity or onto the contacts. Torka av laddaren med en torr, mjuk trasa. Använd inte lösningsmedel eller vatten och placera inte

laddaren under våta förhållanden. Koppla ur laddaren när det inte finns något batteripaket i den.

Ladda batterierna helt innan de placeras i förvaring.

Förvara laddaren vid normal rumstemperatur. Förvara den inte på överdriven värme. Använd inte laddaren i direkt solljus. Ladda upp vid rumstemperatur mellan 45 ° F och 104 ° F (7 ° C och 40 ° C). Om batteripaketet är varmt, låt det svalna inuti laddaren. Batteriet börjar laddas när det har återgått till rumstemperatur.

MILJÖSÄKERT BATTERIERFÖRSLAG

! VARNING

Följande giftiga och frätande material finns i batterierna som används i denna fläkt
Batteripaket: Litium-Ion, ett giftigt material..

! VARNING

Alla giftiga material måste kasseras på ett specificerat sätt för att förhindra kontaminering av miljön. Innan du bortskaffar skadade eller slitna litium-ion-batteripaket, kontakta ditt lokala avfallsföretag eller den lokala miljöskyddsbyrån för information och specifika instruktioner. Ta batterierna till ett lokalt återvinnings- och / eller bortskaffningscenter, certifierat för litiumjonborttagning.

⚠ VARNING

Om batteripaketet spricker eller går sönder, med eller utan läckor, ladda inte upp det och använd det inte. Ta bort det och ersätt det med ett nytt batteri.

PRÖV INTE ATT REPARERA DET

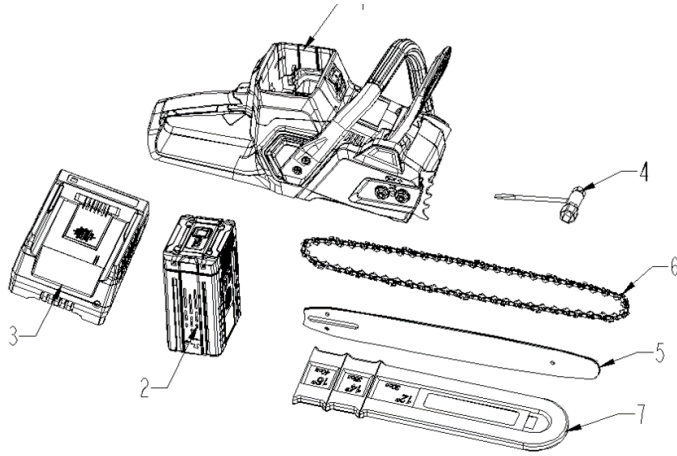
För att undvika skador och risk för brand, explosion eller elektrisk stöt och för att undvika skador på miljön:

- Täck batteriets plintar med tung tejp
- Försök INTE ta bort eller förstöra någon av batteriets komponenter.
- Försök INTE öppna batteriet.
- Om en läcka utvecklas är de frigjorda elektrolyterna frätande och giftiga. Få INTE lösningen i ögonen eller på huden och svälj inte den.
- Placera INTE dessa batterier i ditt vanliga hushållsavfall.
- Förbränna INTE.
- Placera INTE dem där de kommer att bli en del av någon deponi för kommunalt fast avfallsström.
- Ta dem till ett certifierat återvinnings- eller bortskaffningscenter.

TROUBLESHOOTING

PROBLEM	POSSIBLE CAUSE	SOLUTION
Motor fails to start when switch trigger is depressed.	Battery is not secure.	To secure the battery pack, make sure the latches on the top of the battery pack snap into place.
	Battery is not charged.	Charge the battery pack according to the instructions included with your model.
	Check that emergency brake is not in working position	Push the emergency brake into working position
No lube for guide and chain	1. Check whether the tubing is blocked. 2. Check whether there are impurities in the oil tank blocking the inlet pipe	1. Remove wood chips from the tubing. 2. Remove debris from the tank
LED indicator of tool flashes for 1-19 times, motor fails to start	Motor controller fault, or over temperature, or low battery, or over load, etc.	1. Release the trigger and restart the machine after 3-5s; or 2. Stop the operation and cool the tool and battery; or charge the battery 3. Clean wood chips and debris from air inlet and outlet regularly
Slow cutting speed	The chain is not sharp	Replace the chain
The chain is too long	Unadjusted tensioning components	Adjust the tensioning components to fit the chain length

PARTS LIST



Item #	Part #	Description	QTY
1	2818120001	Host Components	1
2	2830210006	Battery	1
3	2836110002	Charger	1
4	58180000009001	Wrench	1
5	2818030001	16' Blade	1
6	2818030002	16' Chain	1
7	2818030003	16' Blade protector	1

WARRANTY PAGE

Returns

We offer a no quibble 30 day money back guarantee for all goods shipped correctly that are not required. The buyer will be responsible for the return postage and packing charges and any original shipping charges are non refundable. Goods should be returned in a condition suitable for resale and where possible should be returned in their original packaging.

Goods which are manufactured specifically for an order and shipped correctly are not returnable.

If the wrong item is received it is the responsibility of the buyer to notify us in writing within 7 days of receipt. Arrangements will then be made for the incorrect item to be collected and a replacement item to be dispatched

Warranty

Warranty Qualifications

We at Warrior understand the importance of warranty for service & repair, we offer a standard 3 Year (Tools Only) & 1 year (Battery Only) warranty without the need for registering your purchase.

Please view the limitations below and read the full T&C's about the warranty offered on a particular product.

All we require is the either a copy of the original proof of purchase or an invoice supplied from retailer at the time of purchase to enable the claim to be raised. Please keep your proof of purchase safe for the duration of your terms, in the unfortunate event you need our technical support we will ask for this to be provided on each claim, NO proof of purchase any warranty claim will be delayed or rejected.

Transportation charges on any product or part(s) submitted for repair or replacement under this warranty are the sole responsibility of the purchaser. This warranty only applies to the original purchaser and is not transferable.

Do Not Return the Unit to the Place of Purchase

Contact Technical Support and we will troubleshoot any issue via phone or e-mail. If the problem or issue is not resolved by this method, we will, at its option, authorise an evaluation, repair or replacement of the defective product, part(s) or component at our own Service Centre workshop. If and when an product has to be replaced in most cases it will be on a like for like basis not old for new. We will provide you with a case number for warranty service and this can be monitored through your login account. Please keep it for future reference. Repairs or replacements without prior authorization, or at an unauthorized repair facility, will not be covered by this warranty. We do have warranty exclusions for customers outside the United Kingdom please see our full T&C's.

Warranty Exclusions

THIS WARRANTY DOES NOT COVER THE FOLLOWING:

NORMAL WEAR

Your product needs periodic parts and service to perform well. This warranty does not cover repair when normal use has exhausted the life of a part or the equipment as a whole.

INSTALLATION, USE AND MAINTENANCE

This warranty will be voided and (or) not apply to parts or labour if your product is deemed to have been misused, neglected, involved in an accident, abused, overloaded beyond the limits, modified, installed improperly or connected incorrectly to any electrical component or system for battery charging. Normal period maintenance is not covered by this warranty.

Other Exclusions

This warranty excludes:

- cosmetic defects such as paint, decals, stickers or accessory tools
- service parts including blades, string, chains, bars or bags
- any electrical component other than main control unit like fuses, connectors, dials, knobs or levers.
- failures due to acts of God and other force majeure events beyond the manufacturer's control
- problems caused by parts that are not original
- alteration or modification(s) made by any party other than the manufacturer
- any third party electrical equipment
- All batteries supplied Over 1 Year Old.

Limits of Implied Warranty and Consequential Damage

BPE Holdings (Warrior Eco Power Equipment) disclaims any obligation to cover any loss of time, use of this product, freight, or any incidental or consequential claim costs by anyone using this product.

THIS WARRANTY IS IN LIEU OF ALL OTHER WARRANTIES, EXPRESS OR IMPLIED, INCLUDING WARRANTIES OF MERCHANTABILITY OR FITNESS FOR A PARTICULAR PURPOSE.

A unit provided as an exchange will be subject to the warranty of the original unit. The length of the warranty governing the exchanged unit will remain calculated by reference to the purchase date of the original unit. This warranty gives you certain legal rights which may change from country to country. Your country may also have other rights you may be entitled to that are not listed within this warranty.

EC Declaration of Conformity

Supplier: Warrior Eco Power Equipment, Unit 17/18A Bradley Hall Trad Est, Standish, Wigan, WN6 0XQ, United Kingdom

Certificate No.	190400193/195HZH-001
Equipment	60V WARRIOR ELECTRIC CHAINSAW
Model	WEP8181CS
Serial Number	

In accordance with the following directives:

Directive 2006/42/EC	The Machinery Directive
Directive 2011/65/EU & 2015/863	The Restriction of use of Certain Hazardous Substances in Electrical and Electronic Equipment
Directive 2014/30/EU	The Electromagnetic Compatibility Directive and its Amendments 92/31/EEC and 98/13/EC

In accordance with article(s) and standards:

EN 50636-2-100:2014,	EN 55014-1:2017	EN 62321-2:2014
EN 603351:2012+A11:2014+A13:2017	EN 55014-2:2015	EN 62321-3:2014
EN 60745-1:2009+A11:2010	EN 62233:2008	
EN 60745-2-13:2009+A1:2010	EN 62321-1:2013	

I hereby declare that the equipment named above has been designed and manufactured to comply with relevant sections of the above referenced specifications. The products comply with the essential requirements of the relevant directives. This certificate is only valid for the product(s) and configuration described in conjunction with details test data and with all applicable legal requirements of this product.

X 

Paul Rimson
Technical Manager

Date:	10/03/2020 15:28
Issuing Country:	United Kingdom



Winch Solutions Ltd
Unit 17/18 Bradley Hall Trading Estate
Bradley Lane
Standish
Wigan
GREATER MANCHESTER
UK
WN6 0XQ