



OPERATOR'S MANUAL

CHARGER #WEP8370BC
BATTERY #WEP8301-2.5

ENGLISH

DEUTSCH

FRANÇAIS

SVENSKA



LITHIUM-ION RECHARGEABLE BATTERY & CHARGER

SAVE THESE INSTRUCTIONS. This manual contains important safety precautions which should be read and understood before operating the product. Failure to do so could result in serious injury. This manual should remain with the product.

Specifications, descriptions and illustrations in this manual are as accurate as known at the time of publication, but are subject to change without notice.

REV 20211220

PRODUCT SPECIFICATIONS

Battery	
Battery Pack	WEP8301-2.5
Battery capacity	2.0/2.5/4.0Ah Lithium-Ion
Charge time	From 67 to 150 minutes
Weight	1.54-2.09lbs (0.7-0.95kg)

Charger	
Charger	WEP8370BC
Input	120-240VAC, 50/60Hz.
Output:	42VDC, 2.2A
Weight	1.2lbs (0.55kg)

GENERAL SAFETY RULES

For the proper use, maintenance and storage of this battery, it is important that you read and understand the instructions given in this manual.

To avoid serious injury, risk of fire, explosion and danger of electric shock or electrocution-

- Do not probe the charger with conductive materials. The charging terminals hold 120-240V.
- If the battery pack case is cracked or damaged, DO NOT insert into the charger. Replace the battery pack.
- Do not charge these battery packs with any other type of charger
- Do not allow liquid inside the charger.
- Do not try to use the charger for any other purpose than what is presented in this manual.

WARNING

If the battery fluid gets in your eyes, flush immediately with clean water for at least 15 minutes. Get immediate medical attention. Do not charge the battery pack in rain or in wet conditions. Do not immerse the tool, battery pack, or charger in water or other liquid.

SAFETY NOTES AND PRECAUTIONS

1. Do not disassemble the battery.
2. Keep away from the children.
3. Do not expose the battery to water or salt water, and store the battery in cool and dry environment.
4. Do not place the battery in high-temperature locations, such as near a fire, heater, etc.
5. Do not reverse the positive terminal and the negative terminal of the battery.
6. Do not connect the positive terminal and the negative terminal of the battery to each other with any metal objects
7. Do not knock, strike, or step on the battery
8. Do not solder directly onto the battery and pierce the battery with nails or other sharp objects.
9. In the event that the battery leaks and the fluid gets into one's eye, do not rub the eye. Rinse well

with water. Immediately discontinue use of the battery if the battery emits an unusual smell feels hot, changes color, changes shape, or appears abnormal in any other way

WARNING

To avoid risk of fire, electric shock, or electrocution

- Do not use a damp cloth or detergent on the battery or battery charger
- Always remove the battery pack before cleaning, inspecting, or performing any maintenance on the tool.

EN

BATTERY

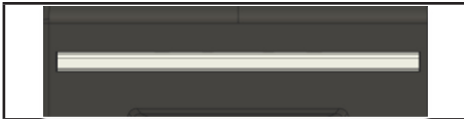
- On opening the box, charge battery fully before first use.
- Never allow the battery pack or charger to overheat. If they are warm, allow them to cool down. Recharge only at room temperature and not in very hot conditions or extreme temperatures.
- Keep the ventilation slots of the charger clear.
- Never allow small metal items or material such as steel wool, aluminum foil, or other foreign particles into the charger cavity.
- Unplug the charger before cleaning and when there is no battery pack in the charger.
- Do not leave the battery pack in the sun or in a warm environment for extended periods of time.
- Never try to connect two chargers together.
- The battery pack cells may develop a small leak under extreme usage or temperature conditions
- If the battery will not be used for 3 months or more, Fully charge and store the battery in a room temperature environment.
- If the outer seal is broken and the leakage gets on your skin:
 - Use soap and water to wash immediately.
 - Neutralize with lemon juice, vinegar, or other mild acid
- If leakage gets in your eyes, follow instructions above and seek medical attention

BATTERY

CHECKING BATTERY CAPACITY

Note: The battery is not shipped fully charged. Fully charge battery before first use to ensure that maximum run time can be achieved. This lithium-ion battery will not develop a memory and may be charged at any time. A fully discharged battery pack will take the allotted time as stated in the specifications portion of this manual

Press the battery capacity indicator button. The LED lights will illuminate according to the batteries current power level. See chart below:



Lights	Capacity
4 Green LED are lit	The battery is more than 70% capacity
4 Blue LED are lit	The battery is between 35%and 70%capacity
4 Red LED are lit	The battery is between 0%and 35%capacity
4 Red LED flash	The battery requires charging immediately

CAUTION

Do not use strong solvents or detergents on the plastic housing or plastic components. Certain household cleaners may cause damage and may also cause a shock hazard.

WARNING

ENVIRONMENTALLY SAFE BATTERY DISPOSAL

The following toxic and corrosive materials are in the batteries used in this blower.

Battery pack: Lithium-Ion, a toxic material.

WARNING

All toxic materials must be disposed of in a specified manner to prevent contamination of the environment. Before disposing of damaged or worn out Lithium-ion battery packs, contact your local waste disposal agency, or the local Environmental Protection Agency to information and specific instructions. Take the batteries to a local recycling and/or disposal center, certified for Li-ion disposal.

WARNING

If the battery pack cracks or breaks, with or without leaks, do not recharge it and do not use. Dispose of it properly and replace with a new battery pack. DO NOT ATTEMPT TO REPAIR IT! To avoid injury and risk of fire, explosion, or electric shock, and to avoid damage to the environment:

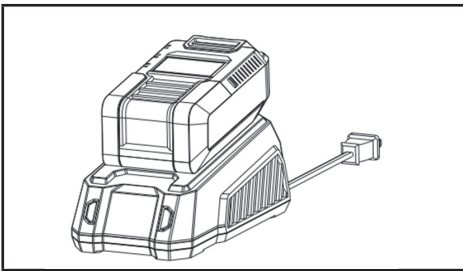
- Cover the battery's terminals with heavy-duty adhesive tape
- DO NOT attempt to remove or destroy any of the battery pack components
- DO NOT attempt to open the battery pack
- If a leak develops, the released electrolytes are corrosive and toxic. DO NOT get the solution in the eyes or on skin, and do not swallow it
- DO NOT place these batteries in your regular household trash
- DO NOT incinerate
- DO NOT place them where they will become part of any waste landfill or municipal solid waste stream
- Take them to a certified recycling or disposal center

BATTERY CHARGER

⚠ WARNING

The battery is not shipped/transported fully charged. Fully charge the battery before first use to ensure that maximum run time can be achieved. This lithium-ion battery will not develop a memory and may be charged at any time.

CHARGING PROCEDURE



	LED STATUS	DESCRIPTION
	Blinking Green	Charging
	Solid Green	Fully charged
	Solid Red	Stand by
	Blinking Red (fast)	Battery too hot
	Blinking Red (slow)	Charging fault

Low voltage charging:

If the battery has been stored with little to no charge for a long period of time, the charger will go into recovery mode, which will take more time to fully charge the battery. This will enhance the life of the battery. Once it is fully charged, the next charge will return to standard charging.

A fully discharged battery pack will require the allotted time as stated in the battery manual. Plug the charger into an AC power outlet.

Insert the battery -into the charger.

This is a diagnostic charger. The Charger LED Lights will illuminate in specific order to communicate the current battery status.

False defect note:

When the battery is inserted into the charger and the status LED blinks RED, remove the battery from the

charger for 1 minute, then reinsert. If the status LED blinks GREEN, then the battery is properly charging. If the status LED is still blinking RED, remove the battery and unplug the charger for 1 minute. After 1 minute, plug in the charger and reinsert the battery. If the status LED blinks GREEN, then the battery is properly charging. If the status LED is still blinking RED, the battery is defective and needs to be replaced

CHECKING THE CHARGE

If the battery pack does not charge properly:

Check the current at the power outlet with another tool. Make sure that the outlet is not turned off.

Check that the charger contacts have not been shorted by debris or foreign material.

If the air temperature is above 104°F or below 45°F, move the charger and battery pack to a room temperature location and allow to warm up slowly.

⚠ WARNING

If the battery is inserted into the charger when warm or hot, the **CHARGING LED** indicator light on the charger may switch on and illuminate **RED**. If this occurs allow the battery to cool inside of the charger for up to 30 minutes. Charging should automatically start once battery has cooled

CHARGER MOUNTING

- This charger can be installed hanging on a wall using two #8 screws (not included).
- Locate the placement for the charger to be wall mounted.
- If fastening to wood studs use 2 wood screws (not included).
- Drill two holes on center 5.5 in. apart ensuring that they are vertically aligned.
- If fastening to drywall use wall anchors (not included) and screws to secure the charger to the wall.

Note: If the battery and the charger won't be used for a long time, remove the battery from the charger and pull out the AC power plug

EN

MAINTENANCE



WARNING

In order to avoid personal injury and the risk of fire and electric shock, remove the battery before adjusting, inspecting, cleaning the battery.

Cleaning

Remove the battery pack.

- Brush or blow dust and debris out of the air vents using compressed air or a vacuum. Keep the air vents free of obstructions, sawdust, and wood chips. Do not spray, wash, or immerse the air vents in water.
- Wipe off the housing and the plastic components using a moist, soft cloth. Do not use strong solvents or detergents on the plastic housing or plastic components. Certain household cleaners may cause damage, and may cause a shock hazard.

Battery Pack

- Store the battery pack fully charged
- Once the light on the charger turns solid green, remove the battery from the charger and disconnect the charger from the outlet.
- Do not store the battery pack on the tool.
- After charging, the battery pack may be stored in the charger, as long as the charger is not plugged in.

Charger Maintenance

Keep the charger clean and clear of debris. Do not allow foreign material to get into the recessed cavity or onto the contacts. Wipe the charger clean with a dry, soft cloth. Do not use solvents or water, and do not place the charger in wet conditions.

Unplug the charger when there is no battery pack in it.

Fully charge the batteries before placing them in storage.

Store the charger at normal room temperature. Do not store it in excessive heat. Do not use the charger in direct sunlight. Recharge at room temperature between 45° F and 104° F (7° C and 40° C). If the battery pack is hot, allow it to cool down inside of the charger. The battery will begin charging once it has returned to room temperature.



CAUTION

This device complies with Part 15 of the FCC Rules. Operation is subject to the following two conditions:

1. This device may not cause harmful interference.
2. This device must accept any interference received, including interference that may cause

WARRANTY PAGE

Returns

We offer a no quibble 30 day money back guarantee for all goods shipped correctly that are not required. The buyer will be responsible for the return postage and packing charges and any original shipping charges are non refundable. Goods should be returned in a condition suitable for resale and where possible should be returned in their original packaging.

Goods which are manufactured specifically for an order and shipped correctly are not returnable.

If the wrong item is received it is the responsibility of the buyer to notify us in writing within 7 days of receipt. Arrangements will then be made for the incorrect item to be collected and a replacement item to be dispatched

Warranty

Warranty Qualifications

We at Warrior understand the importance of warranty for service & repair, we offer a standard 3 Year (Tools Only) & 1 year (Battery Only) warranty without the need for registering your purchase.

Please view the limitations below and read the full T&C's about the warranty offered on a particular product.

All we require is the either a copy of the original proof of purchase or an invoice supplied from retailer at the time of purchase to enable the claim to be raised. Please keep your proof of purchase safe for the duration of your terms, in the unfortunate event you need our technical support we will ask for this to be provided on each claim, NO proof of purchase any warranty claim will be delayed or rejected.

Transportation charges on any product or part(s) submitted for repair or replacement under this warranty are the sole responsibility of the purchaser. This warranty only applies to the original purchaser and is not transferable.

Do Not Return the Unit to the Place of Purchase

Contact Technical Support and we will troubleshoot any issue via phone or e-mail. If the problem or issue is not resolved by this method, we will, at its option, authorise an evaluation, repair or replacement of the defective product, part(s) or component at our own Service Centre workshop. If and when an product has to be replaced in most cases it will be on a like for like basis not old for new. We will provide you with a case number for warranty service and this can be monitored through your login account. Please keep it for future reference. Repairs or replacements without prior authorization, or at an unauthorized repair facility, will not be covered by this warranty. We do have warranty exclusions for customers outside the United Kingdom please see our full T&C's.

Warranty Exclusions

THIS WARRANTY DOES NOT COVER THE FOLLOWING:

NORMAL WEAR

Your product needs periodic parts and service to perform well. This warranty does not cover repair when normal use has exhausted the life of a part or the equipment as a whole.

INSTALLATION, USE AND MAINTENANCE

This warranty will be voided and (or) not apply to parts or labour if your product is deemed to have been misused, neglected, involved in an accident, abused, overloaded beyond the limits, modified, installed improperly or connected incorrectly to any electrical component or system for battery charging. Normal period maintenance is not covered by this warranty.

Other Exclusions

This warranty excludes:

- cosmetic defects such as paint, decals, stickers or accessory tools
- service parts including blades, string, chains, bars or bags
- any electrical component other than main control unit like fuses, connectors, dials, knobs or levers.
- failures due to acts of God and other force majeure events beyond the manufacturer's control
- problems caused by parts that are not original
- alteration or modification(s) made by any party other than the manufacturer
- any third party electrical equipment
- All batteries supplied Over 1 Year Old.

Limits of Implied Warranty and Consequential Damage

BPE Holdings (Warrior Eco Power Equipment) disclaims any obligation to cover any loss of time, use of this product, freight, or any incidental or consequential claim costs by anyone using this product.

THIS WARRANTY IS IN LIEU OF ALL OTHER WARRANTIES, EXPRESS OR IMPLIED, INCLUDING WARRANTIES OF MERCHANTABILITY OR FITNESS FOR A PARTICULAR PURPOSE.

A unit provided as an exchange will be subject to the warranty of the original unit. The length of the warranty governing the exchanged unit will remain calculated by reference to the purchase date of the original unit. This warranty gives you certain legal rights which may change from country to country. Your country may also have other rights you may be entitled to that are not listed within this warranty.



LITHIUM-IONEN- AKKU UND LADEGERÄT

BEWAHREN SIE DIESE ANLEITUNG AUF. Dieses Handbuch enthält wichtige Sicherheitsmaßnahmen, die vor der Inbetriebnahme des Produkts gelesen und verstanden werden sollten. Die Nichtbeachtung kann schwere Verletzungen zur Folge haben. Dieses Handbuch sollte beim Produkt aufbewahrt werden.

Die technischen Daten, Beschreibungen und Abbildungen in diesem Handbuch sind so genau, wie sie zum Zeitpunkt der Veröffentlichung bekannt waren, können aber ohne vorherige Ankündigung geändert werden

PRODUKTSPEZIFIKATIONEN

Akku	
Akkupack	WEP8301-2.5
Akkukapazität	2.0/2.5/4.0Ah Lithium-Ion
Ladezeit	von 67 bis 150 Minuten
Gewicht	1.54-2.09Pfund (0.70-0.95kg)

DE

Ladegerät	
Ladegerät	WEP8370BC
Eingang	120-240VAC, 50/60Hz
Ausgang:	42VDC, 2.2A
Weight	1.2 Pfund (0.55 kg)

SICHERHEITSINFORMATION

Für die richtige Verwendung, Wartung und Lagerung dieses Akkus ist es wichtig, dass Sie die Anweisungen in diesem Handbuch lesen und verstehen.

Um schwere Verletzungen, Brandrisiko, Explosions- und Stromschlaggefahr zu vermeiden.

- Testen Sie das Ladegerät nicht mit leitfähigen Materialien. Die Ladeterminale halten 120-240V.
- Wenn das Gehäuse des Akkupacks Risse oder Beschädigungen aufweist, setzen Sie es NICHT in das Ladegerät ein. Ersetzen Sie das Akkupack.
- Laden Sie das Akkupack nicht mit anderen Arten von Ladegeräten auf
- Lassen Sie keine Flüssigkeit in das Ladegerät gelangen.
- Versuchen Sie nicht, das Ladegerät für andere Zwecke als die in diesem Handbuch beschriebenen zu verwenden.

WARNUNG

Wenn Akkuflüssigkeit in Ihre Augen gelangt, spülen Sie diese sofort mindestens 15 Minuten lang mit sauberem Wasser aus. Sofort ärztliche Hilfe hinzuziehen. Laden Sie den Akku nicht bei Regen oder Nässe auf. Tauchen Sie das Werkzeug, den Akku oder das Ladegerät nicht in Wasser oder andere Flüssigkeiten.

SICHERHEITSHINWEISE UND VORSICHTSMASSNAHMEN

1. Zerlegen Sie den Akku nicht.
2. Von den Kindern fernhalten.
3. Setzen Sie den Akku weder Wasser noch Salzwasser aus und lagern Sie den Akku in einer kühlen und trockenen Umgebung.
4. Platzieren Sie den Akku nicht an Orten mit hohen Temperaturen, wie in der Nähe eines Feuers, einer Heizung usw.
5. Vertauschen Sie den Pluspol und den Minuspol des Akkus nicht.
6. Verbinden Sie den Pluspol und den Minuspol des Akkus nicht mit Metallgegenständen
7. Nicht an den Akku klopfen, schlagen oder darauf treten

8. Löten Sie nicht direkt auf den Akku und durchbohren Sie den Akku nicht mit Nägeln oder anderen scharfen Gegenständen.
9. Falls der Akku ausläuft und Flüssigkeit ins Auge gelangt, reiben Sie das Auge nicht. Gut mit Wasser ausspülen. Stellen Sie die Verwendung des Akkus sofort ein, wenn der Akku einen ungewöhnlichen Geruch verströmt, sich heiß anfühlt, seine Farbe ändert, seine Form ändert oder auf andere Weise ungewöhnlich erscheint.

WARNUNG

Um Brand- oder Stromschlaggefahr zu vermeiden

- Verwenden Sie kein feuchtes Tuch oder Reinigungsmittel für den Akku oder das Ladegerät
- Entfernen Sie immer den Akku, bevor Sie das Werkzeug reinigen, inspizieren oder warten.

AKKU

- Lassen Sie den Akku oder das Ladegerät nicht überhitzen. Wenn sie warm sind, lassen Sie sie abkühlen. Nur bei Zimmertemperatur aufladen.
- Halten Sie die Lüftungsschlitze des Ladegeräts frei.
- Lassen Sie keine kleinen Metallgegenstände oder Materialien wie Stahlwolle, Alufolie oder andere Fremdkörper in den Laderaum des Ladegeräts gelangen.
- Trennen Sie das Ladegerät vom Netz, bevor Sie es reinigen und während sich kein Akku im Ladegerät befindet.
- Lassen Sie den Akkupack nicht für längere Zeit in der Sonne oder in einer warmen Umgebung liegen.
- Versuchen Sie nicht, zwei Ladegeräte miteinander zu verbinden.
- Die Zellen des Akkupacks können unter extremen Nutzungs- oder Temperaturbedingungen eine kleine Undichtigkeit entwickeln
- Wenn der Akku für 3 Monate oder länger nicht verwendet wird, lagern Sie den Akku bei Raumtemperatur. Vor der Lagerung vollständig aufladen
- Wenn die äußere Versiegelung gebrochen ist und die Undichtigkeit auf Ihre Haut gelangt:
- Verwenden Sie zum sofortigen Waschen Wasser und Seife.

- Mit Zitronensaft, Essig oder einer anderen milden Säure neutralisieren
- Wenn Undichtigkeiten in Ihre Augen gelangen, befolgen Sie die obigen Anweisungen und suchen Sie einen Arzt auf.

ÜBERPRÜFEN DER AKKUKAPAZITÄT

Hinweis: Der Akku wird nicht vollständig geladen geliefert. Es wird empfohlen, das Gerät vor dem ersten Gebrauch vollständig aufzuladen, um sicherzustellen, dass die maximale Betriebszeit erreicht werden kann. Dieser Lithium-Ionen-Akku entwickelt keinen Speicher und kann jederzeit aufgeladen werden. Ein vollständig entladener Akku benötigt die in den Spezifikationen dieses Handbuchs angegebene Zeit

Drücken Sie auf den Knopf zur Anzeige der Akkukapazität. Die LED-Leuchten leuchten entsprechend dem aktuellen Ladezustand der Akkus auf. Siehe Diagramm unten:



Leuchten	Kapazität
4 Grün LEDs leuchten	Der Akku hat eine Kapazität von mehr als 70%
4 Blau LEDs leuchten	Der Akku hat eine Kapazität zwischen 35% und 70%
4 Rot LEDs leuchten	Der Akku hat eine Kapazität zwischen 0 und 35 %
4 Rot LED-Blitze	Der Akku muss sofort aufgeladen werden

VORSICHT

Verwenden Sie keine scharfen Lösungs- oder Reinigungsmittel für das Kunststoffgehäuse oder die Kunststoffteile. Bestimmte Haushaltsreiniger können Schäden verursachen und auch eine Stromschlaggefahr darstellen.

WARNUNG

UMWELTSICHERE AKKUENTSORGUNG

Die folgenden giftigen und korrosiven Materialien sind in den Akkus dieses Werkzeugakkusatzes Li-Ion, einem giftigen Material, enthalten.

WARNUNG

Alle giftigen Materialien müssen auf eine bestimmte Weise entsorgt werden, um eine Kontamination der Umwelt zu verhindern. Bevor Sie beschädigte oder abgenutzte Lithium-Ionen-Akkus entsorgen, wenden Sie sich an Ihre örtliche Abfallentsorgungsbehörde oder die örtliche Umweltschutzbehörde, um Informationen und konkrete Anweisungen zu erhalten. Bringen Sie die Akkus zu einem Recycling- und/oder Entsorgungszentrum vor Ort, der zur Li-Ionen-Entsorgung zertifiziert ist.

WARNUNG

Wenn der Akku mit oder ohne Undichtigkeiten Risse bekommt oder bricht, laden Sie ihn nicht wieder auf und verwenden Sie ihn nicht. Entsorgen Sie ihn ordnungsgemäß und ersetzen Sie ihn durch einen neuen Akku. **VERSUCHEN SIE NICHT, IHN ZU REPARIEREN!** Um Verletzungen und die Gefahr von Feuer, Explosion oder Stromschlag und Umweltschäden zu vermeiden:

- Bedecken Sie die Pole des Akkus mit strapazierfähigem Klebeband
- Versuchen Sie NICHT, die Komponenten des Akkupacks zu entfernen oder zu zerstören
- Versuchen Sie NICHT, den Akkupack zu öffnen
- Bei einer Undichtigkeit sind die freigesetzten Elektrolyte ätzend und giftig. Die Lösung NICHT in die Augen oder auf die Haut gelangen lassen und nicht schlucken
- Geben Sie diese Akkus NICHT in den normalen Hausmüll
- NICHT verbrennen
- Platzieren Sie sie NICHT an Orten, an denen sie Teil einer Mülldeponie oder eines festen Siedlungsabfalls werden Strom
- Bringen Sie sie zu einem zertifizierten Recycling- oder Entsorgungszentrum

DE

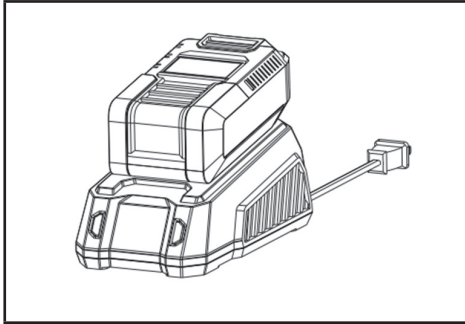
AKKULADEGERÄT






LADEVORGANG

HINWEIS: Der Akku wird nicht vollständig geladen geliefert. Es wird empfohlen, vor dem ersten Gebrauch vollständig aufzuladen, um sicherzustellen, dass die maximale Laufzeit erreicht werden kann. Dieser

AKKULADEGERÄT

Lithium-Ionen-Akku entwickelt keinen Speicher und kann jederzeit aufgeladen werden.



	LED STATUS	BESCHREIBUNG
	Grün blinkend	Ladevorgang
	Permanent grün	Vollständig aufgeladen
	Permanent rot	Standby
	Rot blinkend (schnell)	Akkupack oder Übertemperatur
	Rot blinkend (langsam)	Fehler beim Laden

Niederspannungsladung:

Wenn der Akku über einen längeren Zeitraum mit wenig bis gar keiner Ladung aufbewahrt wurde, wechselt das Ladegerät in den Wiederherstellungsmodus, wodurch es länger dauert, bis der Akku vollständig aufgeladen ist. Dies verlängert die Lebensdauer des Akkus. Sobald es vollständig aufgeladen ist, wird die nächste Ladung wieder standardmäßig durchgeführt.

Ein vollständig entladener Akku benötigt die im Akkuhandbuch angegebene Zeit. Stecken Sie das Ladegerät in eine Steckdose.

Legen Sie den Akku in das Ladegerät ein.

Dies ist ein Diagnoseladegerät. Die LED-Leuchten des Ladegeräts leuchten in einer bestimmten Reihenfolge, um den aktuellen Akkustatus zu melden.

Falscher Fehlerhinweis:

Wenn der Akku in das Ladegerät eingesetzt ist und die Status-LED ROT blinkt, nehmen Sie den Akku für 1 Minute aus dem Ladegerät und setzen Sie ihn dann wieder ein. Wenn die Status-LED GRÜN blinkt, wird der Akku ordnungsgemäß geladen. Wenn die Status-

LED immer noch ROT blinkt, entfernen Sie den Akku und ziehen Sie das Ladegerät 1 Minute lang aus dem Stromnetz. Schließen Sie das Ladegerät nach 1 Minute an und setzen Sie den Akku wieder ein. Wenn die Status-LED GRÜN blinkt, wird der Akku ordnungsgemäß geladen. Wenn die Status-LED immer noch ROT blinkt, ist der Akku defekt und muss ausgetauscht werden.

ÜBERPRÜFEN DER LADUNG

Wenn der Akku nicht richtig geladen wird:

Prüfen Sie den Strom an der Steckdose mit einem anderen Werkzeug. Stellen Sie sicher, dass die Steckdose nicht ausgeschaltet ist.

Vergewissern Sie sich, dass die Kontakte des Ladegeräts nicht durch Schmutz oder Fremdkörper kurzgeschlossen wurden.

Bringen Sie das Ladegerät und den Akku an einen Ort mit Raumtemperatur, wenn die Lufttemperatur über 104 °F oder unter 45 °F liegt.



WARNUNG

Wenn der Akku warm oder heiß in das Ladegerät eingesetzt wird, ändert sich möglicherweise die LED-Ladeanzeige am Ladegerät und leuchtet ROT auf. Lassen Sie den Akku in diesem Fall bis zu 30 Minuten im Ladegerät abkühlen. Der Ladevorgang sollte automatisch beginnen, sobald der Akku abgekühlt ist.

LADEGERÄT-MONTAGE

This charger can be installed hanging on a wall using two #8 screws (not included).

1. Dieses Ladegerät kann mit zwei Schrauben Gr. 8 (nicht im Lieferumfang enthalten) an der Wand hängend montiert werden.
2. Suchen Sie die Stelle, an der das Ladegerät an der Wand montiert werden soll.
3. Verwenden Sie bei Befestigung an Holzbeschlägen 2 Holzschrauben (nicht im Lieferumfang enthalten).
4. Bohren Sie zwei Löcher in der Mitte 5,5 Zoll auseinander und stellen Sie sicher, dass sie vertikal ausgerichtet sind.
5. Verwenden Sie zur Befestigung an Trockenbauwänden Wanddübel (nicht im Lieferumfang enthalten) und Schrauben, um das Ladegerät an der Wand zu befestigen.

Hinweis: Ziehen Sie den Akku aus dem Ladegerät und ziehen Sie den Netzstecker heraus, wenn der Akku und das Ladegerät für längere Zeit nicht verwendet werden.

INSTANDHALTUNG

WARNUNG

Entfernen Sie den Akku, bevor Sie das Gebläse einstellen, inspizieren oder reinigen, um Personenschäden und die Gefahr von Feuer und Stromschlägen zu vermeiden.

Reinigung

Nehmen Sie das Akkupack heraus.

- Bürsten oder blasen Sie staubtrockene Ablagerungen mit Druckluft oder einem Vakuum aus den Lüftungsschlitzen. Halten Sie die Lüftungsöffnungen frei von Hindernissen, Sägemehl und Holzspänen. Sprühen, waschen oder tauchen Sie die Lüftungsschlitze nicht in Wasser.
- Wischen Sie das Gehäuse und die Kunststoffteile mit einem feuchten, weichen Tuch ab. Verwenden Sie keine starken Lösungs- oder Reinigungsmittel auf dem Kunststoffgehäuse oder Kunststoffteilen. Bestimmte Haushaltsreiniger können Schäden und eine Schockgefahr verursachen.

Akkupack

- Lagern Sie das Akkupack voll aufgeladen
- Sobald die Leuchte am Ladegerät konstant grün leuchtet, nehmen Sie den Akku aus dem Ladegerät und trennen Sie das Ladegerät von der Steckdose.
- Lagern Sie den Akku nicht auf dem Gerät.
- Der Akku kann nach dem Aufladen im Ladegerät aufbewahrt werden, solange das Gerät nicht angeschlossen ist.

Wartung des Ladegeräts

Halten Sie die Ladung sauber und frei von Schmutz. Lassen Sie nicht zu, dass Fremdmaterial in den vertieften Hohlraum oder auf die Kontakte gelangt. Wischen Sie das Ladegerät mit einem trockenen, weichen Tuch ab. Verwenden Sie keine Lösungsmittel oder Wasser und stellen Sie das Ladegerät nicht nass auf.

Ziehen Sie das Ladegerät aus der Steckdose, wenn kein Akkupack darin ist.

Laden Sie die Akkus vollständig auf, bevor Sie sie einlagern.

Lagern Sie das Ladegerät bei normaler Temperatur oder Raumtemperatur. Lagern Sie es nicht bei übermäßiger Hitze. Verwenden Sie das Ladegerät nicht bei direkter Sonneneinstrahlung. Laden Sie bei Raumtemperaturen zwischen 45° F und 104° F (7°C und 40° C) auf. Wenn der Akku heiß ist, lassen Sie ihn im Inneren des Ladegerät abkühlen. Der Akku beginnt mit dem Laden, sobald er wieder Raumtemperatur erreicht hat.

DE

VORSICHT

Dieses Gerät entspricht Teil 15 der FCC-Bestimmungen. Der Betrieb unterliegt den folgenden zwei Bedingungen

1. Dieses Gerät darf keine schädlichen Interferenzen verursachen.
2. (2) Dieses Gerät muss alle empfangenen Interferenzen akzeptieren, einschließlich Interferenzen, die einen unerwünschten Betrieb verursachen können.

RÜCKGABERECHT

Wir bieten eine 30-tägige Geld-zurück-Garantie für alle Waren, die korrekt versandt wurden und nicht benötigt werden. Der Käufer ist für die Rücksende porto- und verpackungskosten verantwortlich und alle ursprünglichen Versandkosten sind nicht erstattungsfähig. Die Ware sollte in einem für den Weiterverkauf geeigneten Zustand und nach Möglichkeit in der Originalverpackung zurückgegeben werden.

Waren, die speziell für eine Bestellung hergestellt und korrekt versandt werden, können nicht zurückgegeben werden.

Wenn der falsche Artikel erhalten wird, liegt es in der Verantwortung des Käufers, uns innerhalb von 7 Tagen nach Erhalt schriftlich zu benachrichtigen. Es werden dann Vorkerhungen getroffen, damit der fehlerhafte Artikel abgeholt und ein Ersatzartikel versandt wird.

Garantie

Garantie-Qualifikationen

Wir bei Warrior verstehen die Bedeutung der Garantie für Service und Reparatur, wir bieten eine Standardgarantie von 3 Jahren (nur Werkzeuge) und 1 Jahr (nur Akku) an, ohne dass Sie Ihren Kauf registrieren müssen.

Bitte beachten Sie die folgenden Einschränkungen und lesen Sie die vollständigen AGB über die Garantie, die für ein bestimmtes Produkt angeboten wird.

Alles, was wir benötigen, ist entweder eine Kopie des Original-Kaufbelegs oder eine Rechnung, die zum Zeitpunkt des Kaufs vom Händler geliefert wird, um die Geltendmachung des Anspruchs zu ermöglichen. Bitte bewahren Sie Ihren Kaufbeleg für die Dauer Ihrer Laufzeit sicher auf, in dem unglücklichen Fall, dass Sie unsere technische Unterstützung benötigen, werden wir darum bitten, dass dies bei jedem Anspruch zur Verfügung gestellt wird, KEIN Kaufbeleg, ein Garantieanspruch wird verzögert oder abgelehnt.

Die Transportkosten für Produkte oder Teile, die im Rahmen dieser Garantie zur Reparatur oder zum Austausch eingereicht werden, liegen in der alleinigen Verantwortung des Käufers. Diese Garantie gilt nur für den Erstkäufer und ist nicht übertragbar.

Geben Sie das Gerät nicht an den Ort des Kaufs zurück

Wenden Sie sich an den technischen Support und wir werden jedes Problem per Telefon oder E-Mail beheben. Wenn das Problem oder Problem auf diese Weise nicht gelöst wird, werden wir nach eigenem Ermessen eine Bewertung, Reparatur oder den Austausch des defekten Produkts, Teils oder der Komponente in unserer eigenen Service-Center-Werkstatt genehmigen. Wann und wehm ein Produkt ersetzt werden muss, wird es in den meisten Fällen auf einer Like-for-Like-Basis sein, nicht alt für neu. Wir stellen Ihnen eine Fallnummer für den Garantieservice zur Verfügung, die über Ihr Login-Konto überwacht werden kann. Bitte bewahren Sie es für zukünftige Referenz auf. Reparaturen oder Ersatzlieferungen ohne vorherige Genehmigung oder in einer nicht autorisierten Reparaturwerkstatt fallen nicht unter diese Garantie. Wir haben Garantiausschlüsse für Kunden außerhalb des Vereinigten Königreichs, bitte beachten Sie unsere vollständigen AGB.

Garantiausschlüsse

DIESE GARANTIE DECKT FOLGENDES NICHT AB:

NORMALE ABNUTZUNG

Ihr Produkt benötigt regelmäßige Teile und Service, um eine gute Leistung zu erbringen. Diese Garantie deckt keine Reparatur ab, wenn der normale Gebrauch die Lebensdauer eines Teils oder des Geräts als Ganzeserschöpfthet.

INSTALLATION, NUTZUNG UND WARTUNG

Diese Garantie erlischt und (oder) gilt nicht für Teile oder Arbeit, wenn Davon ausgegangen wird, dass Ihr Produkt missbraucht, vernachlässigt, in einen Unfall verwickelt, missbraucht, über die Grenzen hinaus überlastet, modifiziert, unsachgemäß installiert oder falsch an eine elektrische Komponente oder ein System zum Aufladen der Batterie angeschlossen wurde. Die Wartung während des normalen Zeitraums ist nicht durch diese Garantie abgedeckt.

Sonstige Ausschlüsse

Diese Garantie schließt Ausschlüsse:

kosmetische Defekte wie Farbe, Aufkleber oder Zubehörwerkzeuge

Ersatzteile einschließlich Klingen, Schnur, Ketten, Stangen oder Taschen

alle elektrischen Komponenten mit Ausnahme der Hauptsteuerinheit wie Sicherungen, Anschlüsse, Zifferblätter, Knöpfe oder Hebel.

Ausfälle aufgrund höherer Gewalt und andere Ereignisse höherer Gewalt, die außerhalb der Kontrolle des Herstellers liegen

Probleme, die durch Teile verursacht werden, die nicht original sind

Änderung oder Modifikation(en), die von einer anderen Partei als dem Hersteller vorgenommen wurde(n)

elektrische Geräte von Drittanbietern

Alle Batterien werden über 1 Jahr alt geliefert.

Grenzen der stillschweigenden Gewährleistung und Folgeschäden

BPE Holdings (Warrior Eco Power Equipment) lehnt jede Verpflichtung ab, Zeitverluste, die Nutzung dieses Produkts, Fracht oder neben- oder Folgekosten durch Personen, die dieses Produkt verwenden, zu decken.

DIESE GARANTIE TRITT AN DIE STELLE ALLER ANDEREN AUSDRÜCKLICHEN ODER STILLSCHWEIFENDEN GEWÄHRLEISTUNGEN, EINSCHLIEßLICH GARANTIEEN DER MARKTGÄNGIGKEIT ODER EIGNUNG FÜR EINEN BESTIMMTEN ZWECK.

Eine Einheit, die als Austausch zur Verfügung gestellt wird, unterliegt der Garantie des Originalgeräts. Die Garantiedauer für das ausgetauschte Gerät wird weiterhin unter Bezugnahme auf das Kaufdatum des Originalgeräts berechnet. Diese Garantie gibt Ihnen bestimmte gesetzliche Rechte, die sich von Land zu Land ändern können. Ihr Land kann auch andere Rechte haben, die Ihnen möglicherweise zustehen, die nicht in dieser Garantie aufgeführt sind.

WARRIOR[®]
ECO POWER EQUIPMENT

MANUEL DU PROPRIÉTAIRE

**CHARGEUR #WEP8370BC
BATTERIE #WEP8301-2.5**



BATTERIE LITHIUM-ION RECHARGEABLE ET CHARGEUR

Lisez attentivement toutes les règles et instructions de sécurité avant d'utiliser cet outil.

REV 20211220

CARACTÉRISTIQUES

CARACTÉRISTIQUES

Batterie	
Batterie	WEP8301-2.5
Capacité de la batterie	Lithium-Ion 2.0/2.5/4.0Ah
Temps de charge	de 67 à 150 minutes
Poids	1.54-2.09lb (0.7-0.95kg)

Charger	
Chargeur	WEP8370BC
Entrée	120-240VAC, 50/60Hz
Sortie	42VDC, 2.2A
Poids	1.2lbs (0.55kg)

INFORMATION SUR LA SÉCURITÉ

Pour une utilisation, un entretien et un stockage appropriés de cette batterie, il est important que vous lisiez et compreniez les instructions données dans ce manuel.

Pour éviter des blessures graves, un risque d'incendie, d'explosion et un danger de choc électrique ou d'électrocution :-

- Ne sondez pas le chargeur avec des matériaux conducteurs. Les bornes de charge supportent 120-240 V.
- Si le boîtier de la batterie est fissuré ou endommagé, NE l'insérez PAS dans le chargeur. Remplacez la batterie.
- Ne chargez pas cette batterie avec un autre type de chargeur.
- Ne laissez pas de liquide pénétrer à l'intérieur du chargeur.
- N'essayez pas d'utiliser le chargeur à d'autres fins que celles présentées dans ce manuel.

AVERTISSEMENT

Si le liquide de la batterie pénètre dans vos yeux, rincez immédiatement à l'eau claire pendant au moins 15 minutes. Consultez immédiatement un médecin. Ne chargez pas la batterie sous la pluie ou dans des conditions humides. Ne plongez pas l'outil, la batterie ou le chargeur dans l'eau ou tout autre liquide..

CONSIGNES DE SÉCURITÉ ET PRÉCAUTIONS

1. Ne démontez pas la batterie.
2. Tenez à l'écart des enfants.
3. N'exposez pas la batterie à l'eau ou à l'eau salée et stockez la batterie dans un environnement frais et sec.
4. Ne placez pas la batterie dans des endroits à haute température, comme près d'un feu, d'un radiateur, etc.
5. N'inversez pas la borne positive et la borne négative de la batterie.

6. Ne connectez pas la borne positive et la borne négative de la batterie l'une à l'autre avec des objets métalliques.
7. Ne cognez, ne frappez ou ne marchez pas sur la batterie.
8. Ne soudez pas directement sur la batterie et ne percez pas la batterie avec des clous ou d'autres objets pointus.
9. Dans le cas où la batterie fuit et que le liquide pénètre dans l'œil, ne vous frottez pas l'œil. Rincez bien à l'eau. Cessez immédiatement d'utiliser la batterie si celle-ci émet une odeur inhabituelle, si elle est chaude, change de couleur, change de forme ou semble anormale de toute autre manière



AVERTISSEMENT

Pour éviter tout risque d'incendie, de choc électrique ou d'électrocution :

- N'utilisez pas de chiffon humide ou de détergent sur la batterie ou le chargeur de batterie.
- Retirez toujours la batterie avant de nettoyer, d'inspecter ou d'effectuer tout entretien sur l'outil.

FR

BATTERIE

- Ne laissez pas la batterie ou le chargeur surchauffer. S'ils sont chauds, laissez-les refroidir. Rechargez uniquement à température ambiante.
- Gardez les fentes de ventilation du chargeur dégagées.
- Ne laissez pas de petits objets métalliques ou des matériaux tels que de la laine d'acier, du papier d'aluminium ou d'autres particules étrangères pénétrer dans la cavité du chargeur.
- Débranchez le chargeur avant de le nettoyer et lorsqu'il n'y a pas de batterie dans ce dernier.
- Ne laissez pas la batterie au soleil ou dans un environnement chaud pendant de longues périodes.
- N'essayez pas de connecter deux chargeurs ensemble.
- Les cellules de la batterie peuvent développer une petite fuite dans des conditions d'utilisation ou de température extrêmes.
- Si la batterie n'est pas utilisée pendant 3 mois ou plus, stockez-la dans un environnement à

BATTERIE

température ambiante. Chargez-la complètement avant le stockage.

- Si le sceau extérieur est brisé et que la fuite touche votre peau :
- Lavez-vous immédiatement à l'eau et au savon.
- Neutralisez avec du jus de citron, du vinaigre ou un autre acide doux.
- Si une fuite pénètre dans vos yeux, suivez les instructions ci-dessus et consultez un médecin.

VÉRIFICATION DE LA CAPACITÉ DE LA BATTERIE

Remarque : la batterie n'est pas expédiée complètement chargée. Il est recommandé de la charger complètement avant la première utilisation pour garantir une durée de fonctionnement maximale. Cette batterie lithium-ion ne développera pas de mémoire et pourra être rechargée à tout moment. Une batterie complètement déchargée prendra le temps imparti comme indiqué dans la partie Caractéristiques de ce manuel.

Appuyez sur le bouton indicateur de capacité de la batterie. Les voyants LED s'allumeront en fonction du niveau de puissance actuel de la batterie. Voir le tableau ci-dessous :



Voyants	Capacité
4 vert LED sont allumées	La batterie a plus de 70 % de capacité
4 bleu LED sont allumées	La batterie est entre 35 % et 70 % de capacité
4 rouge LED sont allumées	La batterie a entre 0 % et 35 % de capacité
4 rouge LED clignotent	La batterie doit être rechargée immédiatement

ATTENTION

N'utilisez pas de solvants ou de détergents puissants sur le boîtier en plastique ou les composants en plastique. Certains nettoyeurs ménagers peuvent causer des dommages et peuvent également provoquer un risque d'électrocution.

AVERTISSEMENT

ÉLIMINATION DE LA BATTERIE RESPECTUEUSE DE L'ENVIRONNEMENT

Les matériaux toxiques et corrosifs suivants se trouvent dans les batteries utilisées dans cette batterie d'outils Li-ion, un matériau toxique..

AVERTISSEMENT

Tous les matériaux toxiques doivent être éliminés d'une manière spécifique pour éviter la contamination de l'environnement. Avant de mettre au rebut des batteries lithium-ion endommagées ou usées, contactez votre agence locale d'élimination des déchets ou l'agence locale de protection de l'environnement pour obtenir des informations et des instructions spécifiques. Apportez les batteries à un centre de recyclage et/ou d'élimination local, certifié pour l'élimination des batteries Li-ion.

AVERTISSEMENT

Si la batterie se fissure ou se brise, avec ou sans fuite, ne la rechargez pas et ne l'utilisez pas. Éliminez-la de manière appropriée et remplacez-la par une nouvelle batterie. N'ESSAYEZ PAS DE LA RÉPARER ! Pour éviter les blessures et les risques d'incendie, d'explosion ou de choc électrique, et pour éviter d'endommager l'environnement

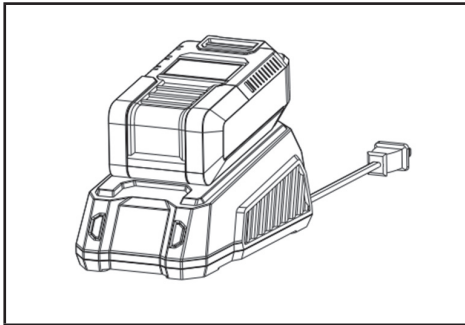
- Couvrez les bornes de la batterie avec du ruban adhésif résistant
- N'essayez PAS de retirer ou de détruire l'un des composants de la batterie
- N'essayez PAS d'ouvrir la batterie
- Si une fuite se développe, les électrolytes libérés sont corrosifs et toxiques. NE mettez PAS la solution dans les yeux ou sur la peau et ne l'avalez PAS
- NE placez PAS la batterie dans vos ordures ménagères ordinaires
- NE l'incinérerez PAS
- NE jetez PAS la batterie là où elle fera partie d'une décharge de déchets ou d'un flux de déchets urbains solides
- Apportez-la à un centre de recyclage ou d'élimination certifié

CHARGEUR DE BATTERIE

⚠ AVERTISSEMENT

REMARQUE: la batterie n'est pas expédiée complètement chargée. Il est recommandé de la charger complètement avant la première utilisation pour garantir une durée de fonctionnement maximale. Cette batterie lithium-ion ne développera pas de mémoire et pourra être rechargée à tout moment.

PROCÉDURE DE CHARGE



	LED STATUS	LA DESCRIPTION
	Vert clignotant	Charge en cours
	Vert fixe	Entièrement chargé
	Rouge fixe	Veille
	Rouge clignotant (rapide)	Batterie en surchauffe
	Rouge clignotant (lent)	Défaut de charge

Remarque sur les faux défauts:

Lorsque la batterie est insérée dans le chargeur et que la LED d'état clignote en ROUGE, retirez la batterie du chargeur pendant 1 minute, puis réinsérez-la. Si la LED d'état clignote en VERT, la batterie se charge correctement. Si la LED d'état clignote toujours en ROUGE, retirez la batterie et débranchez le chargeur pendant 1 minute. Après 1 minute, branchez le chargeur et réinsérez la batterie. Si la LED d'état clignote en VERT, la batterie se charge correctement. Si la LED d'état clignote toujours en ROUGE, la batterie est défectueuse et doit être remplacée.

VÉRIFICATION DE LA CHARGE

Si la batterie ne se charge pas correctement :

Vérifiez le courant à la prise de courant avec un autre outil. Assurez-vous que la prise n'est pas éteinte.

Vérifiez que les contacts du chargeur n'ont pas été court-circuités par des débris ou des corps étrangers.

Si la température de l'air est supérieure à 104 °F ou inférieure à 45 °F, déplacez le chargeur et la batterie dans un endroit à température ambiante.

⚠ AVERTISSEMENT

Si la batterie est insérée dans le chargeur lorsqu'elle est tiède ou chaude, le voyant LED DE CHARGE du chargeur peut s'allumer en ROUGE. Si cela se produit, laissez la batterie refroidir à l'intérieur du chargeur pendant 30 minutes. La charge devrait démarrer automatiquement une fois la batterie refroidie.

FR

MONTAGE DU CHARGEUR

1. Ce chargeur peut être fixé au mur à l'aide de deux vis #8 (non incluses).
2. Localisez l'emplacement du chargeur à fixer au mur.
3. Si vous le fixez à des montants en bois, utilisez deux vis à bois (non incluses).
4. Percez deux trous au centre à 5,5 pouces l'un de l'autre en vous assurant qu'ils soient alignés verticalement.
5. En cas de fixation sur des cloisons sèches, utilisez des chevilles murales (non incluses) et des vis pour fixer le chargeur au mur.

Remarque : si la batterie et le chargeur ne seront pas utilisés pendant une longue période, retirez la batterie du chargeur et débranchez la prise d'alimentation CA.

ENTRETIEN



AVERTISSEMENT

Afin d'éviter les blessures et les risques d'incendie et de choc électrique, retirez la batterie avant de régler, d'inspecter ou de nettoyer le souffleur.

Nettoyage

Retirez la batterie.

- Brossez ou soufflez la poussière et les débris hors des bouches d'aération à l'aide d'air comprimé ou d'un aspirateur. Gardez les bouches d'aération exemptes d'obstructions, de sciure de bois et de copeaux de bois. Ne vaporisez, ne lavez ou n'immergez pas les bouches d'aération dans l'eau.
- Essuyez le boîtier et les composants en plastique à l'aide d'un chiffon humide et doux. N'utilisez pas de solvants ou de détergents puissants sur le boîtier en plastique ou les composants en plastique. Certains produits de nettoyage ménagers peuvent causer des dommages et un risque d'électrocution.

Batterie

- Rangez la batterie une fois celle-ci complètement chargée.
- Une fois que le voyant du chargeur devient vert fixe, retirez la batterie du chargeur et débranchez le chargeur de la prise.
- Ne stockez pas la batterie sur l'outil.
- Après la charge, la batterie peut être stockée dans le chargeur, tant que le chargeur n'est pas branché.

Entretien du chargeur

Gardez le chargeur propre et exempt de débris. Ne laissez pas de corps étrangers pénétrer dans la cavité encastrée ou sur les contacts. Essayez le chargeur avec un chiffon doux et sec. N'utilisez pas de solvants ou d'eau et ne placez pas le chargeur dans des conditions humides.

Débranchez le chargeur lorsqu'il n'y a pas de batterie dedans.

Chargez complètement les batteries avant de les ranger.

Conservez le chargeur à température ambiante normale. Ne le stockez pas dans une chaleur excessive. N'utilisez pas le chargeur en plein soleil. Rechargez à température ambiante entre 45 °F et 104 °F (7 °C et 40 °C). Si la

batterie est chaude, laissez-la refroidir à l'intérieur du chargeur. La batterie commencera à se charger une fois qu'elle sera revenue à température ambiante.



ATTENTION

Cet appareil est conforme à l'article 15 des règlements de la FCC. L'exploitation est soumise aux deux conditions suivantes :

1. Cet appareil ne doit pas provoquer d'interférences nuisibles.
2. Cet appareil doit accepter toute interférence reçue, y compris les interférences pouvant causer un fonctionnement non souhaité.

GARANTIE

Retours

Nous offrons une garantie de remboursement de 30 jours sans équivoques pour toutes les marchandises expédiées correctement qui ne sont pas nécessaires. L'acheteur sera responsable des frais de retour et d'emballage et tous les frais d'expédition d'origine ne sont pas remboursables. Les marchandises doivent être retournées dans un état approprié à la revente et, si possible, doivent être retournées dans leur emballage d'origine.

Les marchandises qui sont fabriquées spécifiquement pour une commande et expédiées correctement ne peuvent pas être retournées.

Si le mauvais article est reçu, il incombe à l'acheteur de nous en informer par écrit dans les 7 jours suivant la réception. Des dispositions seront alors prises pour que l'article incorrect soit récupéré et qu'un article de remplacement soit expédié.

Conditions de garantie

Chez Warrior, nous comprenons l'importance de la garantie pour le service et la réparation, nous offrons une garantie standard de 3 ans (outils uniquement) et 1 an (batterie uniquement) sans qu'il soit nécessaire d'enregistrer votre achat.

Veuillez consulter les limitations ci-dessous et lire les conditions générales complètes concernant la garantie offerte sur un produit particulier.

Tout ce dont nous avons besoin est soit une copie de la preuve d'achat originale, soit une facture fournie par le détaillant au moment de l'achat pour permettre la réclamation. Veuillez conserver votre preuve d'achat en lieu sûr pendant la durée de vos conditions, dans le cas où vous auriez besoin de notre support technique, nous vous demanderons de le fournir sur chaque réclamation, AUCUNE preuve d'achat, aucune réclamation au titre de la garantie ne sera retardée ou rejetée.

Les frais de transport de tout produit ou pièce(s) soumis pour réparation ou remplacement en vertu de cette garantie sont à la charge exclusive de l'acheteur. Cette garantie s'applique uniquement à l'acheteur original et n'est pas transférable.

Ne retournez pas l'unité au lieu d'achat

Contactez le support technique et nous résoudrons tout problème par téléphone ou par e-mail. Si le problème n'est pas résolu par cette méthode, nous autoriserons, à discrétion, une évaluation, une réparation ou un remplacement du produit, des pièces ou des composants défectueux dans notre propre atelier de centre de service. Si et quand un produit doit être remplacé, dans la plupart des cas, ce sera sur une base comparable et non pas un ancien pour un nouveau. Nous vous fournirons un numéro de dossier pour le service de garantie et cela peut être contrôlé via votre compte de connexion. Veuillez le conserver pour référence future. Les réparations ou les remplacements sans autorisation préalable, ou dans un centre de réparation non autorisé, ne seront pas couverts par cette garantie. Nous avons des exclusions de garantie pour les clients en dehors du Royaume-Uni, veuillez consulter nos conditions générales complètes.

Exclusions de Garantie

CETTE GARANTIE NE COUVRE PAS CE QUI SUIT :

USURE NORMALE

Votre produit a besoin de pièces et d'un service périodique pour bien fonctionner. Cette garantie ne couvre pas la réparation lorsque l'utilisation normale a épuisé la durée de vie d'une pièce ou de l'équipement dans son ensemble.

INSTALLATION, UTILISATION ET ENTRETIEN

Cette garantie sera annulée et (ou) ne s'appliquera pas aux pièces ou à la main-d'œuvre si votre produit est réputé avoir été mal utilisé, négligé, impliqué dans un accident, abusé, surchargé au-delà des limites, modifié, installé de manière incorrecte ou connecté de manière incorrecte à tout composant ou système de charge de la batterie. L'entretien normal n'est pas couvert par cette garantie.

Autres exclusions

Cette garantie exclut

- Défauts cosmétiques tels que peinture, décalcomanies, autocollants ou outils accessoires
- Pièces de rechange, y compris les lames, les cordes, les chaînes, les barres ou les sacs
- Tout composant électrique autre que l'unité de commande principale comme les fusibles, les connecteurs, les cadrans, les boutons ou les leviers.
- Les défaillances dues à des cas fortuits et à d'autres événements de force majeure indépendants de la volonté du fabricant
- Problèmes causés par des pièces qui ne sont pas d'origine
- Altération ou modification(s) apportée(s) par toute partie autre que le fabricant
- Tout équipement électrique tiers

Toutes les piles fournies ont plus d'un an.

Limites de la garantie implicite et des dommages indirects

BPE Holdings (Warrior Eco Power Equipment) décline toute obligation de couvrir toute perte de temps, d'utilisation de ce produit, de fret ou tout coût de réclamation accessoire ou consécutif par toute personne utilisant ce produit.

CETTE GARANTIE REMPLACE TOUTES LES AUTRES GARANTIES, EXPRESSES OU IMPLICITES, Y COMPRIS LES GARANTIES DE QUALITÉ MARCHANDE OU D'ADAPTATION À UN USAGE PARTICULIER.

Une unité fournie en échange sera soumise à la garantie de l'unité d'origine. La durée de la garantie de l'unité échangée restera calculée par référence à la date d'achat de l'unité d'origine. Cette garantie vous donne certains droits légaux qui peuvent changer d'un pays à l'autre. Votre pays peut également avoir d'autres droits auxquels vous pourriez avoir droit et qui ne sont pas répertoriés dans cette garantie.

FR



LITIUMJON- BATTERILADDARE

SPARA DESSA INSTRUKTIONER. Denna bruksanvisning innehåller viktiga säkerhetsåtgärder som ska läsas och förstås innan produkten används. Underlåtenhet att göra detta kan leda till allvarliga personskador. Denna bruksanvisning bör förbli hos produkten.

Specifikationer, beskrivningar och illustrationer i denna bruksanvisning är så exakta som möjligt vid tidpunkten för publicering, men kan ändras utan föregående meddelande.

PRODUKTSPECIFIKATIONER

BATTERI	
Batteripaket	WEP8301-2.5
Batterikapacitet :	2.0/2.5/4.0Ah Lithium-Ion
Laddningstid	From 67 to 150 minutes
Vikt	1.54-2.09lbs (0.7-0.95kg)

BATTERILADDARE	
Batteriladdare	WEP8370BC
Input	120-240VAC, 50/60Hz
Output:	42VDC, 2.2A
Vikt	1.2lbs (0.55kg)

SE

ALLMÄNNA SÄKERHETSREGLER

För korrekt användning, underhåll och lagring av detta batteri är det viktigt att du läser och förstår instruktionerna i denna handbok.

För att undvika allvarliga skador, risk för brand, explosion och fara för elektrisk stöt eller elektrisk stöt -

- Sök inte laddaren med ledande material. Laddningsterminalerna håller 120-240V.
- Om batteripaketet är knäckt eller skadat, sätt INTE in det i laddaren. Ersätt batteripaketet.
- Ladda inte dessa batteripaket med någon annan typ av laddare
- Låt inte vätska vara inne i laddaren.
- Försök inte att använda laddaren för något annat ändamål än vad som beskrivs här.

WARNING

Om batterivätskan rör ögonen, spola genast med rent vatten i minst 15 minuter. Sök omedelbart läkarhjälp. Ladda inte batteriet i regn eller under våta förhållanden. Sänk inte ner verktyget, batteriet eller laddaren i vatten eller annan vätska.

SÄKERHETSNOTER OCH ANVISNINGAR

1. Demontera inte batteriet.
2. Håll det borta från barn.
3. Utsätt inte batteriet för vatten eller saltvatten och förvara batteriet i sval och torr miljö.
4. Placera inte batteriet på platser med hög temperatur, till exempel nära en eld, varmare etc.
5. Vänd inte batteriets positiva terminal och negativa terminal.
6. Anslut inte den positiva terminalen och den negativa terminalen på batteriet till varandra med några metallföremål
7. Slå inte eller kliv inte på batteriet
8. Löd inte direkt på batteriet eller genomträng batteriet med spikar eller andra vassa föremål.

9. Om batteriet läcker och vätskan kommer in i ögon, gnugga inte ögat. Skölj väl med vatten. Sluta omedelbart använda batteriet om batteriet avger en ovanlig lukt känns varm, ändrar färg, ändrar form eller verkar onormal på något annat sätt.

WARNING

För att undvika risk för brand, elektrisk stöt eller elektroktion

- Använd inte en fuktig trasa eller tvättmedel på batteriet eller batteriladdaren
- Ta alltid bort batteriet innan du rengör, inspekterar eller utför något underhåll på verktyget.

BATTERI

- Låt inte batteriet eller laddaren överhettas. Om de är varma, låt dem svalna. Ladda bara vid rumstemperatur.
- Håll laddarens ventilationsspår fria.
- Låt inte små metallföremål eller material som stålull, aluminiumfolie eller andra främmande partiklar in i laddarkaviteten.
- Koppla ur laddaren innan rengöring och när det inte finns något batteripaket i laddaren.
- Lämna inte batteriet i direkt solljus eller i en varm miljö under längre tid.
- Försök inte ansluta två laddare till varandra.
- Batteripackens celler kan utveckla en liten läcka under extrema temperaturförhållanden
- Om batteriet inte ska användas på tre månader eller mer, förvara batteriet i rumstemperatur eller under miljö. Ladda helt före lagring
- Om den yttre tätningen är trasig och läckaget kommer på din hud:
- Tvätta omedelbart med tvål och vatten.
- Neutralisera med citronsaft, vinäger eller annan mild syra
- Om läckage når ögonen, följ instruktionerna ovan och sök läkare

KONTROLL AV BATTERIKAPACITET

Notera: Batteriet levereras inte fulladdat. Det rekommenderas att ladda helt före första användningen för att säkerställa att maximal körtid kan uppnås.

Detta litiumjonbatteri kan laddas när som helst. Ett helt urladdat batteri tar den tilldelade tiden som anges i specifikationsdelen i denna manual

Tryck på batterikapacitetsknappen. LED-lamporna tänds enligt batteriets nuvarande effektnivå.

Se diagram nedan:



Lights	Capacity
Solid grön	Batteriet har mer än 70% kapacitet
Solid blå	Batteriet har mellan 35% och 70% kapacitet
Solid Röd	Batteriet har mellan 0% och 35% kapacitet
Blinkning Röd	Batteriet måste laddas omedelbart

VIKTIG

Använd inte starka lösningsmedel eller tvättmedel på plasthuset eller plastkomponenterna. Vissa hushållsstädare kan orsaka skador och kan också orsaka chockrisk.

VARNING

MILJÖSÄKERT BATTERIERFÖRSLAG

Följande giftiga och frätande material finns i de använda batterierna.

VARNING

Alla giftiga material måste kasseras på ett specificerat sätt för att förhindra kontaminering av miljön. Innan du bortskaffar skadade eller slitna litiumjonbatterier ska du kontakta ditt lokala avfallsföretag eller den lokala miljöskyddsbyrån för information och specifika instruktioner. Ta batterierna till ett lokalt återvinnings- och / eller bortskaffningscenter, certifierat för Li-ion-bortskaffande.

VARNING

Om batteripaketet spricker eller går sönder, med eller utan läckor, ladda inte upp det och använd det inte. Kassera det ordentligt och ersätt det med ett nytt batteri.

För att undvika skador och risk för brand, explosion eller elektrisk stöt och för att undvika skador på miljön:

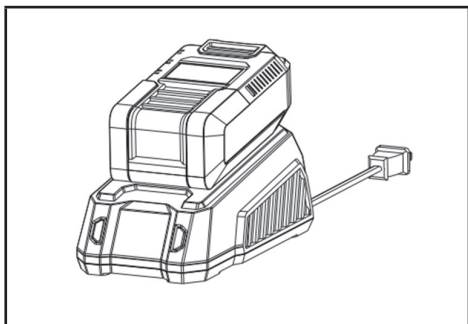
- Täck batteriets plintar med tung tejp
- Försök INTE ta bort eller förstöra någon av batteriets komponenter
- Försök INTE öppna batteriet
- Om en läcka utvecklas är de frigjorda elektrolyterna frätande och giftiga. Få INTE lösningen i ögonen eller på huden och svälj den inte
- Kassera INTE batterierna i ditt vanliga hushållsavfall
- Bränn INTE
- Placera INTE dem där de kommer att bli en del av deponiet för kommunalt fast avfall
- Ström
- Du SKALL ta dem till ett certifierat återvinnings- eller bortskaffningscenter

SE

BATTERILADDARE

LADDNINGSFÖRFARANDE

Observera: Batteriet levereras inte fulladdat. Det rekommenderas att ladda helt före första användningen för att säkerställa att maximal körningstid kan uppnås. Detta litiumjonbatteri kommer inte att utveckla ett minne och kan laddas när som helst.



	LED STATUS	DESCRIPTION
	Blinkning Grön	Laddning
	Solid Grön	Fulladdad
	Solid Röd	Stå vid makten
	Blinkning Röd(quick)	Över temperatur
	Blinkning Röd (slow)	Laddningsfel

Låg spänning laddning:

Om batteriet har lagrats med lite till ingen laddning under en lång tid, laddaren går i återställningsläge, vilket tar mer tid att ladda batteriet helt. Detta kommer att förbättra batteriets livslängd. När den är fulladdad återgår nästa laddning till standardladdning.

Ett helt urladdat batteri kräver den tilldelade tiden som anges i batterihandboken. Anslut laddaren till ett vägguttag.

Sätt i batteriet i laddaren.

Detta är en diagnostisk laddare. Laddarens LED-lampor tänds i specifik ordning för att kommunicera aktuell batteristatus

Felaktig anmärkning:

När batteriet sätts in i laddaren och statusindikatorn blinkar RÖD, ta bort batteriet från laddaren i 1 minut och sätt sedan in den igen.. Om status-LED blinkar GRÖN, laddar batteriet ordentligt. Om statuslampan fortfarande blinkar RÖD, ta bort batteriet och koppla ur laddaren

i 1 minut. Koppla in laddaren efter 1 minut och sätt i batteriet igen. Om status-LED blinkar GRÖN, laddar batteriet ordentligt. Om statuslampan fortfarande blinkar RÖD, är batteriet defekt och måste bytas ut.

Kontrollera laddningen

Om batteriet inte laddas ordentligt:

Kontrollera strömmen vid eluttaget med ett annat verktyg. Se till att uttaget inte är avstängt.

Kontrollera att laddarkontakterna inte har kortslutits med skräp eller främmande material.

Om lufttemperaturen är över 104 ° F eller under 45 ° F, flytta laddaren och batteripaketet till en rumstemperaturplats.

VARNING

Om batteriet sätts in i laddaren när det är varmt eller varmt kan lampan CHARGING LED på laddaren tändas och tändas RÖD. Om detta inträffar låt batteriet svalna inuti laddaren i upp till 30 minuter. Laddningen bör starta automatiskt när batteriet har svalnat.

LADDARE MONTERING

10. Denna laddare kan installeras hängande på en vägg med två # 8 skruvar (ingår inte).
11. Leta reda på placeringen för laddaren som ska monteras på väggen.
12. Använd fyra skruvar (ingår ej) om du fäster på träbultar.
13. Borra två hål på mitten 5,5 tum. Bortsett från att se till att de är vertikalt i linje.
14. Använd väggankare (ingår ej) och skruvar för att fästa laddaren på väggen vid fästning på gipsvägg.

Observera: Om batteriet och laddaren inte kommer att användas på länge tar du bort batteriet från laddaren och drar ut nätkontakten.

UNDERHÅLL



VARNING

För att undvika personskador och risken för brand och elektriska stötar, ta bort batteripaketet innan du justerar, inspekterar och rengör fläkten.

Städning

Ta bort batteriet.

- Borsta eller blåsa dammtunna skräp ur luftventilerna med tryckluft eller vakuüm. Håll luftventilerna fria från hinder, sågspån och flis. Spraya, tvätta eller fördjupa luftventilerna i vatten.
- Torka av höljet och plastkomponenterna med en fuktig, mjuk trasa. Använd inte starka lösningsmedel eller tvättmedel på plasthuset eller plastkomponenterna. Vissa hushållsstädare kan orsaka skador och orsaka chockrisk.

Batteripaket

- Förvara batteriet helt laddat
- När lampan på laddaren lyser grönt tar du bort batteriet från laddaren och kopplar ur laddaren från uttaget.
- Förvara inte batteriet på verktyget.
- Efter laddning kan batteriet förvaras i laddaren så länge laddaren inte är ansluten.

Laddareunderhåll

Håll laddaren ren och fri från skräp. Do not allow foreign material to get into the recessed cavity or onto the contacts. Torka av laddaren med en torr, mjuk trasa. Använd inte lösningsmedel eller vatten och placera inte laddaren under våta förhållanden. Koppla ur laddaren när det inte finns något batteripaket i den.

Ladda batterierna helt innan de placeras i förvaring.

Förvara laddaren vid normal rumstemperatur. Förvara den inte på överdriven värme. Använd inte laddaren i direkt solljus. Ladda upp vid rumstemperatur mellan 45 °F och 104 °F (7 °C och 40 °C). Om batteripaketet är varmt, låt det svalna inuti laddaren. Batteriet börjar laddas när det har återgått till rumstemperatur.

WARRANTY PAGE

Returns

We offer a no quibble 30 day money back guarantee for all goods shipped correctly that are not required. The buyer will be responsible for the return postage and packing charges and any original shipping charges are non refundable. Goods should be returned in a condition suitable for resale and where possible should be returned in their original packaging.

Goods which are manufactured specifically for an order and shipped correctly are not returnable.

If the wrong item is received it is the responsibility of the buyer to notify us in writing within 7 days of receipt. Arrangements will then be made for the incorrect item to be collected and a replacement item to be dispatched

Warranty

Warranty Qualifications

We at Warrior understand the importance of warranty for service & repair, we offer a standard 3 Year (Tools Only) & 1 year (Battery Only) warranty without the need for registering your purchase.

Please view the limitations below and read the full T&C's about the warranty offered on a particular product.

All we require is the either a copy of the original proof of purchase or an invoice supplied from retailer at the time of purchase to enable the claim to be raised. Please keep your proof of purchase safe for the duration of your terms, in the unfortunate event you need our technical support we will ask for this to be provided on each claim, NO proof of purchase any warranty claim will be delayed or rejected.

Transportation charges on any product or part(s) submitted for repair or replacement under this warranty are the sole responsibility of the purchaser. This warranty only applies to the original purchaser and is not transferable.

Do Not Return the Unit to the Place of Purchase

Contact Technical Support and we will troubleshoot any issue via phone or e-mail. If the problem or issue is not resolved by this method, we will, at its option, authorise an evaluation, repair or replacement of the defective product, part(s) or component at our own Service Centre workshop. If and when an product has to be replaced in most cases it will be on a like for like basis not old for new. We will provide you with a case number for warranty service and this can be monitored through your login account. Please keep it for future reference. Repairs or replacements without prior authorization, or at an unauthorized repair facility, will not be covered by this warranty. We do have warranty exclusions for customers outside the United Kingdom please see our full T&C's.

Warranty Exclusions

THIS WARRANTY DOES NOT COVER THE FOLLOWING:

NORMAL WEAR

Your product needs periodic parts and service to perform well. This warranty does not cover repair when normal use has exhausted the life of a part or the equipment as a whole.

INSTALLATION, USE AND MAINTENANCE

This warranty will be voided and (or) not apply to parts or labour if your product is deemed to have been misused, neglected, involved in an accident, abused, overloaded beyond the limits, modified, installed improperly or connected incorrectly to any electrical component or system for battery charging. Normal period maintenance is not covered by this warranty.

Other Exclusions

This warranty excludes:

- cosmetic defects such as paint, decals, stickers or accessory tools
- service parts including blades, string, chains, bars or bags
- any electrical component other than main control unit like fuses, connectors, dials, knobs or levers.
- failures due to acts of God and other force majeure events beyond the manufacturer's control
- problems caused by parts that are not original
- alteration or modification(s) made by any party other than the manufacturer
- any third party electrical equipment
- All batteries supplied Over 1 Year Old.

Limits of Implied Warranty and Consequential Damage

BPE Holdings (Warrior Eco Power Equipment) disclaims any obligation to cover any loss of time, use of this product, freight, or any incidental or consequential claim costs by anyone using this product.

THIS WARRANTY IS IN LIEU OF ALL OTHER WARRANTIES, EXPRESS OR IMPLIED, INCLUDING WARRANTIES OF MERCHANTABILITY OR FITNESS FOR A PARTICULAR PURPOSE.

A unit provided as an exchange will be subject to the warranty of the original unit. The length of the warranty governing the exchanged unit will remain calculated by reference to the purchase date of the original unit. This warranty gives you certain legal rights which may change from country to country. Your country may also have other rights you may be entitled to that are not listed within this warranty.

EC Declaration of Conformity

Supplier: Warrior Eco Power Equipment, Unit 17/18A Bradley Hall Trad Est, Standish,
Wigan, WN6 0XQ, United Kingdom

<u>Certificate No.</u>	190400193/195HZH-001
-------------------------------	----------------------

Equipment	40V CORDLESS BATTERY & CHARGER
Model	WEP8301 / WEP8370BC
Serial Number	

In accordance with the following directives:

Directive 2006/42/EC	The Machinery Directive
Directive 2011/65/EU & 2015/863	The Restriction of use of Certain Hazardous Substances in Electrical and Electronic Equipment
Directive 2014/30/EU	The Electromagnetic Compatibility Directive and its Amendments 92/31/EEC and 98/13/EC

In accordance with article(s) and standards:

EN 50636-2-100:2014,	EN 55014-1:2017	EN 62321-2:2014
EN 603351:2012+A11:2014+A13:2017	EN 55014-2:2015	EN 62321-3:2014
EN 60745-1:2009+A11:2010	EN 62233:2008	
EN 60745-2-13:2009+A1:2010	EN 62321-1:2013	

I hereby declare that the equipment named above has been designed and manufactured to comply with relevant sections of the above referenced specifications. The products comply with the essential requirements of the relevant directives. This certificate is only valid for the product(s) and configuration described in conjunction with details test data and with all applicable legal requirements of this product.

X 

Paul Bimson
Technical Manager

Date:	10/03/2020 15:28
Issuing Country:	United Kingdom



Winch Solutions Ltd
Unit 17/18 Bradley Hall Trading Estate
Bradley Lane
Standish
Wigan
GREATER MANCHESTER
UK
WN6 0XQ